



Spare Parts Catalog

8 HP 70 H SW

Material number: 1087.042.004

ZF Friedrichshafen AG

Hauptverwaltung

80038 Friedrichshafen

Deutschland

Telefon: +49 7541 77-0

Telefax: +49 7541 77-908000

www.zf.com

zuständiges Werk:

Saarbrücken



Pos.	Information	Amendment number
001	Use case -----	
002	Customer Bayerische Motoren Werke (BMW)	
003	City Muenchen	
004	DUNS 31-536-9934	
005	Vehicle / Apparatus -----	
006	Sales Name ACTIVE 7 HYBRID	
007	Manufacturer Bayerische Motoren Werke (BMW)	
008	Engineering Name F04	
009	Product Use CAR	
010	Vehicle/Hardware Type LIMOUSINE	
011	SOP	
012	Engine	
013	Sales Designation N63B44	
014	Manufacturer Bayerische Motoren Werke (BMW)	
015	Drivetrain type GAS	
016	Eng.Displ. 4400 cm3	
017	Cylinder 8	
018	Nom. power 330 kW	
019	RPM at nom. power 5400 1/min	
020	Nom. torque 650 Nm	
021	RPM at nom. torque 2000 1/min	
022	Classification use case -----	
023	REAR AXLE RATIO 2.81	
024	DYNAMIC TYRE RADIUS 341 mm	
029	Product description -----	
030	DESIGN, CONSTRUCTION STAGE SERIE	
032	CODE, CUSTOMER WL2	
034	Documents -----	
035	TRANSMISSION Drawing 1087.640.001	
036	Alias ID -----	
037	Bayerische Motoren Werke (BMW) 2400-7605238	

Assembly group overview

Material number: 1087.042.004

8 HP 70 H SW /

Page 1 from 2



Graphics	Pos.	Material number	Name	Quantity	Amend. no.	Techn. Info.
168.28.11-1	KIT	1087.198.988	MECHATRONIC	1		
	710	1087.040.002	8 HP 70 H	1		
	118	1087.101.747	GEARBOX HOUSING	1		
	120	1090.101.906	GEARBOX HOUSING	1		
	170	1091.102.806	INPUT	1		
	300	1087.103.813	OIL SUMP	1		
	228	1087.106.815	GEAR SHIFT SYSTEM	1		
	198	1087.110.801	OIL SUPPLY	1		
	900	1087.110.045	OIL SUPPLY	1		
	138	1087.114.821	OUTPUT	1		
	320	1087.322.188	CONVERTER	1		
	248	1087.124.851	PARKING LOCK	1		
	920	1090.126.803	MODULE	1		
	280	1087.127.900	MECHATRONIC	1		
	920	1087.127.845	CONTROL UNIT	1		
	278	1087.128.815	MECHATRONIC	1		
	980	1087.131.827	PLANETARY DRIVE	1		
	970	1087.132.820	PLANETARY DRIVE	1		
	960	1087.140.808	PLANETARY DRIVE	1		
	900	1087.142.823	PLANETARY DRIVE	1		
	900	1087.142.161	PLANETARY DRIVE	1		
	910	1087.151.028	VALVE PLATE	1		
	920	1087.170.815	COUPLING	1		
	950	1087.171.008	COUPLING	1		
	160	1087.172.816	COUPLING	1		
	910	1087.172.815	COUPLING	1		
	910	1087.173.806	COUPLING	1		
	920	1087.173.804	COUPLING	1		
	930	1102.175.800	COUPLING	1		
	940	1087.175.004	COUPLING	1		
	84	1087.192.010	CONSERVATION	1		

Assembly group overview

Material number: 1087.042.004

8 HP 70 H SW /

Page 2 from 2



Graphics	Pos.	Material number	Name	Quantity	Amend. no.	Techn. Info.
	62	1087.197.911	PACKING	1		
177.14.11-1	KIT	1091.298.005	OUTPUT FLANGE	1		
177.14.01-1	KIT	1091.298.004	OUTPUT	1		
177.01.11-1	KIT	1091.298.003	SMALL COMPONENTS SET	1		
168.28.21-1	KIT	1087.298.056	OILVOLUME ACCU	1		
168.06.01-1	KIT	1087.298.055	GEAR SHIFT SYSTEM	1		
168.03.01-1	KIT	1087.298.053	OIL SUMP	1		
168.22.01-1	KIT	1087.298.044	CONVERTER	1		
168.22.11-1	KIT	1087.298.007	SEAL KIT	1		
168.06.11-1	KIT	1087.298.004	EMERGENCY RELEASE	1		
009.g3.01-1	KIT	1043.298.121	CLOSING COMPONENTS	1		
	910	6058.008.065	E-MODUL 8-GANG	1		

Plant

Page 1 from 1

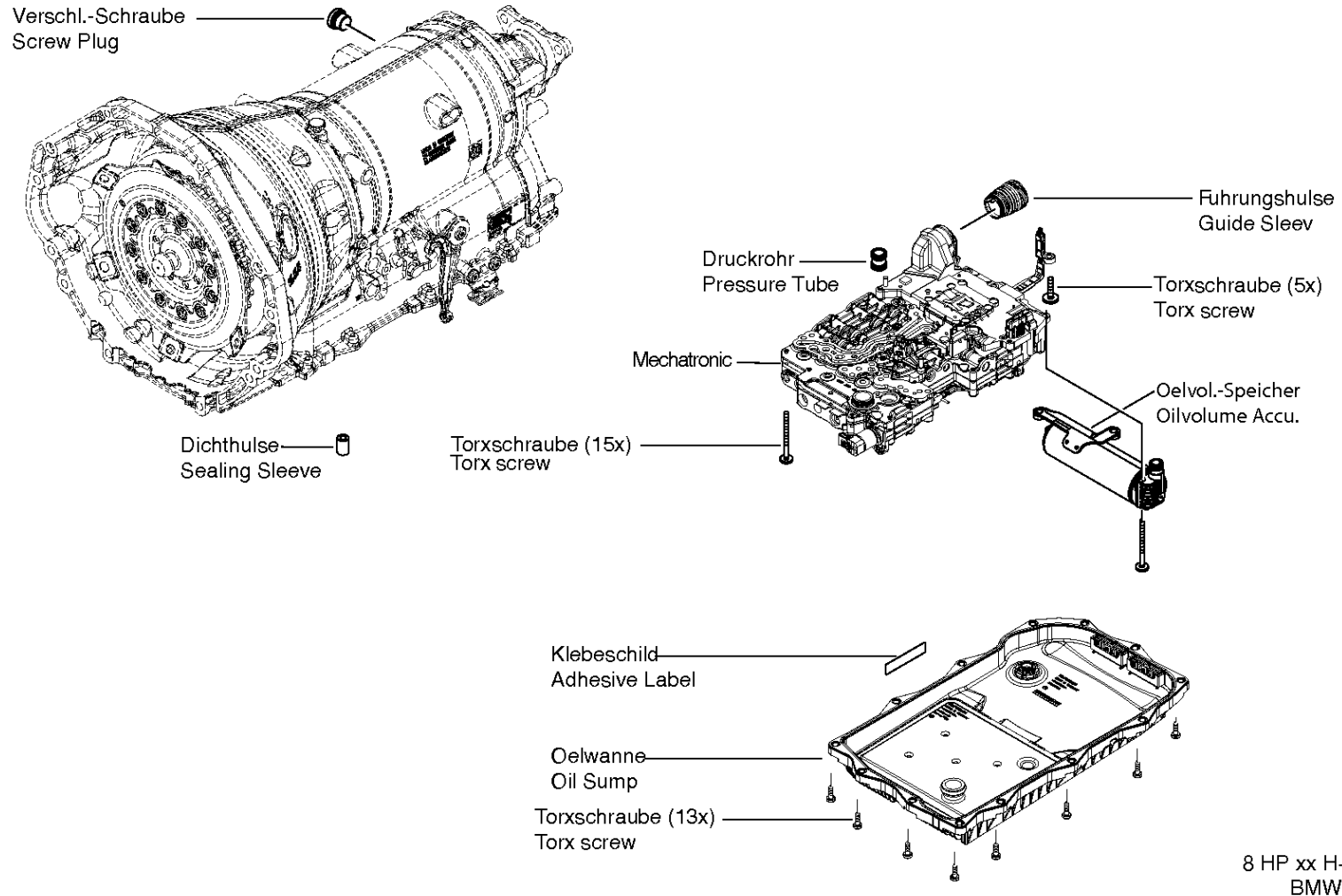
Material number: 1087.042.004

Plant: 168.28.11-1

Material-assembly-group-no: 1087.198.988

8 HP 70 H SW /

MECHATRONIC



Parts list

Page 1 from 1

Material number: 1087.042.004

8 HP 70 H SW /

Plant: 168.28.11-1

Material-assembly-group-no: 1087.198.988



Pos.	Material number	Customer material	Name	Quantity	ME	Amend. no.	Techn. Info.	Weight	Rep kit	Alternative material
20	1087.301.006		SEALING SLEEVE	1			B IN 1087 301 012(2)	0,002		
270	1087.128.430		MECHATRONIC	1			E*INT.EGS*MECH-S1* GD*HIS	7,500		
/910	1087.151.028		VALVE PLATE	1			E*MECH-S1*GD	0,000		
/910	6058.008.065		E-MODUL 8-GANG	1		Z00006410318	D2-MUSTER	0,600		
/920	1087.127.845		CONTROL UNIT	1			ANBAU	0,000		
/920	1090.126.803		MODULE	1		Z00006410318	ANBAU*INT EGS	0,000		
450	0736.101.348		TORX SCREW	15				0,015		
570	0736.101.375		TORX SCREW	5				0,002		
640	1087.227.004		PRESSURE TUBE	1			KPL.	0,010		
670	0501.216.364		GUIDE SLEEVE	1				0,017		
680	0501.327.294		OILVOLUME ACCU	1				1,157		
700	0637.900.038		PLUG	1				0,004		
720	6059.311.032		SOFTWARE	1			870J4610.HEX	0,000		
500	1087.298.053		OIL SUMP	1			8HP45/70*45/70X+HIS* 70H*BMW*	1,350		

Parts list

Page 1 from 3

Material number: 1087.042.004

8 HP 70 H SW /

Material-assembly-group-no: 1087.040.002



Pos.	Material number	Customer material	Name	Quantity	ME	Amend. no.	Techn. Info.	Weight	Rep kit	Alternative material
62	1087.197.911		PACKING	1			*SK902	0,000		
84	1087.192.010		CONSERVATION	1			KA 0/KI 1*ZFN916* PRUEFST. *8,070DM3 GE/WT	0,000		
118	1087.101.747		GEARBOX HOUSING	1			ANBAU	0,000		
120	1090.101.906		GEARBOX HOUSING	1			PRUEFLAUF	0,000		
138	1087.114.821		OUTPUT	1		Z00004272220	ANBAU	0,000		
160	1087.172.816		COUPLING	1			ANBAU I*B/5	0,000		
170	1091.102.806		INPUT	1			ANBAU* SCHWALBENSCHWAN Z	0,000		
198	1087.110.801		OIL SUPPLY	1			ANBAU	0,000		
228	1087.106.815		GEAR SHIFT SYSTEM	1			ANBAU	0,000		
248	1087.124.851		PARKING LOCK	1		Z00013127220	ANBAU	0,000		
278	1087.128.815		MECHATRONIC	1			ANBAU*SPT*INT.EGS* HIS *SK807	0,000		
280	1087.127.900		MECHATRONIC	1			PRUEFLAUF	0,000		
300	1087.103.813		OIL SUMP	1			ANBAU*N63B44 *SK812	0,000		
320	1087.322.188		CONVERTER	1		Z00006506010	228*V137	16,600		
900	1087.110.045		OIL SUPPLY	1				0,000		
900	1087.142.161		PLANETARY DRIVE	1			RS4*4PL.	0,000		
900	1087.142.823		PLANETARY DRIVE	1			ANBAU*RS4	0,000		
910	1087.151.028		VALVE PLATE	1			E*MECH-S1*GD	0,000		
910	1087.172.815		COUPLING	1			ANBAU II*B *SK811	0,000		
910	1087.173.806		COUPLING	1			ANBAU I*D/4 *SK805	0,000		
910	6058.008.065		E-MODUL 8-GANG	1		Z00006410318	D2-MUSTER	0,600		
920	1087.127.845		CONTROL UNIT	1			ANBAU	0,000		
920	1087.170.815		COUPLING	1			ANBAU*A5	0,000		
920	1087.173.804		COUPLING	1			ANBAU D*II *SK802	0,000		
920	1090.126.803		MODULE	1		Z00006410318	ANBAU*INT EGS	0,000		

Parts list

Page 2 from 3

Material number: 1087.042.004

8 HP 70 H SW /

Material-assembly-group-no: 1087.040.002



Pos.	Material number	Customer material	Name	Quantity	ME	Amend. no.	Techn. Info.	Weight	Rep kit	Alternative material
930	1102.175.800		COUPLING	1			ANBAU*C	0,000		
940	1087.175.004		COUPLING	1			C/6*SPT *SK003	0,000		
950	1087.171.008		COUPLING	1			E/5*DRAHTRINGLOESUNG	0,000		
960	1087.140.808		PLANETARY DRIVE	1			ANBAU*RS3*OPT.V1	0,000		
970	1087.132.820		PLANETARY DRIVE	1			ANBAU*RS2/4PL*V2	0,000		
980	1087.131.827		PLANETARY DRIVE	1			ANBAU*RS1/4PL.*V2	0,000		
710	1043.298.121		CLOSING COMPONENTS	1			OELKUEHLERANSCHLUSS*BMW*ALLE TYPEN BIS AUF 3HP*	0,040		
710	1087.298.004		EMERGENCY RELEASE	1			8HP45/70/90*45/70X*70H*BMW*8HP90*BENTLEY*KIT5	0,270		
710	1087.298.007		SEAL KIT	1			WANDLERBEREICH*8HP45/70*45/70X+HIS*70H*BMW*KIT8	0,250		
710	1087.298.044		CONVERTER	1			+DICHELEMENTE*8HP70H*BMW*	17,800		
710	1087.298.053		OIL SUMP	1			8HP45/70*45/70X+HIS*70H*BMW*	1,350		
710	1087.298.055		GEAR SHIFT SYSTEM	1			WDR+WAEHLWELLE+ETC.*8HP45/70*45/70X*8HP70H*BMW*	2,510		
710	1087.298.056		OILVOLUME ACCU	1			MIT BEF.-SCHRAUBEN, ETC.*8HP70H+HIS*BMW*	3,382		
710	1091.298.003		SMALL COMPONENTS SET	1			SCHR.+FÜHR-HÜLSE+ETC*8HP45/70/90+X+HIS+70H*BMW*8HP90*BENTLEY	0,160		

Parts list

Page 3 from 3

Material number: 1087.042.004

8 HP 70 H SW /

Material-assembly-group-no: 1087.040.002



Pos.	Material number	Customer material	Name	Quantity	ME	Amend. no.	Techn. Info.	Weight	Rep kit	Alternative material
710	1091.298.004		OUTPUT	1			WDR+BDM*8HP45/70/ 90*CHR*JAG*BMW* 8P70H*BMW*8HP90* BENTLEY*	0,154		
710	1091.298.005		OUTPUT FLANGE	1			+DICHELEMENTE* 8HP70/90*8HP70H* 8HP70HIS*BMW*KIT9	1,060		

Parts list

Page 1 from 1

Material number: 1087.042.004

8 HP 70 H SW /

Material-assembly-group-no: 1087.101.747



Pos.	Material number	Customer material	Name	Quantity	ME	Amend. no.	Techn. Info.	Weight	Rep kit	Alternative material
70	0501.314.851		BREATHER TUBE	1				0,006		
80	0501.314.809		BREATHER COVER	1				0,001		
100	0501.321.921		SCREW PLUG	1			M10X1	0,008		
120	0501.321.922		SCREW PLUG	1				0,032		
140	0501.326.152		PLUG	1				0,003		
840	0666.692.055		CODE LABEL	1				0,001		

Parts list

Page 1 from 1

Material number: 1087.042.004

8 HP 70 H SW /

Material-assembly-group-no: 1091.102.806



Pos.	Material number	Customer material	Name	Quantity	ME	Amend. no.	Techn. Info.	Weight	Rep kit	Alternative material
50	0735.368.318		AXIAL NEEDLE BEARING	1			50,8x81,0x4,0	0,041		
70	1087.231.187		RING GEAR	1		Z00006007710		2,304		
80	0501.327.284		ANGLE DISC	1				0,030		
170	0734.313.897		ROUND SEALING RING	1			23,52X1,78	0,003		

Parts list

Page 1 from 1

Material number: 1087.042.004

8 HP 70 H SW /

Material-assembly-group-no: 1087.103.813



Pos.	Material number	Customer material	Name	Quantity	ME	Amend. no.	Techn. Info.	Weight	Rep kit	Alternative material
10	0501.218.048		OIL SUMP	1				1,260		
/10	0501.324.810		GASKET	1				0,052		
/20	0501.323.928		O-RING	1				0,002		
/30	0501.325.941		SCREW PLUG	1				0,008		
20	0501.326.933		ADHESIVE LABEL	1				0,001		
30	0736.101.486		TORX SCREW	13				0,012		

Parts list

Page 1 from 1

Material number: 1087.042.004

8 HP 70 H SW /

Material-assembly-group-no: 1087.106.815



Pos.	Material number	Customer material	Name	Quantity	ME	Amend. no.	Techn. Info.	Weight	Rep kit	Alternative material
10	0734.319.801		SHAFT SEAL	1			10X18X5	0,002		
30	1087.206.019		SELECTOR SHAFT	1				0,060		
50	1087.206.028		PARKING LOCK DISC	1				0,107		
60	0501.324.683		CLAMPING SLEEVE	1				0,003		
90	1087.306.055		LEG SPRING	1				0,021		
130	1087.206.030		ANGLE BRACKET	1				0,101		
/110	1087.306.047		ANGLE BRACKET	1				0,063		
/120	1087.306.043		ANGLE BRACKET	1				0,021		
/130	---		HEXAGON BOLT	1			M6X18	0,000		
---	1087.306.044		HEXAGON BOLT	1				0,008		
/140	0501.326.132		RUBBER SOCKET	2				0,001		
/150	1068.306.074		BUSH	2			NOTENTRIEGELUNG* BMW	0,004		
170	0736.300.109		CAP SCREW	2			M6X15,8 M6X15,8	0,011		
180	1087.206.024		RELEASE LEVER	1				0,087		
210	1087.206.026		SCREW	1				0,016		

Parts list

Page 1 from 1

Material number: 1087.042.004

8 HP 70 H SW /

Material-assembly-group-no: 1087.110.801



Pos.	Material number	Customer material	Name	Quantity	ME	Amend. no.	Techn. Info.	Weight	Rep kit	Alternative material
10	1087.210.253		INTERMPLATE	1				3,722		
20	0735.298.399		NEEDLE SLEEVE	1			W-KAEFIG 33,0X39, 0x21,0	0,029		
30	0730.514.096		SNAP RING	1				0,004		
40	0501.218.885		PUMP	1				0,000		
60	0501.329.172		CHAIN	1				0,071		
80	1087.210.266		SPROCKET WHEEL	1			KPL. VERB.TOLERANZ	0,000		
/110	---		SPROCKET WHEEL	1			WTB	0,000		
/120	0501.326.875		UNDULATSPRING	1				0,700		
/130	0501.323.708		PISTON RING	1				0,007		
/140	0501.326.909		ANGLE DISC	1				0,010		
100	1087.210.354		CENTERING PLATE	1			KPL.	0,000		
110	0736.010.388		TORX SCREW	6			M6X24	0,003		
200	0734.313.893		ROUND SEALING RING	1			271X3	0,008		
210	---		SHIM	1			S= 2,00- 3,40(ABSTUFUNG:0,20MM)	0,000		
---	0501.324.915		SHIM	1			T=3,4 IN 0501 324 907(2)	0,028		
---	0501.324.914		SHIM	1			T=3,2	0,041		
---	0501.324.913		SHIM	1			T=3,0	0,039		
---	0501.324.912		SHIM	1			T=2,8	0,036		
---	0501.324.911		SHIM	1			T=2,6	0,033		
---	0501.324.910		SHIM	1			T=2,4	0,031		
---	0501.324.909		SHIM	1			T=2,2	0,028		
---	0501.324.908		SHIM	1			T=2,0	0,028		
230	0736.300.068		TORX SCREW	14			M8X70	0,013		

Parts list

Page 1 from 1

Material number: 1087.042.004

8 HP 70 H SW /

Material-assembly-group-no: 1087.114.821



Pos.	Material number	Customer material	Name	Quantity	ME	Amend. no.	Techn. Info.	Weight	Rep kit	Alternative material
10	0501.326.060		NEEDLE SLEEVE	1				0,104		
20	1087.314.026		SNAP RING	1				0,007		
30	0501.326.212		SEALING SLEEVE	1		Z00004272210		0,033		
34	1087.342.136		SNAP RING	1				0,007		
50	0735.300.104		BALL BEARING	1			35,0X72,0X17,0	0,290		
70	1087.314.023		SNAP RING	1				0,022		
90	0734.319.633		SHAFT SEAL	1				0,027		
100	0730.112.642		SHIM	1		Z00004272210	A=1,00	0,005		
120	1087.314.024		OUTPUT FLANGE	1			Z=43	0,865		
140	0501.327.252		SEALING RING	1			28X35,5X5,2	0,007		
160	0501.324.215		COLLAR NUT	1		Z00004272210	M27X1,5	0,053		

Parts list

Page 1 from 1

Material number: 1087.042.004

8 HP 70 H SW /

Material-assembly-group-no: 1087.322.188



Pos.	Material number	Customer material	Name	Quantity	ME	Amend. no.	Techn. Info.	Weight	Rep kit	Alternative material
	1087.322.188		CONVERTER	1		Z00006506010	228*V137	16,600		

Parts list

Page 1 from 1

Material number: 1087.042.004

8 HP 70 H SW /

Material-assembly-group-no: 1087.124.851



Pos.	Material number	Customer material	Name	Quantity	ME	Amend. no.	Techn. Info.	Weight	Rep kit	Alternative material
10	1087.324.022		PIN	1				0,055		
20	0501.321.922		SCREW PLUG	1				0,032		
40	1087.324.074		PAWL	1				0,243		
60	1087.324.099		LEG SPRING	1				0,008		
80	1087.224.030		CONNECTING BAR	1				0,093		
110	1087.324.139		GUIDING PLATE	1				0,083		
120	1087.324.045		HEXALOBULAR DRIVING SCREW	3			M6X20*PRECOTE 85-3	0,007		

Parts list

Page 1 from 1

Material number: 1087.042.004

8 HP 70 H SW /

Material-assembly-group-no: 1090.126.803



Pos.	Material number	Customer material	Name	Quantity	ME	Amend. no.	Techn. Info.	Weight	Rep kit	Alternative material
30	0736.101.354		TORX SCREW	5			M5X60 IN 0736 101 351(1)	0,010		
110	1087.227.028		WIRING HARNESS	1			8HP E-SCHALT PZYL HIS OHNE SCHLAUCH	0,051		
/100	6029.201.996		PLUG	1			8POL BU MLK KOSTAL 8HP	0,000		
/200	6029.207.902		PLUG	1			2POL ST MPQ 2.8 0,5/0,5	0,027		
/201	0659.120.090		LINE	480				0,000		
/202	0659.120.086		LINE	480				0,000		
/300	6029.201.997		PLUG	1			2POL BU SLK 2,8 GF30	0,000		
/301	0659.120.119		LINE	375				0,000		
/302	0659.120.196		LINE	375				0,000		
/6003	0659.145.056		INSULATING HOSE	190			4,5X0,5	0,000		
/9201	0501.324.947		BOTTOM	1			KABELKANAL	0,000		
/9202	0501.324.946		COVER	1			KABELKANAL	0,000		

Parts list

Page 1 from 1

Material number: 1087.042.004

8 HP 70 H SW /

Material-assembly-group-no: 1087.127.900



Pos.	Material number	Customer material	Name	Quantity	ME	Amend. no.	Techn. Info.	Weight	Rep kit	Alternative material
690	1068.227.022		VALVE	4				0,008		
710	1068.227.061		VALVE	1			KPL. IN 1060 227 018(2)	0,001		
730	1087.327.041		PISTON	1			SDB V	0,001		
740	0732.300.017		COMPRSPRING	1				0,002		
760	0501.216.254		SCREEN FILTER	1				0,001		
770	1068.327.098		BALL	6				0,149		
780	0501.311.653		SCREEN	1				0,002		
790	1068.327.143		SPHERICAL PIECE	1				0,001		
800	1068.227.039		PISTON	7				0,010		
820	1087.227.012		SUCTION CONNECTOR	1			KPL. *8HP* OELVERSORGUNG	0,017		
830	0501.227.048		INTERMEDIATE SHEET	1			E*E26/1/6*MECH-S1	0,271		
/10	1087.327.175		INTERMEDIATE SHEET	1			E*E26/1/6*MECH-S1	0,269		
/20	0501.324.233		GASKET	1			SIEBDRUCK	0,000		
840	0736.101.352		TORX SCREW	20				0,008		
850	1068.327.144		CAP	1				0,005		

Parts list

Page 1 from 1

Material number: 1087.042.004

8 HP 70 H SW /

Material-assembly-group-no: 1087.128.815



Pos.	Material number	Customer material	Name	Quantity	ME	Amend. no.	Techn. Info.	Weight	Rep kit	Alternative material
450	---		TORX SCREW	15			M6X59	0,000		
---	0736.101.348		TORX SCREW	15				0,015		
570	0736.101.375		TORX SCREW	4				0,002		
580	0736.101.375		TORX SCREW	1				0,002		
640	1087.227.004		PRESSURE TUBE	1			KPL.	0,010		
670	0501.216.364		GUIDE SLEEVE	1				0,017		
680	0501.327.294		OILVOLUME ACCU	1				1,157		

Parts list

Page 1 from 1

Material number: 1087.042.004

8 HP 70 H SW /

Material-assembly-group-no: 1087.131.827



Pos.	Material number	Customer material	Name	Quantity	ME	Amend. no.	Techn. Info.	Weight	Rep kit	Alternative material
10	1087.231.237		PLANETARY DRIVE	1		Z00011123710	KPL.RS1/4PL.*V2	0,000		
20	1087.331.027		SNAP RING	1				0,052		
30	1087.331.041		OIL TRAY	1				0,010		

Parts list

Page 1 from 1

Material number: 1087.042.004

8 HP 70 H SW /

Material-assembly-group-no: 1087.132.820



Pos.	Material number	Customer material	Name	Quantity	ME	Amend. no.	Techn. Info.	Weight	Rep kit	Alternative material
10	1091.232.040		PLANETARY DRIVE	1			KPL.RS2/4PL*OPT.V1* OPT.MAGNETR.	0,000		
20	1087.331.041		OIL TRAY	1				0,010		
30	1087.232.068		INPUT SHAFT	1		Z00007011010	KPL.	2,400		
/110	1087.332.122		INPUT SHAFT	1				2,407		
/120	1087.332.037		SEALING SLEEVE	1			3L WANDLER	0,019		
/130	0501.327.169		PLUG	1			VERLÄNGERT	2,510		
/140	0501.327.169		PLUG	1			VERLÄNGERT	2,510		
50	1087.332.048		SNAP RING	1				0,009		
60	0501.325.138		ANGLE DISC	1				0,024		
80	0501.327.948		PISTON RING	5			31,4X2	0,001		
90	0501.327.948		PISTON RING	2			31,4X2	0,001		
120	1087.332.095		SUN GEAR	1		Z00011123710	RS1*RS2	0,853		

Parts list

Page 1 from 1

Material number: 1087.042.004

8 HP 70 H SW /

Material-assembly-group-no: 1087.140.808



Pos.	Material number	Customer material	Name	Quantity	ME	Amend. no.	Techn. Info.	Weight	Rep kit	Alternative material
10	0501.327.470		AXIAL NEEDLE BEARING	1			50,8X67,5X4,0	0,029		
30	1087.340.011		SNAP RING	1			2X2 GRAD KONISCH	0,030		
50	1087.340.030		RING GEAR	1			RS3	0,658		
70	1087.340.011		SNAP RING	1			2X2 GRAD KONISCH	0,030		
100	1087.240.049		PLANETARY DRIVE	1				0,760		
120	0735.368.299		AXIAL NEEDLE BEARING	1			57,0X72,7X4,0	0,033		
140	1087.340.035		SNAP RING	1				0,052		
160	1091.240.017		SUN GEAR	1			KPL.RS3*OPT.V1	0,000		
170	0735.300.297		AXIAL NEEDLE BEARING	1			57,6X89,1X3,8	0,045		

Parts list

Page 1 from 1

Material number: 1087.042.004

8 HP 70 H SW /

Material-assembly-group-no: 1087.142.823



Pos.	Material number	Customer material	Name	Quantity	ME	Amend. no.	Techn. Info.	Weight	Rep kit	Alternative material
10	1087.242.213		OUTPUT SHAFT	1				3,870		
20	0501.324.816		PLUG	1				0,001		
26	1087.342.073		SEALING CAP	1				0,001		
30	0735.368.316		AXIAL NEEDLE BEARING	1			31,4X48,4X5,0	0,028		
80	0501.326.444		PIN	4				0,140		
90	0501.325.404		NEEDLE CAGE	4				0,065		
100	1087.342.268		PLANET GEAR	4			RS4	0,311		
110	1087.342.159		THRUST WASHER	8				0,010		
160	1087.342.160		SNAP RING	1			A=1,50	0,022		
180	0501.325.661		CYLINDER	1				0,271		
200	1087.342.270		RING GEAR	1			RS4	0,948		
220	1087.342.135		POT	1			RS1	0,852		
240	1087.342.052		SNAP RING	1			2X2 GRAD KONISCH	0,039		
270	0734.307.424		PISTON RING	2				0,001		

Parts list

Page 1 from 1

Material number: 1087.042.004

8 HP 70 H SW /

Material-assembly-group-no: 1087.151.028



Pos.	Material number	Customer material	Name	Quantity	ME	Amend. no.	Techn. Info.	Weight	Rep kit	Alternative material
10	1087.327.174		VALVE PLATE	1				2,020		
30	1087.327.043		PISTON	1			WD-V	0,008		
40	0732.041.921		COMPRSPRING	1				0,002		
60	1068.327.160		PLUG	1			ENTHALT.IN 1068 327 158(2)	0,004		
70	1068.327.021		SPRING CLAMP	1				0,005		
140	1085.327.010		PISTON	1			POSITIONS-VENTIL	0,003		
150	1085.327.009		PISTON	1			POSITIONS-VENTIL	0,010		
160	0732.300.050		COMPRSPRING	1				0,002		
170	1043.323.105		SUPPORT PLATE	1				0,002		
190	1087.327.238		PISTON	1		Z00012266810		0,006		
200	0732.300.159		COMPRSPRING	1		Z00012266810		0,002		
220	1043.323.105		SUPPORT PLATE	1				0,002		
240	1087.327.134		PISTON	1				0,006		
250	0732.041.856		COMPRSPRING	1				0,002		
270	1043.323.105		SUPPORT PLATE	1				0,002		
280	1087.327.130		PISTON	1				0,007		
310	0732.042.853		COMPRSPRING	1			HYDR. SCHALTGERAET	0,003		
320	1043.323.105		SUPPORT PLATE	1				0,002		
330	1087.327.130		PISTON	1				0,007		
350	0732.042.853		COMPRSPRING	1			HYDR. SCHALTGERAET	0,003		
360	1043.323.105		SUPPORT PLATE	1				0,002		

Parts list

Page 1 from 1

Material number: 1087.042.004

8 HP 70 H SW /

Material-assembly-group-no: 1087.170.815



Pos.	Material number	Customer material	Name	Quantity	ME	Amend. no.	Techn. Info.	Weight	Rep kit	Alternative material
10	1087.370.023		PISTON	1			A	0,163		
30	0501.324.937		LIP SEALING RING	1			129,9X139,9X3,9X2,5	0,007		
50	0501.324.936		LIP SEALING RING	1				0,005		
70	0501.324.776		CUP SPRING	1			A	0,110		
80	1087.370.014		SPLIT RING	1			A	0,016		
90	0501.327.470		AXIAL NEEDLE BEARING	1			50,8X67,5X4,0	0,029		
100	0501.323.623		ANGLE DISC	1				0,012		
110	---		SUN GEAR SHAFT	1			*8HP70	0,000		
120	0501.324.839		UNDULATSPRING	1				0,032		
130	1087.370.009		OCLUTCH DISC	5			A	0,083		
140	0501.324.212		FRICTION PLATE	5				0,035		
150	1087.370.010		OCLUTCH DISC	1			ENDLAMELLE A	0,138		
160	---		SNAP RING	1			S= 1,80- 3,00(ABSTUFUNG:0,20MM)	0,000		
---	0730.514.136		SNAP RING	1			A=3,00	0,046		
---	0730.514.135		SNAP RING	1			A=2,80	0,043		
---	0730.514.134		SNAP RING	1			A=2,60	0,040		
---	0730.514.133		SNAP RING	1			A=2,40	0,037		
---	0730.514.132		SNAP RING	1			A=2,20	0,034		
---	0730.514.131		SNAP RING	1			A=2,00	0,031		
---	0730.514.130		SNAP RING	1			A=1,80	0,028		
220	0501.327.470		AXIAL NEEDLE BEARING	1			50,8X67,5X4,0	0,029		

Parts list

Page 1 from 1

Material number: 1087.042.004

8 HP 70 H SW /

Material-assembly-group-no: 1087.171.008



Pos.	Material number	Customer material	Name	Quantity	ME	Amend. no.	Techn. Info.	Weight	Rep kit	Alternative material
10	1087.271.013		CYLINDER	1		Z00005930310		0,550		
30	0501.324.843		UNDULATSPRING	1				0,028		
40	1087.375.024		ICLUTCH DISC	5			A=2.1 IN 1087 375 016(1)	0,126		
50	0501.324.268		FRICTION PLATE	5				0,054		
60	---		ICLUTCH DISC	1			S= 3,00- 4,50(ABSTUFUNG:0,30MM)	0,000		
---	1087.375.023		ICLUTCH DISC	1			A=4.5 IN 1087 375 016(1)	0,269		
---	1087.375.022		ICLUTCH DISC	1			A=4.2 IN 1087 375 016(1)	0,252		
---	1087.375.021		ICLUTCH DISC	1			A=3.9 IN 1087 375 016(1)	0,234		
---	1087.375.020		ICLUTCH DISC	1			A=3.6 IN 1087 375 016(1)	0,216		
---	1087.375.019		ICLUTCH DISC	1			A=3.3 IN 1087 375 016(1)	0,198		
---	1087.375.018		ICLUTCH DISC	1			A=3.0 IN 1087 375 016(1)	0,180		
70	0501.326.356		CUP SPRING	1				0,093		
80	0734.313.895		ROUND SEALING RING	1			38,5X2,65	0,001		
90	0734.300.255		ROUND SEALING RING	1			41X1,5	0,001		
100	0501.328.074		PISTON	1			E	0,000		
110	1087.371.019		SUPPORT SHIM	1				0,122		
120	0501.323.394		LIP SEALING RING	1			93X103X3,9X2,5	0,005		
140	1087.371.015		WIRE RING	1				0,008		

Parts list

Page 1 from 1

Material number: 1087.042.004

8 HP 70 H SW /

Material-assembly-group-no: 1087.172.816



Pos.	Material number	Customer material	Name	Quantity	ME	Amend. no.	Techn. Info.	Weight	Rep kit	Alternative material
10	0501.327.896		UNDULATSPRING	1				0,051		
20	1087.372.077		OCLUTCH DISC	5				0,127		
30	0501.329.947		FRICTION PLATE	5				0,000		
40	---		OCLUTCH DISC	1		Z00007682810	S= 4,60- 5,80(ABSTUFUNG:0,20MM)	0,000		
---	1087.372.074		OCLUTCH DISC	1			A=5,8	0,432		
---	1087.372.073		OCLUTCH DISC	1			A=5,6	0,417		
---	1087.372.014		OCLUTCH DISC	1			A=5,4 IN 1087 372 010(1)	0,358		
---	1087.372.072		OCLUTCH DISC	1			A=5,2	0,388		
---	1087.372.071		OCLUTCH DISC	1			A=5,0	0,374		
---	1087.372.012		OCLUTCH DISC	1			A=4,8 IN 1087 372 010(1)	0,318		
---	1087.372.070		OCLUTCH DISC	1			A=4,6 A=4,6	0,345		
100	1087.372.044		PISTON	1				0,357		
110	0501.323.398		LIP SEALING RING	1				0,009		
120	0501.325.522		PROFILE SEALING RING	1				0,008		
130	0501.328.075		CYLINDER	1			B	0,186		
140	0734.313.894		ROUND SEALING RING	1			198X2,65	0,005		

Parts list

Page 1 from 1

Material number: 1087.042.004

8 HP 70 H SW /

Material-assembly-group-no: 1087.173.806



Pos.	Material number	Customer material	Name	Quantity	ME	Amend. no.	Techn. Info.	Weight	Rep kit	Alternative material
30	1087.273.008		PISTON	1			KPL. IN 1087 273 007(2)	0,662		
50	0734.313.221		ROUND SEALING RING	1			62X2,65	0,001		
70	0501.324.778		CUP SPRING	1			D	0,114		
80	1087.373.013		OIL DAM	1			D	0,228		
100	0734.313.007		ROUND SEALING RING	1			ENTHALT.IN 0734 313 005(1)	0,002		
120	0501.324.842		UNDULATSPRING	1				0,035		
140	1087.373.023		OCLUTCH DISC	4			D IN 1087 373 022(1)	0,118		
160	0501.326.037		FRICTION PLATE	4			L=2,12	0,054		
170	1087.373.024		OCLUTCH DISC	1			D ENDLAMELLE GENOPPT	0,177		
180	---		SNAP RING	1			S= 1,60- 2,80(ABSTUFUNG:0,20MM)	0,000		
---	0730.514.107		SNAP RING	1			A=2,80	0,047		
---	0730.514.106		SNAP RING	1			A=2,60	0,044		
---	0730.514.105		SNAP RING	1			A=2,40	0,041		
---	0730.514.104		SNAP RING	1			A=2,20	0,037		
---	0730.514.103		SNAP RING	1			A=2,00	0,034		
---	0730.514.102		SNAP RING	1			A=1,80	0,030		
---	0730.514.101		SNAP RING	1			A=1,60	0,027		
250	1087.373.030		POT	1				0,910		

Parts list

Page 1 from 1

Material number: 1087.042.004

8 HP 70 H SW /

Material-assembly-group-no: 1102.175.800



Pos.	Material number	Customer material	Name	Quantity	ME	Amend. no.	Techn. Info.	Weight	Rep kit	Alternative material
10	1087.375.032		HUB	1				0,294		
20	0734.313.896		ROUND SEALING RING	2			31,5X2 IN 0734 313 005(0)	0,001		
50	1087.375.012		CYLINDER	1			C	0,407		
60	0501.324.841		UNDULATSPRING	1				0,032		
80	1087.375.024		ICLUTCH DISC	6			A=2.1 IN 1087 375 016(1)	0,126		
100	0501.324.268		FRICTION PLATE	6				0,054		
110	---		ICLUTCH DISC	1			S= 3,00- 4,50(ABSTUFUNG:0,30MM)	0,000		
---	1087.375.023		ICLUTCH DISC	1			A=4.5 IN 1087 375 016(1)	0,269		
---	1087.375.022		ICLUTCH DISC	1			A=4.2 IN 1087 375 016(1)	0,252		
---	1087.375.021		ICLUTCH DISC	1			A=3.9 IN 1087 375 016(1)	0,234		
---	1087.375.020		ICLUTCH DISC	1			A=3.6 IN 1087 375 016(1)	0,216		
---	1087.375.019		ICLUTCH DISC	1			A=3.3 IN 1087 375 016(1)	0,198		
---	1087.375.018		ICLUTCH DISC	1			A=3.0 IN 1087 375 016(1)	0,180		
120	0501.324.777		CUP SPRING	1			C	0,085		
130	0734.313.895		ROUND SEALING RING	2			38,5X2,65	0,001		
160	0501.328.073		PISTON	1			C	0,476		
180	1087.375.014		SUPPORT SHIM	1			C	0,095		
200	0501.324.413		LIP SEALING RING	1			81,8X91,8X3,9X2,5	0,004		
220	0730.514.098		SNAP RING	1				0,010		
300	1087.242.173		SUN GEAR SHAFT	1				1,639		
330	0735.368.316		AXIAL NEEDLE BEARING	1			31,4X48,4X5,0	0,028		
350	0735.368.316		AXIAL NEEDLE BEARING	1			31,4X48,4X5,0	0,028		

Parts list

Page 1 from 1

Material number: 1087.042.004

8 HP 70 H SW /

Material-assembly-group-no: 1087.192.010



Pos.	Material number	Customer material	Name	Quantity	ME	Amend. no.	Techn. Info.	Weight	Rep kit	Alternative material
	1087.192.010		CONSERVATION	1			KA 0/KI 1*ZFN916* PRUEFST. *8,070DM3 GE/WT	0,000		

Parts list

Page 1 from 1

Material number: 1087.042.004

8 HP 70 H SW /

Material-assembly-group-no: 1087.197.911



Pos.	Material number	Customer material	Name	Quantity	ME	Amend. no.	Techn. Info.	Weight	Rep kit	Alternative material
10	1087.397.002		RETAINING CLIP	1				0,714		
20	---		BOLT+NUT	1			M8X45	0,000		
---	0636.010.084	8963100064	HEXAGON BOLT	1			M8X45	0,020		
---	0637.006.018	1000000412	HEXAGON NUT	1			M8	4,700		
30	---		HEXAGON BOLT	1			M10X16	0,000		
---	0636.015.270	1000000358	HEXAGON BOLT	1			M10X16	0,020		

Parts list

Page 1 from 1

Material number: 1087.042.004

8 HP 70 H SW /

Material-assembly-group-no: 6058.008.065



Pos.	Material number	Customer material	Name	Quantity	ME	Amend. no.	Techn. Info.	Weight	Rep kit	Alternative material
	6058.008.065		E-MODUL 8-GANG	1		Z00006410318	D2-MUSTER	0,600		