



Spare Parts Catalog

8 HP 55 A HIS SW

Material number: 1087.036.006

ZF Friedrichshafen AG

Hauptverwaltung

80038 Friedrichshafen

Deutschland

Telefon: +49 7541 77-0

Telefax: +49 7541 77-908000

www.zf.com

zuständiges Werk:

Saarbrücken



Pos.	Information	Amendment number
001	Use case -----	
002	Customer Audi AG	
003	City Ingolstadt	
004	DUNS 31-573-1679	
005	Vehicle / Apparatus -----	
006	Sales Name AUDI S8	
007	Manufacturer Audi AG	
008	Engineering Name D4	
009	Product Use CAR	
010	Vehicle/Hardware Type LIMOUSINE	
011	SOP	
012	Engine	
013	Sales Designation V8 4,0L TFSI	
014	Manufacturer Audi AG	
015	Drivetrain type GAS	
016	Eng.Displ. 4000 cm3	
017	Cylinder 8	
018	Nom. power 381 kW	
019	RPM at nom. power 6000 1/min	
020	Nom. torque 650 Nm	
021	RPM at nom. torque 1700 1/min	
022	Classification use case -----	
023	REAR AXLE RATIO 3.207	
024	DYNAMIC TYRE RADIUS 347 mm	
031	APPLICATION OF THE PRODUCT EU/USA	
033	Product description -----	
034	INSTALLATION POS TRANSMISSION LENGTHWISE	
035	DESIGN, CONSTRUCTION STAGE PVS	
037	CODE, CUSTOMER MEF	
038	TYPE NUMBER, CUSTOMER 7D06	
039	Documents -----	
040	TRANSMISSION Drawing 1087.630.001	

Technical Cover

Page 2 from 2

Material number: 1087.036.006

8 HP 55 A HIS SW /



Pos.	Information	Amendment number
041	Alias ID -----	
042	Audi AG 0BK300036	

Assembly group overview

Material number: 1087.036.006

8 HP 55 A HIS SW /



Page 1 from 2

Graphics	Pos.	Material number	Name	Quantity	Amend. no.	Techn. Info.
	710	1087.034.005	8 HP 55 A HIS	1		
168.01.22-1	118	1087.101.622	GEARBOX HOUSING	1		
168.01.22-1	910	1087.101.915	GEARBOX HOUSING	1		
	170	1091.102.806	INPUT	1		
	300	1087.103.810	OIL SUMP	1		
	228	1091.106.804	GEAR SHIFT SYSTEM	1		
	198	1087.110.803	OIL SUPPLY	1		
	900	1087.110.041	OIL SUPPLY	1		
	320	1087.322.223	CONVERTER	1		
	248	1087.124.863	PARKING LOCK	1		
	920	1087.126.825	MODULE	1		
	920	1087.127.900	MECHATRONIC	1		
	920	1087.127.847	CONTROL UNIT	1		
	278	1087.128.813	MECHATRONIC	1		
	980	1087.131.827	PLANETARY DRIVE	1		
	970	1087.132.818	PLANETARY DRIVE	1		
	400	1087.135.087	FRONT AXLE DIFF	1		
	408	1087.135.817	FRONT AXLE DIFF	1		
	930	1087.135.908	FRONT AXLE DIFF	1		
	430	1087.136.008	REAR AXOUTPUT	1		
	438	1084.136.802	REAR AXOUTPUT	1		
	950	1087.136.901	REAR AXOUTPUT	1		
	460	1087.137.058	FRONT AXOUTPUT	1		
	468	1087.137.819	FRONT AXOUTPUT	1		
	480	1084.138.014	DISTRIBUTOR	1		
	940	1087.138.900	DISTRIBUTOR	1		
	960	1087.140.808	PLANETARY DRIVE	1		
	900	1087.142.823	PLANETARY DRIVE	1		
	900	1087.142.167	PLANETARY DRIVE	1		
	900	1087.150.026	VALVE HOUSING	1		
	910	1087.151.029	VALVE PLATE	1		

Assembly group overview

Material number: 1087.036.006

8 HP 55 A HIS SW /

Page 2 from 2



Graphics	Pos.	Material number	Name	Quantity	Amend. no.	Techn. Info.
	920	1087.170.815	COUPLING	1		
	950	1087.171.008	COUPLING	1		
	160	1087.172.832	COUPLING	1		
	910	1087.172.831	COUPLING	1		
	910	1087.173.806	COUPLING	1		
	920	1087.173.804	COUPLING	1		
	930	1102.175.800	COUPLING	1		
	940	1087.175.004	COUPLING	1		
	84	1087.192.048	CONSERVATION	1		
	62	1084.197.902	PACKING	1		
	910	6058.008.060	E-MODUL 8-GANG	1		

Parts list

Page 1 from 2

Material number: 1087.036.006

8 HP 55 A HIS SW /

Material-assembly-group-no: 1087.034.005



Pos.	Material number	Customer material	Name	Quantity	ME	Amend. no.	Techn. Info.	Weight	Rep kit	Alternative material
62	1084.197.902		PACKING	1			PRUEFLAUF*AF *H-BUEGEL*M-HALTER*SK901	0,000		
84	1087.192.048		CONSERVATION	1			KA 0/KI 1*ZFN916*PRUEFST. *9, 060DM3GE*1, 000DM3DI*1, 030DM3HA	0,000		
118	1087.101.622		GEARBOX HOUSING	1			ANBAU	0,000		
160	1087.172.832		COUPLING	1			ANBAU I*B/5	0,000		
170	1091.102.806		INPUT	1			ANBAU* SCHWALBENSCHWAN Z	0,000		
198	1087.110.803		OIL SUPPLY	1			ANBAU *SK802	0,000		
228	1091.106.804		GEAR SHIFT SYSTEM	1			ANBAU*AF *SK802	0,000		
248	1087.124.863		PARKING LOCK	1		Z00012582211	ANBAU	0,000		
278	1087.128.813		MECHATRONIC	1			ANBAU*SPT3*INT* EGS*HIS *SK811	0,000		
300	1087.103.810		OIL SUMP	1			ANBAU*AF*SPT1 *SK805	0,000		
320	1087.322.223		CONVERTER	1				17,600		
400	1087.135.087		FRONT AXLE DIFF	1			Z6/Z5=34/11* LINKSGEWINDE	0,000		
408	1087.135.817		FRONT AXLE DIFF	1			ANBAU	0,000		
430	1087.136.008		REAR AXOUTPUT	1			STECKWELLE	0,000		
438	1084.136.802		REAR AXOUTPUT	1			ANBAU	0,000		
460	1087.137.058		FRONT AXOUTPUT	1			Z2/Z1=32/33*Z3=29	0,000		
468	1087.137.819		FRONT AXOUTPUT	1			Z29*BETA-PLUS-BEVELOID	0,000		
480	1084.138.014		DISTRIBUTOR	1			AAM MITTENDIFF	0,000		
900	1087.110.041		OIL SUPPLY	1				0,000		
900	1087.142.167		PLANETARY DRIVE	1			RS4*4PL.	0,000		

Parts list

Page 2 from 2

Material number: 1087.036.006

8 HP 55 A HIS SW /

Material-assembly-group-no: 1087.034.005



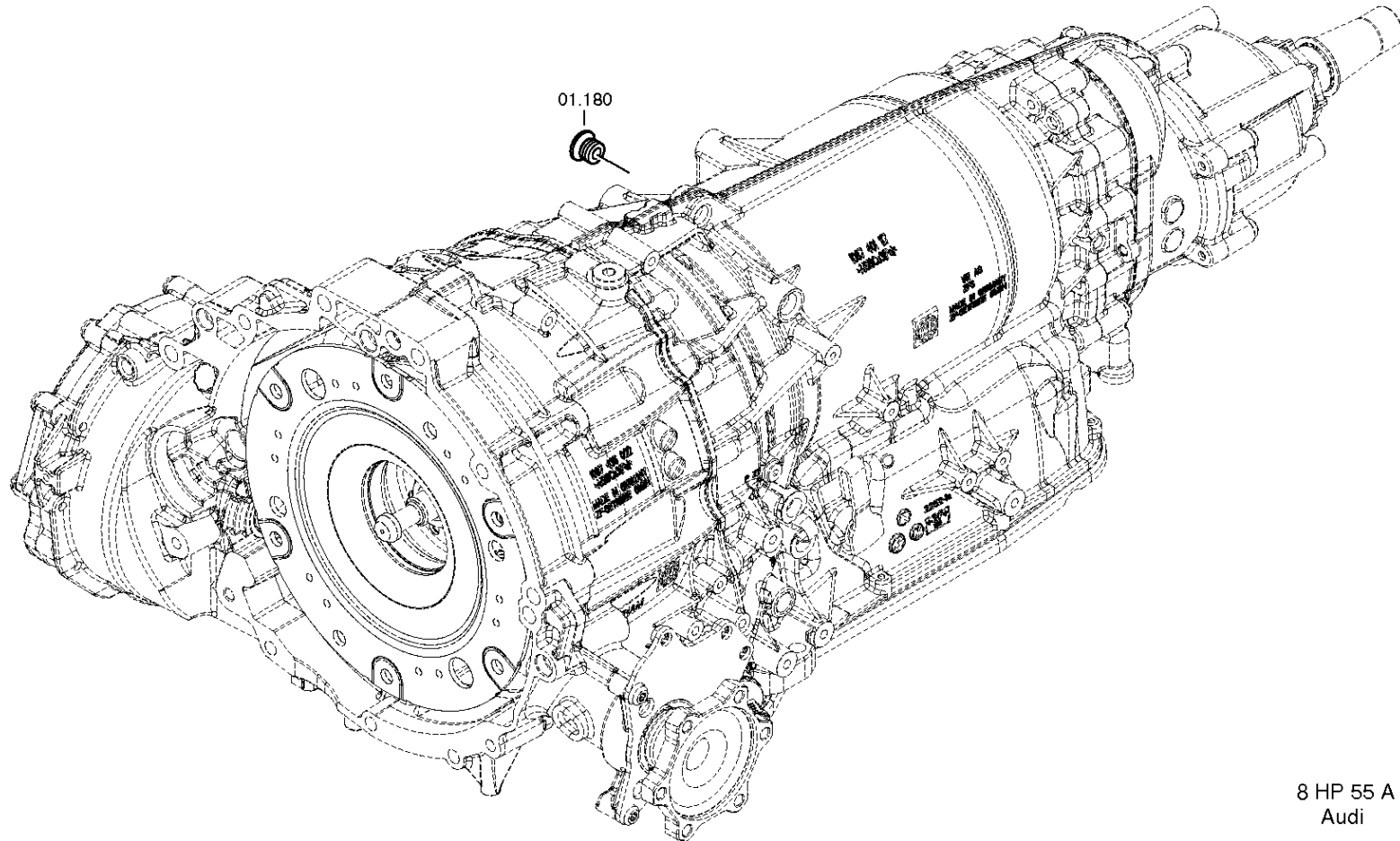
Pos.	Material number	Customer material	Name	Quantity	ME	Amend. no.	Techn. Info.	Weight	Rep kit	Alternative material
900	1087.142.823		PLANETARY DRIVE	1			ANBAU*RS4	0,000		
900	1087.150.026		VALVE HOUSING	1			E*E26/6*SPT4.2*GD* WFS	0,000		
910	1087.101.915		GEARBOX HOUSING	1			PRUEFLAUF	0,000		
910	1087.151.029		VALVE PLATE	1			E*MECH-S1*GD	0,000		
910	1087.172.831		COUPLING	1			ANBAU II*B	0,000		
910	1087.173.806		COUPLING	1			ANBAU I*D/4 *SK805	0,000		
910	6058.008.060		E-MODUL 8-GANG	1		Z00006410322	D2-MUSTER	0,600		
920	1087.126.825		MODULE	1		Z00006410322	ANBAU*INT EGS*HIS	0,000		
920	1087.127.847		CONTROL UNIT	1			ANBAU	0,000		
920	1087.127.900		MECHATRONIC	1			PRUEFLAUF	0,000		
920	1087.170.815		COUPLING	1			ANBAU*A5	0,000		
920	1087.173.804		COUPLING	1			ANBAU D*II *SK802	0,000		
930	1087.135.908		FRONT AXLE DIFF	1			PRUEFLAUF	0,000		
930	1102.175.800		COUPLING	1			ANBAU*C	0,000		
940	1087.138.900		DISTRIBUTOR	1			PRUEFLAUF*AF	0,000		
940	1087.175.004		COUPLING	1			C/6*SPT *SK003	0,000		
950	1087.136.901		REAR AXOUTPUT	1			PRUEFLAUF*MIT SCHUTZKAPPE*SK900	0,000		
950	1087.171.008		COUPLING	1			E/5*DRAHTRINGLOES UNG	0,000		
960	1087.140.808		PLANETARY DRIVE	1			ANBAU*RS3*OPT.V1	0,000		
970	1087.132.818		PLANETARY DRIVE	1			ANBAU*RS2/3PL*V1	0,000		
980	1087.131.827		PLANETARY DRIVE	1			ANBAU*RS1/4PL.*V2	0,000		

Plant

Page 1 from 1

Material number: 1087.036.006
Plant: 168.01.22-1
GEARBOX HOUSING

8 HP 55 A HIS SW /
GEARBOX HOUSING



8 HP 55 A
Audi

Parts list

Page 1 from 1

Material number: 1087.036.006

8 HP 55 A HIS SW /

Plant: 168.01.22-1

Material-assembly-group-no: 1087.101.622



Pos.	Material number	Customer material	Name	Quantity	ME	Amend. no.	Techn. Info.	Weight	Rep kit	Alternative material
100	0501.323.767		SCREW PLUG	1			M10 X 1	0,003		
140	---		PLUG	1			D=17,10	0,000		
---	0501.322.074		PLUG	1				0,003		
180	0501.324.981		SCREW PLUG	1				0,020		
840	0666.692.055		CODE LABEL	1				0,001		

Parts list

Page 1 from 1

Material number: 1087.036.006

8 HP 55 A HIS SW /

Material-assembly-group-no: 1091.102.806



Pos.	Material number	Customer material	Name	Quantity	ME	Amend. no.	Techn. Info.	Weight	Rep kit	Alternative material
50	0735.368.318		AXIAL NEEDLE BEARING	1			50,8x81,0x4,0	0,041		
70	1087.231.187		RING GEAR	1		Z00006007710		2,304		
80	0501.327.284		ANGLE DISC	1				0,030		
170	0734.313.897		ROUND SEALING RING	1			23,52X1,78	0,003		

Parts list

Page 1 from 1

Material number: 1087.036.006

8 HP 55 A HIS SW /

Material-assembly-group-no: 1087.103.810



Pos.	Material number	Customer material	Name	Quantity	ME	Amend. no.	Techn. Info.	Weight	Rep kit	Alternative material
10	0501.216.377		OIL SUMP	1				0,730		
/15	0501.324.025		SCREW PLUG	1			M10X1	0,013		
50	0501.324.798		GASKET	1				0,057		
200	0501.217.777		OIL FILTER	1			KPL.	0,445		
/20	0501.323.928		O-RING	1				0,002		
/30	0501.324.617		MAGNET	2				0,000		

Parts list

Page 1 from 1

Material number: 1087.036.006

8 HP 55 A HIS SW /

Material-assembly-group-no: 1091.106.804



Pos.	Material number	Customer material	Name	Quantity	ME	Amend. no.	Techn. Info.	Weight	Rep kit	Alternative material
10	0734.319.801		SHAFT SEAL	1			10X18X5	0,002		
30	1087.206.069		SELECTOR SHAFT	1				0,104		
50	1087.206.028		PARKING LOCK DISC	1				0,107		
60	0501.324.683		CLAMPING SLEEVE	1				0,003		
90	1087.306.055		LEG SPRING	1				0,021		

Parts list

Page 1 from 1

Material number: 1087.036.006

8 HP 55 A HIS SW /

Material-assembly-group-no: 1087.110.803



Pos.	Material number	Customer material	Name	Quantity	ME	Amend. no.	Techn. Info.	Weight	Rep kit	Alternative material
10	1087.210.254		INTERMPLATE	1				3,734		
20	0735.298.399		NEEDLE SLEEVE	1			W-KAEFIG 33,0X39, 0x21,0	0,029		
30	0730.514.096		SNAP RING	1				0,004		
40	0501.218.885		PUMP	1				0,000		
60	0501.329.172		CHAIN	1				0,071		
80	1087.210.266		SPROCKET WHEEL	1			KPL. VERB. TOLERANZ	0,000		
/110	---		SPROCKET WHEEL	1			WTB	0,000		
/120	0501.326.875		UNDULATSPRING	1				0,700		
/130	0501.323.708		PISTON RING	1				0,007		
/140	0501.326.909		ANGLE DISC	1				0,010		
100	1087.210.142		CENTERING PLATE	1			KPL. *SK102	0,000		
110	0736.010.388		TORX SCREW	6			M6X24	0,003		
120	---		TORX SCREW	1			M6X33	0,000		
---	0736.300.018		HEXALOBULAR DRIVING SCREW	1			M6x33	0,004		
210	0501.324.911		SHIM	1			T=2,6	0,033		
230	0736.300.069		TORX SCREW	14			M8X70	0,012		

Parts list

Page 1 from 1

Material number: 1087.036.006

8 HP 55 A HIS SW /

Material-assembly-group-no: 1087.322.223



Pos.	Material number	Customer material	Name	Quantity	ME	Amend. no.	Techn. Info.	Weight	Rep kit	Alternative material
	1087.322.223		CONVERTER	1				17,600		

Parts list

Page 1 from 1

Material number: 1087.036.006

8 HP 55 A HIS SW /

Material-assembly-group-no: 1087.124.863



Pos.	Material number	Customer material	Name	Quantity	ME	Amend. no.	Techn. Info.	Weight	Rep kit	Alternative material
10	1091.324.001		PIN	1				0,062		
30	0734.313.144		ROUND SEALING RING	1			ENTHALT.IN 0734 313 005(1)	0,001		
40	1087.324.074		PAWL	1				0,243		
60	1087.324.053		LEG SPRING	1				0,005		
80	1087.224.039		CONNECTING BAR	1				0,093		
110	1087.324.139		GUIDING PLATE	1				0,083		
120	1087.324.045		HEXALOBULAR DRIVING SCREW	3			M6X20*PRECOTE 85-3	0,007		

Parts list

Page 1 from 1

Material number: 1087.036.006

8 HP 55 A HIS SW /

Material-assembly-group-no: 1087.126.825



Pos.	Material number	Customer material	Name	Quantity	ME	Amend. no.	Techn. Info.	Weight	Rep kit	Alternative material
30	0736.101.354		TORX SCREW	5			M5X60 IN 0736 101 351(1)	0,010		
110	1087.227.028		WIRING HARNESS	1			8HP E-SCHALT PZYL HIS OHNE SCHLAUCH	0,051		
/100	6029.201.996		PLUG	1			8POL BU MLK KOSTAL 8HP	0,000		
/200	6029.207.902		PLUG	1			2POL ST MPQ 2.8 0,5/0,5	0,027		
/201	0659.120.090		LINE	480				0,000		
/202	0659.120.086		LINE	480				0,000		
/300	6029.201.997		PLUG	1			2POL BU SLK 2,8 GF30	0,000		
/301	0659.120.119		LINE	375				0,000		
/302	0659.120.196		LINE	375				0,000		
/6003	0659.145.056		INSULATING HOSE	190			4,5X0,5	0,000		
/9201	0501.324.947		BOTTOM	1			KABELKANAL	0,000		
/9202	0501.324.946		COVER	1			KABELKANAL	0,000		
170	0501.325.650		WIRING HARNESS	1				0,160		

Parts list

Page 1 from 1

Material number: 1087.036.006

8 HP 55 A HIS SW /

Material-assembly-group-no: 1087.127.900



Pos.	Material number	Customer material	Name	Quantity	ME	Amend. no.	Techn. Info.	Weight	Rep kit	Alternative material
690	1068.227.022		VALVE	4				0,008		
710	1068.227.061		VALVE	1			KPL. IN 1060 227 018(2)	0,001		
730	1087.327.041		PISTON	1			SDB V	0,001		
740	0732.040.105		COMPRSPRING	1				0,008		
760	0501.216.254		SCREEN FILTER	1				0,001		
770	1068.327.098		BALL	6				0,149		
780	0501.311.653		SCREEN	1				0,002		
790	1068.327.143		SPHERICAL PIECE	1				0,001		
800	1068.227.039		PISTON	7				0,010		
820	1087.227.013		SUCTION CONNECTOR	1			KPL. AF *8HP* OELVERSORGUNG	0,020		
830	0501.227.048		INTERMEDIATE SHEET	1			E*E26/1/6*MECH-S1	0,271		
/10	1087.327.175		INTERMEDIATE SHEET	1			E*E26/1/6*MECH-S1	0,269		
/20	0501.324.233		GASKET	1			SIEBDRUCK	0,000		
840	0736.101.352		TORX SCREW	20				0,008		
850	1068.327.144		CAP	1				0,005		

Parts list

Page 1 from 1

Material number: 1087.036.006

8 HP 55 A HIS SW /

Material-assembly-group-no: 1087.128.813



Pos.	Material number	Customer material	Name	Quantity	ME	Amend. no.	Techn. Info.	Weight	Rep kit	Alternative material
450	---		TORX SCREW	15			M6X59	0,000		
---	0736.101.348		TORX SCREW	15				0,015		
570	0736.101.375		TORX SCREW	5				0,002		
580	0736.101.375		TORX SCREW	1				0,002		
640	1087.227.006		PRESSURE TUBE	1			KPL.AF	0,015		
670	0501.216.119		GUIDE SLEEVE	1			8HPXY AF GETRIEBESTECKER	0,022		
680	0501.327.294		OILVOLUME ACCU	1				1,157		

Parts list

Page 1 from 1

Material number: 1087.036.006

8 HP 55 A HIS SW /

Material-assembly-group-no: 1087.131.827



Pos.	Material number	Customer material	Name	Quantity	ME	Amend. no.	Techn. Info.	Weight	Rep kit	Alternative material
10	1087.231.237		PLANETARY DRIVE	1		Z00011123710	KPL.RS1/4PL.*V2	0,000		
20	1087.331.027		SNAP RING	1				0,052		
30	1087.331.041		OIL TRAY	1				0,010		

Parts list

Page 1 from 1

Material number: 1087.036.006

8 HP 55 A HIS SW /

Material-assembly-group-no: 1087.132.818



Pos.	Material number	Customer material	Name	Quantity	ME	Amend. no.	Techn. Info.	Weight	Rep kit	Alternative material
10	1087.232.074		PLANETARY DRIVE	1			KPL.RS2*3PL*OPT.V1* OPT.MAGNETR.	0,000		
20	1087.331.040		OIL TRAY	1				0,009		
30	1087.232.068		INPUT SHAFT	1		Z00007011010	KPL.	2,400		
/110	1087.332.122		INPUT SHAFT	1				2,407		
/120	1087.332.037		SEALING SLEEVE	1			3L WANDLER	0,019		
/130	0501.327.169		PLUG	1			VERLÄNGERT	2,510		
/140	0501.327.169		PLUG	1			VERLÄNGERT	2,510		
50	1087.332.048		SNAP RING	1				0,009		
60	0501.325.138		ANGLE DISC	1				0,024		
80	0501.327.948		PISTON RING	5			31,4X2	0,001		
90	0501.327.948		PISTON RING	2			31,4X2	0,001		
120	1087.332.095		SUN GEAR	1		Z00011123710	RS1*RS2	0,853		

Parts list

Page 1 from 7

Material number: 1087.036.006

8 HP 55 A HIS SW /

Material-assembly-group-no: 1087.135.087



Pos.	Material number	Customer material	Name	Quantity	ME	Amend. no.	Techn. Info.	Weight	Rep kit	Alternative material
10	---		CONVERTER BELL	1				0,000		
20	0734.319.837		SHAFT SEAL	1			33X47X8 FA.PAULSTRA	0,009		
30	1071.301.041		BRACKET	1			6HP19A/FL	0,005		
40	1043.301.036		MAGNET	1				0,007		
50	---		TORX SCREW	1			M6X14	0,000		
---	0736.101.241		TORX SCREW	1				0,005		
60	1087.235.104		BEVEL GEAR SET	1				0,000		
/120	0501.330.082		TAROLLBEARING	1				0,000		
/130	0501.325.613		TAROLLBEARING	1				0,250		
70	0735.400.010		COMBI BEARING	1			41,3X85,0X82,0 FA.SKF	2,120		
80	0501.327.610		HEXAGON NUT	1			M40X1,5LH	0,120		
90	---		SHIM	1			S= 0,900- 1,925(ABSTUFUNG:0,025MM)	0,000		
---	0730.112.670		SHIM	1			A=1,925 IN 0730 106 427(2)	0,000		
---	0730.106.450		SHIM	1			A=1,90 IN 0730 106 427(2)	0,000		
---	0730.112.671		SHIM	1			A=1,875 IN 0730 106 427(2)	0,000		
---	0730.106.449		SHIM	1			A=1,85 IN 0730 106 427(2)	0,000		
---	0730.112.672		SHIM	1			A=1,825 IN 0730 106 427(2)	0,000		
---	0730.106.448		SHIM	1			A=1,80 IN 0730 106 427(2)	0,020		
---	0730.112.673		SHIM	1			A=1,775 IN 0730 106 427(2)	0,020		
---	0730.106.447		SHIM	1			A=1,75 IN 0730 106 427(2)	0,019		
---	0730.112.674		SHIM	1			A=1,725 IN 0730 106 427(2)	0,020		

Parts list

Page 2 from 7

Material number: 1087.036.006

8 HP 55 A HIS SW /

Material-assembly-group-no: 1087.135.087



Pos.	Material number	Customer material	Name	Quantity	ME	Amend. no.	Techn. Info.	Weight	Rep kit	Alternative material
---	0730.106.446		SHIM	1			A=1,70 IN 0730 106 427(2)	0,018		
---	0730.112.675		SHIM	1			A=1,675 IN 0730 106 427(2)	0,019		
---	0730.106.445		SHIM	1			A=1,65 IN 0730 106 427(2)	0,018		
---	0730.112.676		SHIM	1			A=1,625 IN 0730 106 427(2)	0,018		
---	0730.106.444		SHIM	1			A=1,60 IN 0730 106 427(2)	0,018		
---	0730.112.677		SHIM	1			A=1,575 IN 0730 106 427(2)	0,017		
---	0730.106.443		SHIM	1			A=1,55 IN 0730 106 427(2)	0,016		
---	0730.112.678		SHIM	1			A=1,525 IN 0730 106 427(2)	0,017		
---	0730.106.442		SHIM	1			A=1,50 IN 0730 106 427(2)	0,017		
---	0730.112.679		SHIM	1			A=1,475 IN 0730 106 427(2)	0,016		
---	0730.106.441		SHIM	1			A=1,45 IN 0730 106 427(2)	0,016		
---	0730.112.680		SHIM	1			A=1,425 IN 0730 106 427(2)	0,016		
---	0730.106.440		SHIM	1			A=1,40 IN 0730 106 427(2)	0,014		
---	0730.112.681		SHIM	1			A=1,375 IN 0730 106 427(2)	0,015		
---	0730.106.439		SHIM	1			A=1,35 IN 0730 106 427(2)	0,014		
---	0730.112.682		SHIM	1			A=1,325 IN 0730 106 427(2)	0,015		

Parts list

Page 3 from 7

Material number: 1087.036.006

8 HP 55 A HIS SW /

Material-assembly-group-no: 1087.135.087



Pos.	Material number	Customer material	Name	Quantity	ME	Amend. no.	Techn. Info.	Weight	Rep kit	Alternative material
---	0730.106.438		SHIM	1			A=1,30 IN 0730 106 427(2)	0,014		
---	0730.112.683		SHIM	1			A=1,275 IN 0730 106 427(2)	0,014		
---	0730.106.437		SHIM	1			A=1,25 IN 0730 106 427(2)	0,014		
---	0730.112.684		SHIM	1			A=1,225 IN 0730 106 427(2)	0,014		
---	0730.106.436		SHIM	1			A=1,20 IN 0730 106 427(2)	0,012		
---	0730.112.685		SHIM	1			A=1,175 IN 0730 106 427(2)	0,013		
---	0730.106.435		SHIM	1			A=1,15 IN 0730 106 427(2)	0,012		
---	0730.112.686		SHIM	1			A=1,125 IN 0730 106 427(2)	0,012		
---	0730.106.434		SHIM	1			A=1,10 IN 0730 106 427(2)	0,012		
---	0730.112.687		SHIM	1			A=1,075 IN 0730 106 427(2)	0,012		
---	0730.106.433		SHIM	1			A=1,05 IN 0730 106 427(2)	0,011		
---	0730.112.688		SHIM	1			A=1,025 IN 0730 106 427(2)	0,012		
---	0730.106.432		SHIM	1			A=1,00 IN 0730 106 427(2)	0,011		
---	0730.112.689		SHIM	1			A=0,975 IN 0730 106 427(2)	0,000		
---	0730.106.431		SHIM	1			A=0,95 IN 0730 106 427(2)	0,010		
---	0730.112.690		SHIM	1			A=0,925 IN 0730 106 427(2)	0,000		

Parts list

Page 4 from 7

Material number: 1087.036.006

8 HP 55 A HIS SW /

Material-assembly-group-no: 1087.135.087



Pos.	Material number	Customer material	Name	Quantity	ME	Amend. no.	Techn. Info.	Weight	Rep kit	Alternative material
---	0730.106.430		SHIM	1			A=0,90 IN 0730 106 427(2)	0,000		
110	1084.335.037		RETAINING RING	1			6HP28AF	0,051		
120	0501.325.742		GASKET	1				0,090		
130	---		WASHER	1			S= 1,12- 1,85(ABSTUFUNG:0,02MM)	0,000		
---	0730.009.544		SHIM	1			A=1,125	0,009		
---	0730.009.545		SHIM	1			A=1,150	0,009		
---	0730.009.546		SHIM	1			A=1,175	0,009		
---	0730.009.547		SHIM	1			A=1,200	0,009		
---	0730.009.708		SHIM	1			A=1,225	0,009		
---	0730.009.548		SHIM	1			A=1,250	0,008		
---	0730.009.549		SHIM	1			A=1,275	0,009		
---	0730.009.550		SHIM	1			A=1,300	0,010		
---	0730.009.551		SHIM	1			A=1,325	0,009		
---	0730.009.552		SHIM	1			A=1,350	0,010		
---	0730.009.709		SHIM	1			A=1,375	0,010		
---	0730.009.553		SHIM	1			A=1,400	0,010		
---	0730.009.554		SHIM	1			A=1,425	0,010		
---	0730.009.555		SHIM	1			A=1,450	0,009		
---	0730.009.556		SHIM	1			A=1,475	0,011		
---	0730.009.557		SHIM	1			A=1,500	0,011		
---	0730.009.710		SHIM	1			A=1,525	0,011		
---	0730.009.558		SHIM	1			A=1,550	0,011		
---	0730.009.559		SHIM	1			A=1,575	0,012		
---	0730.009.560		SHIM	1			A=1,600	0,012		
---	0730.009.561		SHIM	1			A=1,625	0,012		
---	0730.009.562		SHIM	1			A=1,650	0,012		
---	0730.009.711		SHIM	1			A=1,675	0,013		
---	0730.009.563		SHIM	1			A=1,700	0,013		
---	0730.009.564		SHIM	1			A=1,725	0,013		

Parts list

Page 5 from 7

Material number: 1087.036.006

8 HP 55 A HIS SW /

Material-assembly-group-no: 1087.135.087



Pos.	Material number	Customer material	Name	Quantity	ME	Amend. no.	Techn. Info.	Weight	Rep kit	Alternative material
---	0730.009.565		SHIM	1			A=1,750	0,000		
---	0730.009.566		SHIM	1			A=1,775	0,000		
---	0730.009.567		SHIM	1			A=1,800	0,013		
---	0730.009.712		SHIM	1			A=1,825	0,000		
---	0730.009.568		SHIM	1			A=1,850	0,000		
140	---		SHIM	1			S=1,00- 1,90(ABSTUFUNG:0,025MM)	0,484		
---	0730.005.980		SHIM	1			A=1,900	0,016		
---	0730.009.674		SHIM	1			A=1,875	0,016		
---	0730.005.979		SHIM	1			A=1,850	0,016		
---	0730.009.673		SHIM	1			A=1,825	0,013		
---	0730.005.978		SHIM	1			A=1,800	0,016		
---	0730.009.672		SHIM	1			A=1,775	0,015		
---	0730.005.977		SHIM	1			A=1,750	0,014		
---	0730.009.671		SHIM	1			A=1,725	0,014		
---	0730.005.976		SHIM	1			A=1,700	0,001		
---	0730.009.670		SHIM	1			A=1,675	0,014		
---	0730.005.975		SHIM	1			A=1,650	0,014		
---	0730.009.669		SHIM	1			A=1,625	0,013		
---	0730.005.974		SHIM	1			A=1,600	0,014		
---	0730.009.668		SHIM	1			A=1,575	0,013		
---	0730.005.973		SHIM	1			A=1,550	0,013		
---	0730.009.667		SHIM	1			A=1,525	0,013		
---	0730.005.972		SHIM	1			A=1,500	0,012		
---	0730.009.666		SHIM	1			A=1,475	0,012		
---	0730.005.971		SHIM	1			A=1,450	0,012		
---	0730.009.665		SHIM	1			A=1,425	0,012		
---	0730.005.970		SHIM	1			A=1,400	0,012		
---	0730.009.664		SHIM	1			A=1,375	0,011		
---	0730.005.969		SHIM	1			A=1,350	0,012		
---	0730.009.663		SHIM	1			A=1,325	0,011		

Parts list

Page 6 from 7

Material number: 1087.036.006

8 HP 55 A HIS SW /

Material-assembly-group-no: 1087.135.087



Pos.	Material number	Customer material	Name	Quantity	ME	Amend. no.	Techn. Info.	Weight	Rep kit	Alternative material
---	0730.005.968		SHIM	1			A=1,300	0,010		
---	0730.009.662		SHIM	1			A=1,275	0,011		
---	0730.005.967		SHIM	1			A=1,250	0,010		
---	0730.009.661		SHIM	1			A=1,225	0,010		
---	0730.005.966		SHIM	1			A=1,200	0,010		
---	0730.009.660		SHIM	1			A=1,175	0,010		
---	0730.005.965		SHIM	1			A=1,150	0,010		
---	0730.009.659		SHIM	1			A=1,125	0,009		
---	0730.005.964		SHIM	1			A=1,100	0,009		
---	0730.009.658		SHIM	1			A=1,075	0,009		
---	0730.005.963		SHIM	1			A=1,050	0,008		
---	0730.009.657		SHIM	1			A=1,025	0,008		
---	0730.005.962		SHIM	1			A=1,000	0,008		
150	1087.235.053		COVER	1			KPL.	0,000		
/120	0734.310.430		SHAFT SEAL	1			40X55X7 FA.CFW	0,013		
160	0734.313.155		ROUND SEALING RING	1				0,009		
170	0736.617.091		TORX SCREW	10			M8X39	0,018		
172	0736.617.095		TORX SCREW	1			PARTIELL BESCHICHTET M8X39	0,021		
180	0730.513.928		SNAP RING	1				0,003		
190	1084.335.038		OUTPUT FLANGE	1			Z=37	1,012		
200	1087.235.032		FLANGE SHAFT	1			KPL. *HALBMONDRING	0,000		
/110	1084.335.039		FLANGE SHAFT	1				2,819		
/120	1084.235.011		COVER				KPL.	0,284		1084.298.001
/120	1084.298.001		COVER	1			MIT ALUSCHR.* 6HP28AF*8HP55/90A* AUDI	0,310		
/130	0735.330.670		BALL BEARING	1			35,0X62,0X22,0 FA.FAG	0,223		
/140	0501.330.125		CURVED RING	1				0,000		
/150	0501.308.523		COMPRSPRING	1				0,015		

Parts list

Page 7 from 7

Material number: 1087.036.006

8 HP 55 A HIS SW /

Material-assembly-group-no: 1087.135.087



Pos.	Material number	Customer material	Name	Quantity	ME	Amend. no.	Techn. Info.	Weight	Rep kit	Alternative material
/160	0501.308.528		TAPPET	1				0,016		
220	1084.335.034		PROTECTING TUBE	1				0,369		
230	0501.322.806		SEALING RING	1				0,010		
234	0501.324.718		GASKET	1				0,021		
240	0736.300.056		TORX SCREW	14			M8X22	0,005		
250	0736.101.578		TORX SCREW	1			M10X27	0,008		
270	0501.323.767		SCREW PLUG	1			M10 X 1	0,003		
280	0734.319.811		SHAFT SEAL	1			53X71X7	0,018		
400	0501.323.769		SCREW PLUG	2			M18 X 1,5	0,012		
410	1087.301.098		TYPE PLATE	1				0,004		
414	0501.325.973		RIVET	1				0,001		
450	0666.692.050		CODE LABEL	1				0,001		

Parts list

Page 1 from 1

Material number: 1087.036.006

8 HP 55 A HIS SW /

Material-assembly-group-no: 1087.136.008



Pos.	Material number	Customer material	Name	Quantity	ME	Amend. no.	Techn. Info.	Weight	Rep kit	Alternative material
10	1084.336.007		DISTRHOUSING	1				1,338		
20	0734.319.763		SHAFT SEAL	1				0,011		
30	0735.330.845		BALL BEARING	1			35,0X62,0X14,0 FA.NTN	0,152		
40	1087.236.002		STUB SHAFT	1				0,000		
/20	0501.327.112		VIBRATION DAMPER	1				3,068		
50	0730.300.521		RETAINING RING	1			35X1,5	0,002		
60	0730.300.522		RETAINING RING	1			62X2	0,012		
70	0734.313.083		ROUND SEALING RING	1			ENTHALT.IN 0734 313 005(1)	0,004		
120	0501.323.769		SCREW PLUG	1			M18 X 1,5	0,012		
140	0501.325.848		PROTECTING CAP	1				0,010		

Parts list

Page 1 from 4

Material number: 1087.036.006

8 HP 55 A HIS SW /

Material-assembly-group-no: 1087.137.058



Pos.	Material number	Customer material	Name	Quantity	ME	Amend. no.	Techn. Info.	Weight	Rep kit	Alternative material
10	1087.237.079		SIDE SHAFT	1			Z31*BETA-PLUS-BEVELOID	0,000		
20	0736.617.093		TORX SCREW	2			M8X29	0,019		
30	1084.337.005		OIL FEED	1				0,011		
40	1087.237.078		FRONT AXLE SHAFT	1			KPL.Z=29*BETA-PLUS-BEVELOID	2,240		
50	---		SHIM	1			S= 1,00- 2,00(ABSTUFUNG:0,05MM)	0,000		
---	0730.008.706		SHIM	1				15		
---	0730.009.864		SHIM	1				0,020		
---	0730.008.084		SHIM	1				0,010		
---	0730.008.083		SHIM	1				0,020		
---	0730.008.082		SHIM	1				0,010		
---	0730.008.081		SHIM	1				0,020		
---	0730.008.080		SHIM	1				0,010		
---	0730.008.079		SHIM	1				0,010		
---	0730.008.078		SHIM	1				0,010		
---	0730.008.077		SHIM	1				0,010		
---	0730.008.076		SHIM	1				0,010		
---	0730.008.075		SHIM	1			A=1,45 IN 0730 009 726(1)	0,010		
---	0730.008.074		SHIM	1			A=1,40 IN 0730 009 726(1)	0,009		
---	0730.008.073		SHIM	1			A=1,35 IN 0730 009 726(1)	0,009		
---	0730.008.072		SHIM	1			A=1,30 IN 0730 009 726(1)	0,008		
---	0730.008.071		SHIM	1			A=1,25 IN 0730 009 726(1)	0,008		
---	0730.008.070		SHIM	1			A=1,20 IN 0730 009 726(1)	0,008		

Parts list

Page 2 from 4

Material number: 1087.036.006

8 HP 55 A HIS SW /

Material-assembly-group-no: 1087.137.058



Pos.	Material number	Customer material	Name	Quantity	ME	Amend. no.	Techn. Info.	Weight	Rep kit	Alternative material
---	0730.008.069		SHIM	1			A=1,15 IN 0730 009 726(1)	0,008		
---	0730.008.068		SHIM	1			A=1,10 IN 0730 009 726(1)	0,007		
---	0730.007.599		SHIM	1			A=1,05 IN 0730 009 726(1)	0,007		
---	0730.007.598		SHIM	1			A=1,00 IN 0730 009 726(1)	0,007		
70	1087.237.251		INTERMHOUSING	1				3,510		
100	1091.237.011		PUMP	1			KPL.VENTIL *SK006	0,000		
120	1087.237.051		INPUT GEAR	1			KPL.Z=33 *SK030	0,000		
140	1087.237.031		OUTPUT GEAR	1			KPL.Z=32 *SK021	0,000		
200	0736.101.569		TORX SCREW	4			M6X25	0,003		
220	---		SHIM	1			S= 1,00- 2,25(ABSTUFUNG:0,05MM)	0,003		
---	0730.300.306		SHIM	1			A=1,00	0,003		
---	0730.300.307		SHIM	1			A=1,05	0,003		
---	0730.300.308		SHIM	1			A=1,10	0,004		
---	0730.300.309		SHIM	1			A=1,15	0,004		
---	0730.300.310		SHIM	1			A=1,20	0,004		
---	0730.300.311		SHIM	1			A=2,25	0,004		
---	0730.300.312		SHIM	1			A=1,30	0,004		
---	0730.300.313		SHIM	1			A=1,35	0,005		
---	0730.300.314		SHIM	1			A=1,40	0,005		
---	0730.300.315		SHIM	1			A=1,45	0,005		
---	0730.300.316		SHIM	1			A=1,50	0,005		
---	0730.300.317		SHIM	1			A=1,55	0,005		
---	0730.300.318		SHIM	1			A=1,60	0,005		
---	0730.300.319		SHIM	1			A=1,65	0,006		
---	0730.300.320		SHIM	1			A=1,70	0,006		
---	0730.300.321		SHIM	1			A=1,75	0,006		

Parts list

Page 3 from 4

Material number: 1087.036.006

8 HP 55 A HIS SW /

Material-assembly-group-no: 1087.137.058



Pos.	Material number	Customer material	Name	Quantity	ME	Amend. no.	Techn. Info.	Weight	Rep kit	Alternative material
---	0730.300.322		SHIM	1			A=1,80	0,006		
---	0730.300.323		SHIM	1			A=1,85	0,006		
---	0730.300.324		SHIM	1			A=1,90	0,007		
---	0730.300.325		SHIM	1			A=1,95	0,007		
---	0730.300.326		SHIM	1			A=2,00	0,007		
---	0730.300.327		SHIM	1			A=2,05	0,007		
---	0730.300.328		SHIM	1			A=2,10	0,007		
---	0730.300.329		SHIM	1			A=2,15	0,007		
---	0730.300.330		SHIM	1			A=2,20	0,008		
---	0730.300.331		SHIM	1			A=2,25	0,008		
240	---		SHIM	1			S= 1,00- 1,80(ABSTUFUNG:0,05MM)	0,000		
---	0730.007.593		SHIM	1			A=1,80 IN 0730 007 576(0)	0,011		
---	0730.007.592		SHIM	1			A=1,75 IN 0730 007 576(0)	0,010		
---	0730.007.591		SHIM	1			A=1,70 IN 0730 007 576(0)	0,010		
---	0730.007.590		SHIM	1			A=1,65 IN 0730 007 576(0)	0,010		
---	0730.007.589		SHIM	1			A=1,60 IN 0730 007 576(0)	0,009		
---	0730.007.588		SHIM	1			A=1,55 IN 0730 007 576(0)	0,009		
---	0730.007.587		SHIM	1			A=1,50 IN 0730 007 576(0)	0,009		
---	0730.007.586		SHIM	1			A=1,45 IN 0730 007 576(0)	0,008		
---	0730.007.585		SHIM	1			A=1,40 IN 0730 007 576(0)	0,008		
---	0730.007.584		SHIM	1			A=1,35 IN 0730 007 576(0)	0,008		

Parts list

Page 4 from 4

Material number: 1087.036.006

8 HP 55 A HIS SW /

Material-assembly-group-no: 1087.137.058



Pos.	Material number	Customer material	Name	Quantity	ME	Amend. no.	Techn. Info.	Weight	Rep kit	Alternative material
---	0730.007.583		SHIM	1			A=1,30 IN 0730 007 576(0)	0,008		
---	0730.007.582		SHIM	1			A=1,25 IN 0730 007 576(0)	0,007		
---	0730.007.581		SHIM	1			A=1,20 IN 0730 007 576(0)	0,007		
---	0730.007.580		SHIM	1			A=1,15 IN 0730 007 576(0)	0,007		
---	0730.007.579		SHIM	1			A=1,10 IN 0730 007 576(0)	0,006		
---	0730.007.578		SHIM	1			A=1,05 IN 0730 007 576(0)	0,006		
---	0730.007.577		SHIM	1			A=1,00 IN 0730 007 576(0)	0,006		
250	0501.216.757		CUP SPRING	1				0,007		
266	0736.010.821		HEXALOBULAR DRIVING SCREW	1			M8X18	0,021		
270	1043.301.036		MAGNET	1				0,007		
280	0501.324.995		GASKET	1			METALOSEAL 65.100	0,025		
320	0736.300.019		HEXALOBULAR DRIVING SCREW	4			M10X47 M10X47	0,037		
340	0501.318.970		CLAMPING SLEEVE	2				0,005		

Parts list

Page 1 from 1

Material number: 1087.036.006

8 HP 55 A HIS SW /

Material-assembly-group-no: 1084.138.014



Pos.	Material number	Customer material	Name	Quantity	ME	Amend. no.	Techn. Info.	Weight	Rep kit	Alternative material
170	0501.217.805		DIFFERENTIAL	1				4,007		
180	0735.330.844		BALL BEARING	1			40,0X68,0X9,0 FA.NTN	0,128		
400	0501.322.843		BREATHER TUBE	1				0,005		
410	0501.314.809		BREATHER COVER	1				0,001		

Parts list

Page 1 from 1

Material number: 1087.036.006

8 HP 55 A HIS SW /

Material-assembly-group-no: 1087.140.808



Pos.	Material number	Customer material	Name	Quantity	ME	Amend. no.	Techn. Info.	Weight	Rep kit	Alternative material
10	0501.327.470		AXIAL NEEDLE BEARING	1			50,8X67,5X4,0	0,029		
30	1087.340.011		SNAP RING	1			2X2 GRAD KONISCH	0,030		
50	1087.340.030		RING GEAR	1			RS3	0,658		
70	1087.340.011		SNAP RING	1			2X2 GRAD KONISCH	0,030		
100	1087.240.049		PLANETARY DRIVE	1				0,760		
120	0735.368.299		AXIAL NEEDLE BEARING	1			57,0X72,7X4,0	0,033		
140	1087.340.035		SNAP RING	1				0,052		
160	1091.240.017		SUN GEAR	1			KPL.RS3*OPT.V1	0,000		
170	0735.300.297		AXIAL NEEDLE BEARING	1			57,6X89,1X3,8	0,045		

Parts list

Page 1 from 1

Material number: 1087.036.006

8 HP 55 A HIS SW /

Material-assembly-group-no: 1087.142.823



Pos.	Material number	Customer material	Name	Quantity	ME	Amend. no.	Techn. Info.	Weight	Rep kit	Alternative material
10	1087.242.212		OUTPUT SHAFT	1				3,586		
20	0501.324.816		PLUG	1				0,001		
26	1087.342.073		SEALING CAP	1				0,001		
30	0735.368.316		AXIAL NEEDLE BEARING	1			31,4X48,4X5,0	0,028		
80	0501.326.444		PIN	4				0,140		
90	0501.325.404		NEEDLE CAGE	4				0,065		
100	1087.342.268		PLANET GEAR	4			RS4	0,311		
110	1087.342.159		THRUST WASHER	8				0,010		
160	1087.342.160		SNAP RING	1			A=1,50	0,022		
180	0501.325.661		CYLINDER	1				0,271		
200	1087.342.270		RING GEAR	1			RS4	0,948		
220	1087.342.135		POT	1			RS1	0,852		
240	1087.342.052		SNAP RING	1			2X2 GRAD KONISCH	0,039		
270	0734.307.424		PISTON RING	2				0,001		

Parts list

Page 1 from 3

Material number: 1087.036.006

8 HP 55 A HIS SW /

Material-assembly-group-no: 1087.150.026



Pos.	Material number	Customer material	Name	Quantity	ME	Amend. no.	Techn. Info.	Weight	Rep kit	Alternative material
10	1087.327.176		VALVE HOUSING	1				2,240		
30	0501.219.672		PARKING LOCK	1				0,000		
50	1068.327.119		FIXING PLATE	1			MV2	0,004		
70	---		TORX SCREW	1			M5X12	0,000		
---	0736.101.356		TORX SCREW	1			M5X12 IN 0736 101 351(1)	0,004		
80	0732.300.039		COMPRSPRING	1				0,005		
90	1087.327.111		PISTON	1				0,026		
100	1087.327.112		BUSH	1				0,004		
110	1068.327.006		SUPPORT PLATE	1				0,004		
140	1087.327.116		PISTON	1				0,011		
150	0732.041.337		COMPRSPRING	1				0,001		
170	1043.323.105		SUPPORT PLATE	1				0,002		
180	0732.300.054		COMPRSPRING	1				0,001		
200	1087.327.156		PISTON	1				0,012		
210	1068.327.160		PLUG	1			ENTHALT.IN 1068 327 158(2)	0,004		
220	1068.327.021		SPRING CLAMP	1				0,005		
230	1087.327.158		PISTON	1				0,008		
250	1068.327.160		PLUG	1			ENTHALT.IN 1068 327 158(2)	0,004		
270	1068.327.021		SPRING CLAMP	1				0,005		
280	1087.327.130		PISTON	1				0,007		
290	0732.042.853		COMPRSPRING	1			HYDR. SCHALTGERAET	0,003		
320	1043.323.105		SUPPORT PLATE	1				0,002		
326	0732.042.852		COMPRSPRING	1			HYDR. SCHALTGERAET	0,003		
330	1087.327.130		PISTON	1				0,007		
350	1068.327.151		PLUG	1			FUER KLAMMER	0,003		
370	1068.327.152		CLIP	1				0,002		

Parts list

Page 2 from 3

Material number: 1087.036.006

8 HP 55 A HIS SW /

Material-assembly-group-no: 1087.150.026



Pos.	Material number	Customer material	Name	Quantity	ME	Amend. no.	Techn. Info.	Weight	Rep kit	Alternative material
390	1087.327.207		PISTON	1		Z00011705310		0,008		
400	0732.043.511		COMPRSPRING	1		Z00011705310		0,002		
410	1068.327.151		PLUG	1			FUER KLAMMER	0,003		
420	1068.327.152		CLIP	1				0,002		
440	0732.042.853		COMPRSPRING	1			HYDR. SCHALTGERAET	0,003		
450	1087.327.130		PISTON	1				0,007		
460	1068.327.151		PLUG	1			FUER KLAMMER	0,003		
470	1068.327.152		CLIP	1				0,002		
490	1087.327.159		PISTON	1				0,008		
510	1068.327.151		PLUG	1			FUER KLAMMER	0,003		
520	1068.327.152		CLIP	1				0,002		
530	1087.327.159		PISTON	1				0,008		
550	1068.327.151		PLUG	1			FUER KLAMMER	0,003		
560	1068.327.152		CLIP	1				0,002		
590	0732.042.853		COMPRSPRING	1			HYDR. SCHALTGERAET	0,003		
600	1087.327.130		PISTON	1				0,007		
610	1068.327.151		PLUG	1			FUER KLAMMER	0,003		
620	1068.327.152		CLIP	1				0,002		
640	1087.327.157		PISTON	1				0,008		
660	1068.327.151		PLUG	1			FUER KLAMMER	0,003		
670	1068.327.152		CLIP	1				0,002		
690	1087.327.157		PISTON	1				0,008		
710	1068.327.151		PLUG	1			FUER KLAMMER	0,003		
720	1068.327.152		CLIP	1				0,002		
730	0501.325.143		SOLENOID VALVE	1				0,063		
740	0501.218.797		PRESSURE REGULATOR	1				0,088		
750	0501.218.796		PRESSURE REGULATOR	1				0,088		
760	0501.218.797		PRESSURE REGULATOR	1				0,088		
770	0501.218.796		PRESSURE REGULATOR	1				0,088		

Parts list

Page 3 from 3

Material number: 1087.036.006

8 HP 55 A HIS SW /

Material-assembly-group-no: 1087.150.026



Pos.	Material number	Customer material	Name	Quantity	ME	Amend. no.	Techn. Info.	Weight	Rep kit	Alternative material
780	0501.218.796		PRESSURE REGULATOR	1				0,088		
790	0501.218.796		PRESSURE REGULATOR	1				0,088		
800	0501.218.796		PRESSURE REGULATOR	1				0,088		
810	1068.327.146		FIXING PLATE	1				0,040		
820	0736.101.356		TORX SCREW	9			M5X12 IN 0736 101 351(1)	0,004		
830	1068.227.010		CLIP	1			KPL.	0,005		

Parts list

Page 1 from 1

Material number: 1087.036.006

8 HP 55 A HIS SW /

Material-assembly-group-no: 1087.151.029



Pos.	Material number	Customer material	Name	Quantity	ME	Amend. no.	Techn. Info.	Weight	Rep kit	Alternative material
10	1087.327.174		VALVE PLATE	1				2,020		
30	1087.327.043		PISTON	1			WD-V	0,008		
40	0732.041.109		COMPRSPRING	1				0,002		
60	1068.327.160		PLUG	1			ENTHALT.IN 1068 327 158(2)	0,004		
70	1068.327.021		SPRING CLAMP	1				0,005		
140	1085.327.010		PISTON	1			POSITIONS-VENTIL	0,003		
150	1085.327.009		PISTON	1			POSITIONS-VENTIL	0,010		
160	0732.300.050		COMPRSPRING	1				0,002		
170	1043.323.105		SUPPORT PLATE	1				0,002		
190	1087.327.238		PISTON	1		Z00012266810		0,006		
200	0732.300.159		COMPRSPRING	1		Z00012266810		0,002		
220	1043.323.105		SUPPORT PLATE	1				0,002		
240	1087.327.134		PISTON	1				0,006		
250	0732.041.856		COMPRSPRING	1				0,002		
270	1043.323.105		SUPPORT PLATE	1				0,002		
280	1087.327.130		PISTON	1				0,007		
310	0732.042.853		COMPRSPRING	1			HYDR. SCHALTGERAET	0,003		
320	1043.323.105		SUPPORT PLATE	1				0,002		
330	1087.327.130		PISTON	1				0,007		
350	0732.042.853		COMPRSPRING	1			HYDR. SCHALTGERAET	0,003		
360	1043.323.105		SUPPORT PLATE	1				0,002		

Parts list

Page 1 from 1

Material number: 1087.036.006

8 HP 55 A HIS SW /

Material-assembly-group-no: 1087.170.815



Pos.	Material number	Customer material	Name	Quantity	ME	Amend. no.	Techn. Info.	Weight	Rep kit	Alternative material
10	1087.370.023		PISTON	1			A	0,163		
30	0501.324.937		LIP SEALING RING	1			129,9X139,9X3,9X2,5	0,007		
50	0501.324.936		LIP SEALING RING	1				0,005		
70	0501.324.776		CUP SPRING	1			A	0,110		
80	1087.370.014		SPLIT RING	1			A	0,016		
90	0501.327.470		AXIAL NEEDLE BEARING	1			50,8X67,5X4,0	0,029		
100	0501.323.623		ANGLE DISC	1				0,012		
110	---		SUN GEAR SHAFT	1			*8HP70	0,000		
120	0501.324.839		UNDULATSPRING	1				0,032		
130	1087.370.009		OCLUTCH DISC	5			A	0,083		
140	0501.324.212		FRICTION PLATE	5				0,035		
150	1087.370.010		OCLUTCH DISC	1			ENDLAMELLE A	0,138		
160	---		SNAP RING	1			S= 1,80- 3,00(ABSTUFUNG:0,20MM)	0,000		
---	0730.514.136		SNAP RING	1			A=3,00	0,046		
---	0730.514.135		SNAP RING	1			A=2,80	0,043		
---	0730.514.134		SNAP RING	1			A=2,60	0,040		
---	0730.514.133		SNAP RING	1			A=2,40	0,037		
---	0730.514.132		SNAP RING	1			A=2,20	0,034		
---	0730.514.131		SNAP RING	1			A=2,00	0,031		
---	0730.514.130		SNAP RING	1			A=1,80	0,028		
220	0501.327.470		AXIAL NEEDLE BEARING	1			50,8X67,5X4,0	0,029		

Parts list

Page 1 from 1

Material number: 1087.036.006

8 HP 55 A HIS SW /

Material-assembly-group-no: 1087.171.008



Pos.	Material number	Customer material	Name	Quantity	ME	Amend. no.	Techn. Info.	Weight	Rep kit	Alternative material
10	1087.271.013		CYLINDER	1		Z00005930310		0,550		
30	0501.324.843		UNDULATSPRING	1				0,028		
40	1087.375.024		ICLUTCH DISC	5			A=2.1 IN 1087 375 016(1)	0,126		
50	0501.324.268		FRICTION PLATE	5				0,054		
60	---		ICLUTCH DISC	1			S= 3,00- 4,50(ABSTUFUNG:0,30MM)	0,000		
---	1087.375.023		ICLUTCH DISC	1			A=4.5 IN 1087 375 016(1)	0,269		
---	1087.375.022		ICLUTCH DISC	1			A=4.2 IN 1087 375 016(1)	0,252		
---	1087.375.021		ICLUTCH DISC	1			A=3.9 IN 1087 375 016(1)	0,234		
---	1087.375.020		ICLUTCH DISC	1			A=3.6 IN 1087 375 016(1)	0,216		
---	1087.375.019		ICLUTCH DISC	1			A=3.3 IN 1087 375 016(1)	0,198		
---	1087.375.018		ICLUTCH DISC	1			A=3.0 IN 1087 375 016(1)	0,180		
70	0501.326.356		CUP SPRING	1				0,093		
80	0734.313.895		ROUND SEALING RING	1			38,5X2,65	0,001		
90	0734.300.255		ROUND SEALING RING	1			41X1,5	0,001		
100	0501.328.074		PISTON	1			E	0,000		
110	1087.371.019		SUPPORT SHIM	1				0,122		
120	0501.323.394		LIP SEALING RING	1			93X103X3,9X2,5	0,005		
140	1087.371.015		WIRE RING	1				0,008		

Parts list

Page 1 from 1

Material number: 1087.036.006

8 HP 55 A HIS SW /

Material-assembly-group-no: 1087.172.832



Pos.	Material number	Customer material	Name	Quantity	ME	Amend. no.	Techn. Info.	Weight	Rep kit	Alternative material
10	0501.327.153		UNDULATSPRING	1		Z00006437210		50,800		
20	1087.372.066		OCLUTCH DISC	5		Z00006437210		0,130		
30	0501.329.947		FRICTION PLATE	5				0,000		
40	---		OCLUTCH DISC	1		Z00007682811	S= 4,60- 5,80(ABSTUFUNG:0,20MM)	0,000		
---	1087.372.074		OCLUTCH DISC	1			A=5,8	0,432		
---	1087.372.073		OCLUTCH DISC	1			A=5,6	0,417		
---	1087.372.014		OCLUTCH DISC	1			A=5,4 IN 1087 372 010(1)	0,358		
---	1087.372.072		OCLUTCH DISC	1			A=5,2	0,388		
---	1087.372.071		OCLUTCH DISC	1			A=5,0	0,374		
---	1087.372.012		OCLUTCH DISC	1			A=4,8 IN 1087 372 010(1)	0,318		
---	1087.372.070		OCLUTCH DISC	1			A=4,6 A=4,6	0,345		
100	1087.372.063		PISTON	1				0,359		
110	0501.323.398		LIP SEALING RING	1				0,009		
120	0501.325.522		PROFILE SEALING RING	1				0,008		
130	0501.328.075		CYLINDER	1			B	0,186		
140	0734.313.894		ROUND SEALING RING	1			198X2,65	0,005		

Parts list

Page 1 from 1

Material number: 1087.036.006

8 HP 55 A HIS SW /

Material-assembly-group-no: 1087.173.806



Pos.	Material number	Customer material	Name	Quantity	ME	Amend. no.	Techn. Info.	Weight	Rep kit	Alternative material
30	1087.273.008		PISTON	1			KPL. IN 1087 273 007(2)	0,662		
50	0734.313.221		ROUND SEALING RING	1			62X2,65	0,001		
70	0501.324.778		CUP SPRING	1			D	0,114		
80	1087.373.013		OIL DAM	1			D	0,228		
100	0734.313.007		ROUND SEALING RING	1			ENTHALT.IN 0734 313 005(1)	0,002		
120	0501.324.842		UNDULATSPRING	1				0,035		
140	1087.373.023		OCLUTCH DISC	4			D IN 1087 373 022(1)	0,118		
160	0501.326.037		FRICTION PLATE	4			L=2,12	0,054		
170	1087.373.024		OCLUTCH DISC	1			D ENDLAMELLE GENOPPT	0,177		
180	---		SNAP RING	1			S= 1,60- 2,80(ABSTUFUNG:0,20MM)	0,000		
---	0730.514.107		SNAP RING	1			A=2,80	0,047		
---	0730.514.106		SNAP RING	1			A=2,60	0,044		
---	0730.514.105		SNAP RING	1			A=2,40	0,041		
---	0730.514.104		SNAP RING	1			A=2,20	0,037		
---	0730.514.103		SNAP RING	1			A=2,00	0,034		
---	0730.514.102		SNAP RING	1			A=1,80	0,030		
---	0730.514.101		SNAP RING	1			A=1,60	0,027		
250	1087.373.030		POT	1				0,910		

Parts list

Page 1 from 1

Material number: 1087.036.006

8 HP 55 A HIS SW /

Material-assembly-group-no: 1102.175.800



Pos.	Material number	Customer material	Name	Quantity	ME	Amend. no.	Techn. Info.	Weight	Rep kit	Alternative material
10	1087.375.032		HUB	1				0,294		
20	0734.313.896		ROUND SEALING RING	2			31,5X2 IN 0734 313 005(0)	0,001		
50	1087.375.012		CYLINDER	1			C	0,407		
60	0501.324.841		UNDULATSPRING	1				0,032		
80	1087.375.024		ICLUTCH DISC	6			A=2.1 IN 1087 375 016(1)	0,126		
100	0501.324.268		FRICTION PLATE	6				0,054		
110	---		ICLUTCH DISC	1			S= 3,00- 4,50(ABSTUFUNG:0,30MM)	0,000		
---	1087.375.023		ICLUTCH DISC	1			A=4.5 IN 1087 375 016(1)	0,269		
---	1087.375.022		ICLUTCH DISC	1			A=4.2 IN 1087 375 016(1)	0,252		
---	1087.375.021		ICLUTCH DISC	1			A=3.9 IN 1087 375 016(1)	0,234		
---	1087.375.020		ICLUTCH DISC	1			A=3.6 IN 1087 375 016(1)	0,216		
---	1087.375.019		ICLUTCH DISC	1			A=3.3 IN 1087 375 016(1)	0,198		
---	1087.375.018		ICLUTCH DISC	1			A=3.0 IN 1087 375 016(1)	0,180		
120	0501.324.777		CUP SPRING	1			C	0,085		
130	0734.313.895		ROUND SEALING RING	2			38,5X2,65	0,001		
160	0501.328.073		PISTON	1			C	0,476		
180	1087.375.014		SUPPORT SHIM	1			C	0,095		
200	0501.324.413		LIP SEALING RING	1			81,8X91,8X3,9X2,5	0,004		
220	0730.514.098		SNAP RING	1				0,010		
300	1087.242.173		SUN GEAR SHAFT	1				1,639		
330	0735.368.316		AXIAL NEEDLE BEARING	1			31,4X48,4X5,0	0,028		
350	0735.368.316		AXIAL NEEDLE BEARING	1			31,4X48,4X5,0	0,028		

Parts list

Page 1 from 1

Material number: 1087.036.006

8 HP 55 A HIS SW /

Material-assembly-group-no: 1087.192.048



Pos.	Material number	Customer material	Name	Quantity	ME	Amend. no.	Techn. Info.	Weight	Rep kit	Alternative material
	1087.192.048		CONSERVATION	1			KA 0/KI 1*ZFN916* PRUEFST. *9, 060DM3GE*1, 000DM3DI*1, 030DM3HA	0,000		

Parts list

Page 1 from 1

Material number: 1087.036.006

8 HP 55 A HIS SW /

Material-assembly-group-no: 1084.197.902



Pos.	Material number	Customer material	Name	Quantity	ME	Amend. no.	Techn. Info.	Weight	Rep kit	Alternative material
10	1084.397.002		RETAINING CLIP	1				0,110		
20	---		BOLT+NUT	1			M12X70	0,000		
---	0636.011.033		HEXAGON BOLT	1			M12X70	0,070		
---	0637.006.202		HEXAGON NUT	1			M12	0,010		
30	---		HEXAGON BOLT	1			M12X16	0,000		
---	0636.016.136		HEXAGON BOLT	1			M12X16	0,028		
40	0501.325.199		BRACKET	1				0,000		

Parts list

Page 1 from 1

Material number: 1087.036.006

8 HP 55 A HIS SW /

Material-assembly-group-no: 6058.008.060



Pos.	Material number	Customer material	Name	Quantity	ME	Amend. no.	Techn. Info.	Weight	Rep kit	Alternative material
	6058.008.060		E-MODUL 8-GANG	1		Z00006410322	D2-MUSTER	0,600		