



Spare Parts Catalog

8 HP 45 X HIS SW

Material number: 1090.026.011

1090.024.012

ZF Friedrichshafen AG

Hauptverwaltung

80038 Friedrichshafen

Deutschland

Telefon: +49 7541 77-0

Telefax: +49 7541 77-908000

www.zf.com

zuständiges Werk:

Saarbrücken



| Pos. | Information | Amendment number |
|------|---|------------------|
| 001 | Use case ----- | |
| 002 | Customer Bayerische Motoren Werke (BMW) | |
| 003 | City Muenchen | |
| 004 | DUNS 31-536-9934 | |
| 005 | Vehicle / Apparatus ----- | |
| 006 | Sales Name BMW X3 | |
| 007 | Manufacturer Bayerische Motoren Werke (BMW) | |
| 008 | Engineering Name F25 | |
| 009 | Product Use CAR | |
| 010 | Vehicle/Hardware Type SUV | |
| 011 | SOP | |
| 012 | Engine | |
| 013 | Sales Designation N55B30M0 | |
| 014 | Manufacturer Bayerische Motoren Werke (BMW) | |
| 015 | Drivetrain type GAS | |
| 016 | Eng.Displ. 2996 cm3 | |
| 017 | Cylinder 6 | |
| 018 | Nom. power 225 kW | |
| 019 | RPM at nom. power 5800 1/min | |
| 020 | Nom. torque 400 Nm | |
| 021 | RPM at nom. torque 1300 1/min | |
| 022 | Classification use case ----- | |
| 023 | REAR AXLE RATIO 3.38 | |
| 024 | DYNAMIC TYRE RADIUS 341 mm | |
| 029 | Product description ----- | |
| 030 | INSTALLATION POS TRANSMISSION LENGTHWISE | |
| 031 | DESIGN, CONSTRUCTION STAGE VS | |
| 033 | CODE, CUSTOMER WD8 | |
| 035 | Documents ----- | |
| 036 | TRANSMISSION Drawing 1090.620.002 | |
| 037 | Kundenfreigabe_8HP45_1 Graphic 000000276036 | |
| 038 | Alias ID ----- | |

Technical Cover

Page 2 from 2

Material number: 1090.026.011

8 HP 45 X HIS SW /



| Pos. | Information | Amendment number |
|------|---|------------------|
| 039 | Bayerische Motoren Werke (BMW) 2400-7616512 | |

Assembly group overview

Material number: 1090.026.011

8 HP 45 X HIS SW /

Page 1 from 1



| Graphics | Pos. | Material number | Name | Quantity | Amend. no. | Techn. Info. |
|-------------|------|-----------------|---------------|----------|------------|--------------|
| 168.28.11-1 | KIT | 1090.198.998 | MECHATRONIC | 1 | | |
| 176.a1.02-1 | 710 | 1090.024.012 | 8 HP 45 X HIS | 1 | | |

Plant

Page 1 from 1

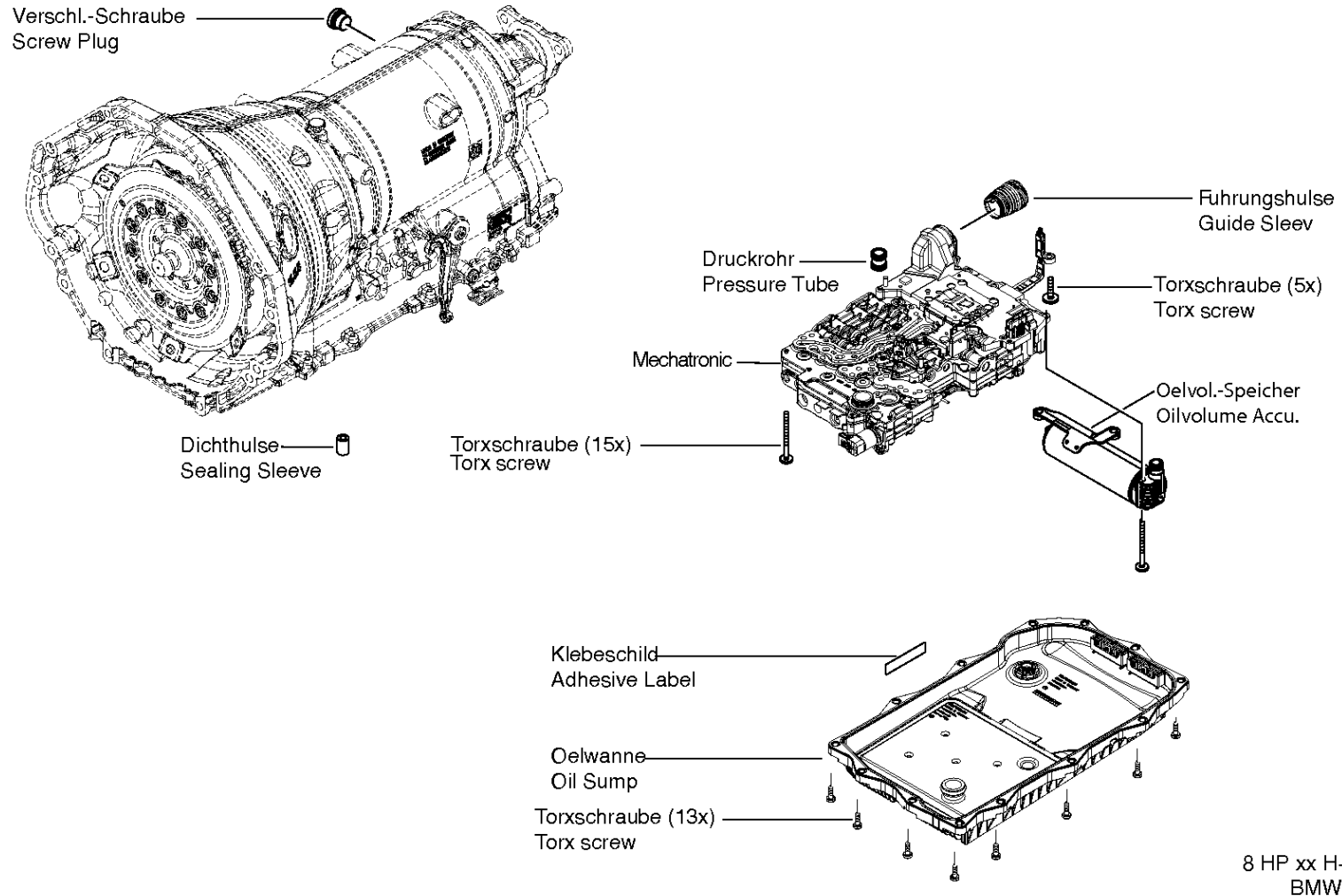
Material number: 1090.026.011

Plant: 168.28.11-1

Material-assembly-group-no: 1090.198.998

8 HP 45 X HIS SW /

MECHATRONIC



Parts list

Page 1 from 1

Material number: 1090.026.011

8 HP 45 X HIS SW /

Plant: 168.28.11-1

Material-assembly-group-no: 1090.198.998



| Pos. | Material number | Customer material | Name | Quantity | ME | Amend. no. | Techn. Info. | Weight | Rep kit | Alternative material |
|------|-----------------|-------------------|-----------------|----------|----|--------------|---|--------|---------|----------------------|
| 20 | 1087.301.006 | | SEALING SLEEVE | 1 | | | B IN 1087 301 012(2) | 0,002 | | |
| 270 | 1090.128.313 | | MECHATRONIC | 1 | | | E*INT.EGS*MECH-S1* GD*HIS*P_SYS_MIN=3. 5BAR | 0,000 | | |
| /900 | 1090.150.004 | | VALVE HOUSING | 1 | | | | 0,000 | | |
| /910 | 1087.151.028 | | VALVE PLATE | 1 | | | E*MECH-S1*GD | 0,000 | | |
| /910 | 6058.008.065 | | E-MODUL 8-GANG | 1 | | Z00006410318 | D2-MUSTER | 0,600 | | |
| /920 | 1087.127.845 | | CONTROL UNIT | 1 | | | ANBAU | 0,000 | | |
| /920 | 1090.126.803 | | MODULE | 1 | | Z00006410318 | ANBAU*INT EGS | 0,000 | | |
| 450 | 0736.101.348 | | TORX SCREW | 15 | | | | 0,015 | | |
| 570 | 0736.101.375 | | TORX SCREW | 5 | | | | 0,002 | | |
| 640 | 1087.227.004 | | PRESSURE TUBE | 1 | | | KPL. | 0,010 | | |
| 670 | 0501.216.364 | | GUIDE SLEEVE | 1 | | | | 0,017 | | |
| 680 | 0501.327.294 | | OIL VOLUME ACCU | 1 | | | | 1,157 | | |
| 700 | 0637.900.038 | | PLUG | 1 | | | | 0,004 | | |
| 720 | 6059.308.019 | | SOFTWARE | 1 | | | 845J5510.HEX | 0,000 | | |
| 500 | 1087.298.053 | | OIL SUMP | 1 | | | 8HP45/70*45/70X+HIS* 70H*BMW* | 1,350 | | |

Plant

Page 1 from 1

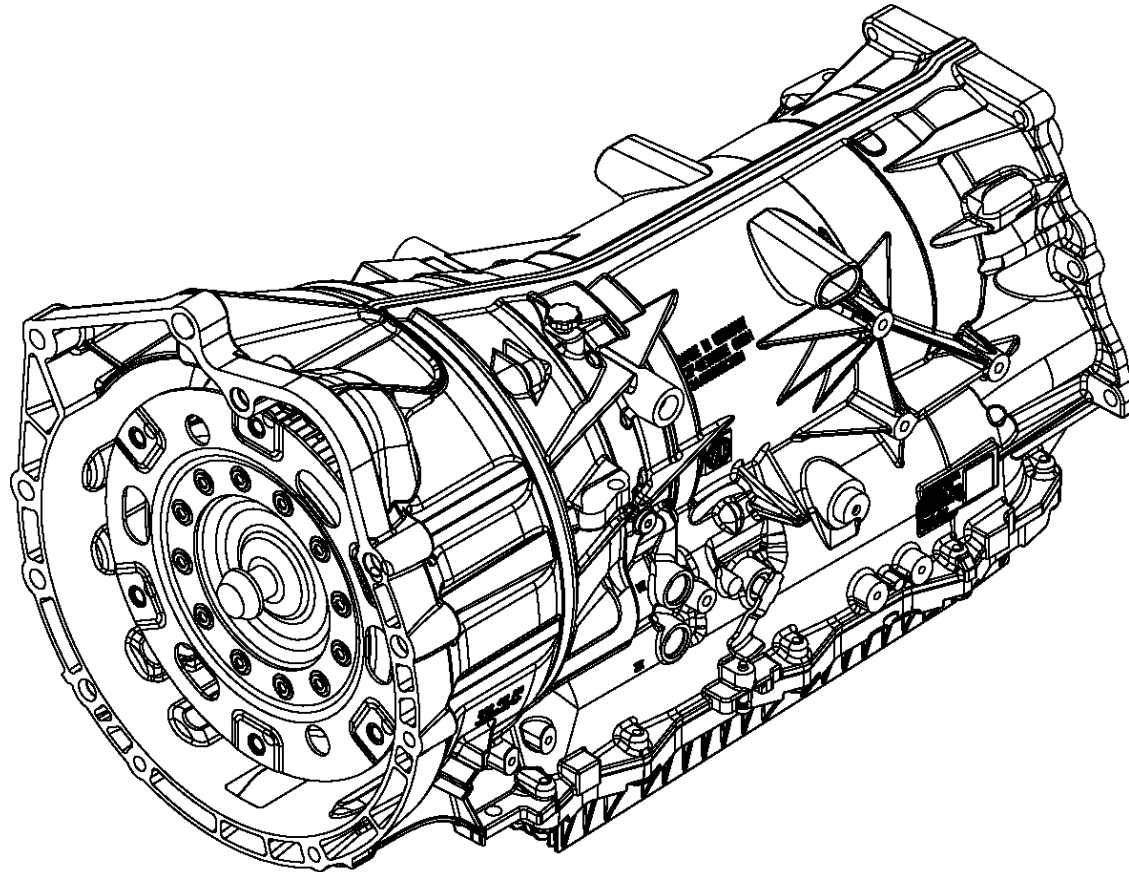
Material number: 1090.026.011

Plant: 176.a1.02-1

Material-assembly-group-no: 1090.024.012

8 HP 45 X HIS SW /

8 HP 45 X HIS



8 HP 45 X
BMW
N52/N55

Assembly group overview

Material number: 1090.024.012

8 HP 45 X HIS SW /



Page 1 from 2

| Graphics | Pos. | Material number | Name | Quantity | Amend. no. | Techn. Info. |
|-------------|------|-----------------|-------------------|----------|------------|--------------|
| 176.01.02-1 | 118 | 1090.101.661 | GEARBOX HOUSING | 1 | | |
| 176.01.02-1 | 120 | 1090.101.906 | GEARBOX HOUSING | 1 | | |
| | 170 | 1090.102.808 | INPUT | 1 | | |
| | 300 | 1087.103.813 | OIL SUMP | 1 | | |
| 168.06.31-1 | 228 | 1087.106.817 | GEAR SHIFT SYSTEM | 1 | | |
| | 198 | 1090.110.801 | OIL SUPPLY | 1 | | |
| | 900 | 1090.110.035 | OIL SUPPLY | 1 | | |
| | 138 | 1090.114.827 | OUTPUT | 1 | | |
| | 140 | 1087.114.900 | OUTPUT | 1 | | |
| | 320 | 1090.322.131 | CONVERTER | 1 | | |
| | 248 | 1090.124.823 | PARKING LOCK | 1 | | |
| | 920 | 1090.126.803 | MODULE | 1 | | |
| | 280 | 1087.127.900 | MECHATRONIC | 1 | | |
| | 278 | 1087.128.815 | MECHATRONIC | 1 | | |
| | 980 | 1090.131.822 | PLANETARY DRIVE | 1 | | |
| | 970 | 1090.132.817 | PLANETARY DRIVE | 1 | | |
| | 960 | 1090.140.817 | PLANETARY DRIVE | 1 | | |
| | 900 | 1090.142.809 | PLANETARY DRIVE | 1 | | |
| | 900 | 1090.142.139 | PLANETARY DRIVE | 1 | | |
| | 900 | 1090.150.004 | VALVE HOUSING | 1 | | |
| | 910 | 1087.151.028 | VALVE PLATE | 1 | | |
| | 920 | 1087.127.845 | CONTROL UNIT | 1 | | |
| | 920 | 1090.170.815 | COUPLING | 1 | | |
| | 950 | 1090.171.012 | COUPLING | 1 | | |
| | 160 | 1090.172.820 | COUPLING | 1 | | |
| | 910 | 1090.172.826 | COUPLING | 1 | | |
| | 910 | 1090.173.808 | COUPLING | 1 | | |
| | 920 | 1090.173.806 | COUPLING | 1 | | |
| | 930 | 1090.175.808 | COUPLING | 1 | | |
| | 940 | 1090.175.010 | COUPLING | 1 | | |
| | 84 | 1090.192.005 | CONSERVATION | 1 | | |

Assembly group overview

Material number: 1090.024.012

8 HP 45 X HIS SW /

Page 2 from 2



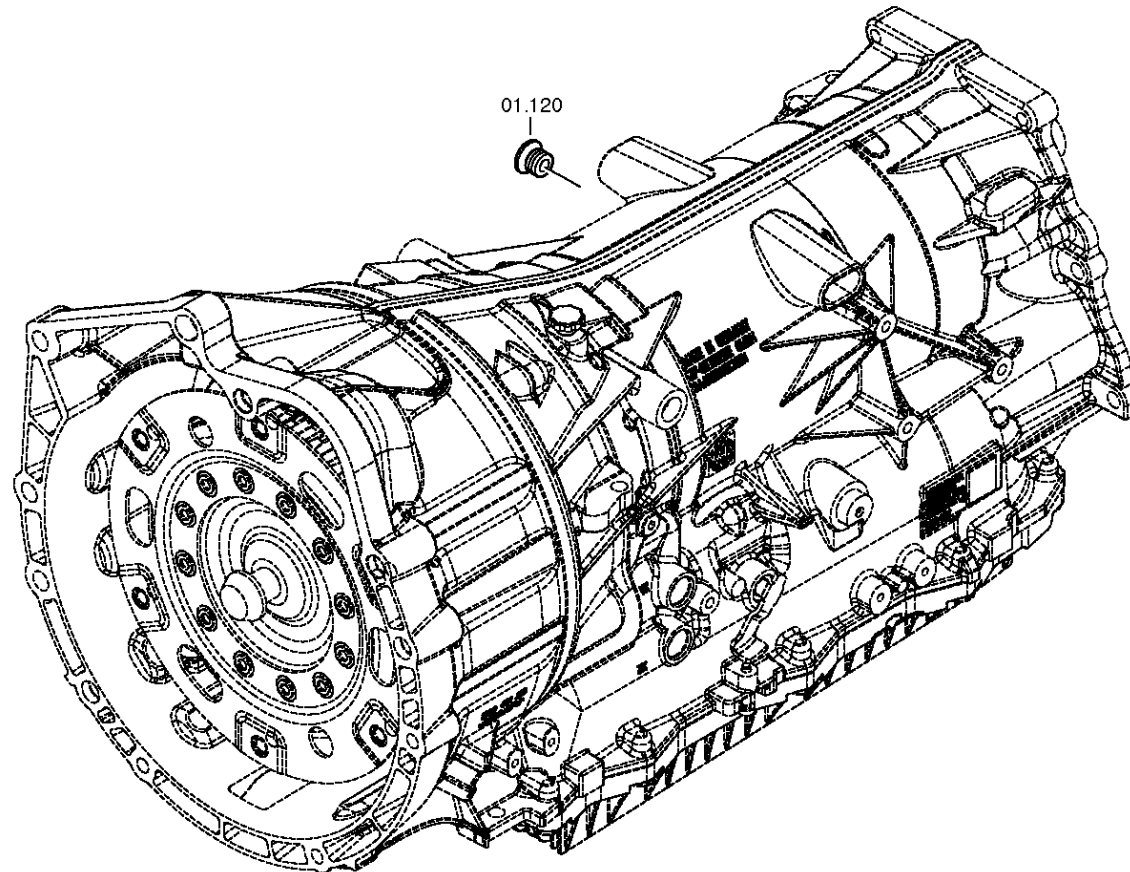
| Graphics | Pos. | Material number | Name | Quantity | Amend. no. | Techn. Info. |
|-------------|------|-----------------|----------------------|----------|------------|--------------|
| 114.97.11-1 | 62 | 1071.197.903 | PACKING | 1 | | |
| 177.01.11-1 | KIT | 1091.298.003 | SMALL COMPONENTS SET | 1 | | |
| 176.22.01-1 | KIT | 1090.298.002 | CONVERTER | 1 | | |
| 168.06.21-1 | KIT | 1087.298.058 | GEAR SHIFT SYSTEM | 1 | | |
| 168.28.21-1 | KIT | 1087.298.056 | OIL VOLUME ACCU | 1 | | |
| 168.03.01-1 | KIT | 1087.298.053 | OIL SUMP | 1 | | |
| 168.14.03-1 | KIT | 1087.298.030 | OUTPUT | 1 | | |
| 168.22.11-1 | KIT | 1087.298.007 | SEAL KIT | 1 | | |
| 009.g3.01-1 | KIT | 1043.298.121 | CLOSING COMPONENTS | 1 | | |
| | 910 | 6058.008.065 | E-MODUL 8-GANG | 1 | | |

Plant

Page 1 from 1

Material number: 1090.024.012
Plant: 176.01.02-1
GEARBOX HOUSING

8 HP 45 X HIS SW /
GEARBOX HOUSING



8 HP 45 X
BMW

Parts list

Page 1 from 1

Material number: 1090.024.012

8 HP 45 X HIS SW /

Plant: 176.01.02-1

Material-assembly-group-no: 1090.101.661



| Pos. | Material number | Customer material | Name | Quantity | ME | Amend. no. | Techn. Info. | Weight | Rep kit | Alternative material |
|------|-----------------|-------------------|-----------------|----------|----|------------|----------------------|--------|---------|----------------------|
| 10 | --- | | GEARBOX HOUSING | 1 | | | | 0,000 | | |
| 20 | 1087.301.006 | | SEALING SLEEVE | 1 | | | B IN 1087 301 012(2) | 0,002 | | |
| 30 | 0631.306.127 | | CYLINDRICAL PIN | 1 | | | 6X24 | 0,005 | | |
| 70 | 0501.314.851 | | BREATHER TUBE | 1 | | | | 0,006 | | |
| 80 | 0501.314.809 | | BREATHER COVER | 1 | | | | 0,001 | | |
| 100 | 0501.321.921 | | SCREW PLUG | 1 | | | M10X1 | 0,008 | | |
| 120 | 0501.321.922 | | SCREW PLUG | 1 | | | | 0,032 | | |
| 140 | 0501.326.152 | | PLUG | 1 | | | | 0,003 | | |
| 840 | 0666.692.055 | | CODE LABEL | 1 | | | | 0,001 | | |

Parts list

Page 1 from 1

Material number: 1090.024.012

8 HP 45 X HIS SW /

Material-assembly-group-no: 1090.102.808



| Pos. | Material number | Customer material | Name | Quantity | ME | Amend. no. | Techn. Info. | Weight | Rep kit | Alternative material |
|------|-----------------|-------------------|----------------------|----------|----|------------|--------------------|--------|---------|----------------------|
| 50 | 0735.368.294 | | AXIAL NEEDLE BEARING | 1 | | | 50,8X67,5X4 FA.INA | 0,040 | | |
| 70 | 1090.231.071 | | RING GEAR | 1 | | | RS1 | 1,517 | | |
| 80 | 0501.327.285 | | ANGLE DISC | 1 | | | | 0,027 | | |
| 170 | 0734.313.897 | | ROUND SEALING RING | 1 | | | 23,52X1,78 | 0,003 | | |

Parts list

Page 1 from 1

Material number: 1090.024.012

8 HP 45 X HIS SW /

Material-assembly-group-no: 1087.103.813



| Pos. | Material number | Customer material | Name | Quantity | ME | Amend. no. | Techn. Info. | Weight | Rep kit | Alternative material |
|------|-----------------|-------------------|----------------|----------|----|------------|--------------|--------|---------|----------------------|
| 10 | 0501.218.048 | | OIL SUMP | 1 | | | | 1,260 | | |
| /10 | 0501.324.810 | | GASKET | 1 | | | | 0,052 | | |
| /20 | 0501.323.928 | | O-RING | 1 | | | | 0,002 | | |
| /30 | 0501.325.941 | | SCREW PLUG | 1 | | | | 0,008 | | |
| 20 | 0501.326.933 | | ADHESIVE LABEL | 1 | | | | 0,001 | | |
| 30 | 0736.101.486 | | TORX SCREW | 13 | | | | 0,012 | | |

Plant

Page 1 from 1

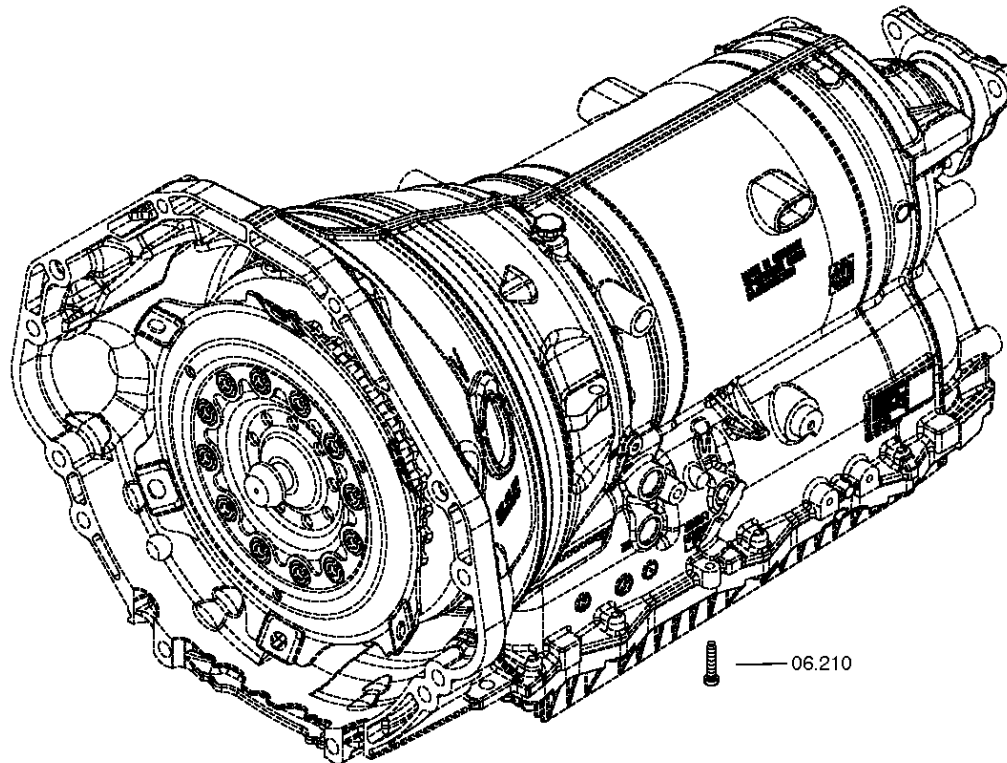
Material number: 1090.024.012

Plant: 168.06.31-1

Material-assembly-group-no: 1087.106.817

8 HP 45 X HIS SW /

GEAR SHIFT SYSTEM



8 HP 45 / 70
8 P 70

Parts list

Page 1 from 1

Material number: 1090.024.012

8 HP 45 X HIS SW /

Plant: 168.06.31-1

Material-assembly-group-no: 1087.106.817



| Pos. | Material number | Customer material | Name | Quantity | ME | Amend. no. | Techn. Info. | Weight | Rep kit | Alternative material |
|------|-----------------|-------------------|-----------|----------|----|------------|--------------|--------|---------|----------------------|
| 210 | 1087.306.063 | | CAP SCREW | 1 | | | | 0,007 | | |

Parts list

Page 1 from 1

Material number: 1090.024.012

8 HP 45 X HIS SW /

Material-assembly-group-no: 1090.110.801



| Pos. | Material number | Customer material | Name | Quantity | ME | Amend. no. | Techn. Info. | Weight | Rep kit | Alternative material |
|------|-----------------|-------------------|--------------------|----------|----|------------|---------------------------------------|--------|---------|----------------------|
| 10 | 1090.210.109 | | INTERMPLATE | 1 | | | | 0,000 | | |
| 20 | 0735.298.399 | | NEEDLE SLEEVE | 1 | | | W-KAEFIG 33,0X39, 0x21,0 | 0,029 | | |
| 30 | 0730.514.096 | | SNAP RING | 1 | | | | 0,004 | | |
| 40 | 0501.218.885 | | PUMP | 1 | | | | 0,000 | | |
| 60 | 0501.329.171 | | CHAIN | 1 | | | | 0,068 | | |
| 80 | 1087.210.266 | | SPROCKET WHEEL | 1 | | | KPL. VERB.TOLERANZ | 0,000 | | |
| /110 | --- | | SPROCKET WHEEL | 1 | | | WTB | 0,000 | | |
| /120 | 0501.326.875 | | UNDULATSPRING | 1 | | | | 0,700 | | |
| /130 | 0501.323.708 | | PISTON RING | 1 | | | | 0,007 | | |
| /140 | 0501.326.909 | | ANGLE DISC | 1 | | | | 0,010 | | |
| 100 | 1090.210.128 | | CENTERING PLATE | 1 | | | KPL. | 0,000 | | |
| 110 | 0736.010.388 | | TORX SCREW | 6 | | | M6X24 | 0,003 | | |
| 200 | 0734.313.893 | | ROUND SEALING RING | 1 | | | 271X3 | 0,008 | | |
| 210 | --- | | SHIM | 1 | | | S= 3,40 - 4,80(ABSTUFUNG: 0,20MM) | 0,000 | | |
| --- | 0501.325.565 | | SHIM | 1 | | | T=4,8 | 0,067 | | |
| --- | 0501.325.564 | | SHIM | 1 | | | T=4,6 | 0,064 | | |
| --- | 0501.325.563 | | SHIM | 1 | | | T=4,4 | 0,061 | | |
| --- | 0501.325.562 | | SHIM | 1 | | | T=4,2 | 0,059 | | |
| --- | 0501.325.561 | | SHIM | 1 | | | T=4,0 | 0,056 | | |
| --- | 0501.325.560 | | SHIM | 1 | | | T=3,8 | 0,053 | | |
| --- | 0501.325.559 | | SHIM | 1 | | | T=3,6 | 0,050 | | |
| --- | 0501.324.915 | | SHIM | 1 | | | T=3,4 IN 0501 324 907(2) | 0,028 | | |
| 230 | 0736.300.068 | | TORX SCREW | 13 | | | M8X70 | 0,013 | | |

Parts list

Page 1 from 1

Material number: 1090.024.012

8 HP 45 X HIS SW /

Material-assembly-group-no: 1090.114.827



| Pos. | Material number | Customer material | Name | Quantity | ME | Amend. no. | Techn. Info. | Weight | Rep kit | Alternative material |
|------|-----------------|-------------------|----------------------|----------|----|------------|--------------|--------|---------|----------------------|
| 10 | 0501.326.060 | | NEEDLE SLEEVE | 1 | | | | 0,104 | | |
| 20 | 1087.314.026 | | SNAP RING | 1 | | | | 0,007 | | |
| 30 | 0501.326.212 | | SEALING SLEEVE | 1 | | | | 0,033 | | |
| 34 | 1087.342.136 | | SNAP RING | 1 | | | | 0,007 | | |
| 50 | 0501.326.600 | | AXIAL NEEDLE BEARING | 1 | | | | 0,065 | | |
| 60 | 1087.314.019 | | SUPPORT SHIM | 1 | | | | 0,091 | | |
| 66 | 0730.113.895 | | THRUST WASHER | 1 | | | A=1,00 | 0,004 | | |
| 70 | 1087.314.023 | | SNAP RING | 1 | | | | 0,022 | | |
| 76 | 0730.300.255 | | SNAP RING | 1 | | | | 0,004 | | |
| 90 | 0750.111.470 | | SHAFT SEAL | 1 | | | 39X72X8 | 0,028 | | |
| 300 | 0501.322.075 | | PROTECTING CAP | 1 | | | | 0,008 | | |

Parts list

Page 1 from 1

Material number: 1090.024.012

8 HP 45 X HIS SW /

Material-assembly-group-no: 1090.322.131



| Pos. | Material number | Customer material | Name | Quantity | ME | Amend. no. | Techn. Info. | Weight | Rep kit | Alternative material |
|------|-----------------|-------------------|-----------|----------|----|------------|--------------|--------|---------|----------------------|
| | 1090.322.131 | | CONVERTER | 1 | | | 170*U137 | 14,300 | | |

Parts list

Page 1 from 1

Material number: 1090.024.012

8 HP 45 X HIS SW /

Material-assembly-group-no: 1090.124.823



| Pos. | Material number | Customer material | Name | Quantity | ME | Amend. no. | Techn. Info. | Weight | Rep kit | Alternative material |
|------|-----------------|-------------------|---------------------------|----------|----|------------|--------------------|--------|---------|----------------------|
| 10 | 1087.324.022 | | PIN | 1 | | | | 0,055 | | |
| 20 | 0501.321.922 | | SCREW PLUG | 1 | | | | 0,032 | | |
| 40 | 1087.324.090 | | PAWL | 1 | | | | 0,214 | | |
| 60 | 1090.324.013 | | LEG SPRING | 1 | | | | 0,004 | | |
| 80 | 1090.224.057 | | CONNECTING BAR | 1 | | | | 0,081 | | |
| 110 | 1087.324.139 | | GUIDING PLATE | 1 | | | | 0,083 | | |
| 120 | 1087.324.045 | | HEXALOBULAR DRIVING SCREW | 3 | | | M6X20*PRECOTE 85-3 | 0,007 | | |

Parts list

Page 1 from 1

Material number: 1090.024.012

8 HP 45 X HIS SW /

Material-assembly-group-no: 1090.126.803



| Pos. | Material number | Customer material | Name | Quantity | ME | Amend. no. | Techn. Info. | Weight | Rep kit | Alternative material |
|-------|-----------------|-------------------|-----------------|----------|----|------------|--|--------|---------|----------------------|
| 30 | 0736.101.354 | | TORX SCREW | 5 | | | M5X60 IN 0736 101 351(1) | 0,010 | | |
| 110 | 1087.227.028 | | WIRING HARNESS | 1 | | | 8HP E-SCHALT PZYL HIS OHNE SCHLAUCH | 0,051 | | |
| /100 | 6029.201.996 | | PLUG | 1 | | | 8POL BU MLK KOSTAL 8HP | 0,000 | | |
| /200 | 6029.207.902 | | PLUG | 1 | | | 2POL ST MPQ 2.8 0,5/0,5 | 0,027 | | |
| /201 | 0659.120.090 | | LINE | 480 | | | | 0,000 | | |
| /202 | 0659.120.086 | | LINE | 480 | | | | 0,000 | | |
| /300 | 6029.201.997 | | PLUG | 1 | | | 2POL BU SLK 2,8 GF30 | 0,000 | | |
| /301 | 0659.120.119 | | LINE | 375 | | | | 0,000 | | |
| /302 | 0659.120.196 | | LINE | 375 | | | | 0,000 | | |
| /6003 | 0659.145.056 | | INSULATING HOSE | 190 | | | 4,5X0,5 | 0,000 | | |
| /9201 | 0501.324.947 | | BOTTOM | 1 | | | KABELKANAL | 0,000 | | |
| /9202 | 0501.324.946 | | COVER | 1 | | | KABELKANAL | 0,000 | | |

Parts list

Page 1 from 1

Material number: 1090.024.012

8 HP 45 X HIS SW /

Material-assembly-group-no: 1087.127.900



| Pos. | Material number | Customer material | Name | Quantity | ME | Amend. no. | Techn. Info. | Weight | Rep kit | Alternative material |
|------|-----------------|-------------------|------|----------|----|------------|--------------|--------|---------|----------------------|
| 850 | 1068.327.144 | | CAP | 1 | | | | 0,005 | | |

Parts list

Page 1 from 1

Material number: 1090.024.012

8 HP 45 X HIS SW /

Material-assembly-group-no: 1087.128.815



| Pos. | Material number | Customer material | Name | Quantity | ME | Amend. no. | Techn. Info. | Weight | Rep kit | Alternative material |
|------|-----------------|-------------------|----------------|----------|----|------------|--------------|--------|---------|----------------------|
| 450 | --- | | TORX SCREW | 15 | | | M6X59 | 0,000 | | |
| --- | 0736.101.348 | | TORX SCREW | 15 | | | | 0,015 | | |
| 570 | 0736.101.375 | | TORX SCREW | 4 | | | | 0,002 | | |
| 580 | 0736.101.375 | | TORX SCREW | 1 | | | | 0,002 | | |
| 640 | 1087.227.004 | | PRESSURE TUBE | 1 | | | KPL. | 0,010 | | |
| 670 | 0501.216.364 | | GUIDE SLEEVE | 1 | | | | 0,017 | | |
| 680 | 0501.327.294 | | OILVOLUME ACCU | 1 | | | | 1,157 | | |

Parts list

Page 1 from 1

Material number: 1090.024.012

8 HP 45 X HIS SW /

Material-assembly-group-no: 1090.131.822



| Pos. | Material number | Customer material | Name | Quantity | ME | Amend. no. | Techn. Info. | Weight | Rep kit | Alternative material |
|------|-----------------|-------------------|-----------------|----------|----|------------|---------------|--------|---------|----------------------|
| 10 | 1090.231.135 | | PLANETARY DRIVE | 1 | | | KPL. RS1/4PL. | 1,590 | | |
| 20 | 1090.331.075 | | SNAP RING | 1 | | | RS I | 0,038 | | |

Parts list

Page 1 from 1

Material number: 1090.024.012

8 HP 45 X HIS SW /

Material-assembly-group-no: 1090.132.817



| Pos. | Material number | Customer material | Name | Quantity | ME | Amend. no. | Techn. Info. | Weight | Rep kit | Alternative material |
|------|-----------------|-------------------|-----------------|----------|----|------------|--------------|--------|---------|----------------------|
| 10 | 1090.232.108 | | PLANETARY DRIVE | 1 | | | 3PL | 1,227 | | |
| 20 | 1090.332.012 | | OIL TRAY | 1 | | | RS II 3PL | 0,008 | | |
| 30 | 1090.232.054 | | INPUT SHAFT | 1 | | | KPL. | 2,295 | | |
| /110 | 1090.332.057 | | INPUT SHAFT | 1 | | | | 2,298 | | |
| /120 | 1087.332.037 | | SEALING SLEEVE | 1 | | | 3L WANDLER | 0,019 | | |
| /130 | 0501.327.169 | | PLUG | 1 | | | VERLÄNGERT | 2,510 | | |
| /140 | 0501.327.169 | | PLUG | 1 | | | VERLÄNGERT | 2,510 | | |
| 50 | 1090.332.027 | | SNAP RING | 1 | | | | 0,008 | | |
| 60 | 0501.324.727 | | ANGLE DISC | 1 | | | | 0,018 | | |
| 80 | 0501.327.948 | | PISTON RING | 5 | | | 31,4X2 | 0,001 | | |
| 90 | 0501.327.948 | | PISTON RING | 2 | | | 31,4X2 | 0,001 | | |
| 120 | 1090.332.073 | | SUN GEAR | 1 | | | RS1*2 | 0,559 | | |

Parts list

Page 1 from 1

Material number: 1090.024.012

8 HP 45 X HIS SW /

Material-assembly-group-no: 1090.140.817



| Pos. | Material number | Customer material | Name | Quantity | ME | Amend. no. | Techn. Info. | Weight | Rep kit | Alternative material |
|------|-----------------|-------------------|----------------------|----------|----|------------|----------------------|--------|---------|----------------------|
| 10 | 0735.368.300 | | AXIAL NEEDLE BEARING | 1 | | | 46,3X63,0X4,0 | 0,030 | | |
| 30 | 1090.375.018 | | SNAP RING | 1 | | | 2X2 GRAD KONISCH | 0,026 | | |
| 50 | 1090.340.022 | | RING GEAR | 1 | | | | 0,156 | | |
| 70 | 1090.375.018 | | SNAP RING | 1 | | | 2X2 GRAD KONISCH | 0,026 | | |
| 100 | 1090.240.058 | | PLANETARY DRIVE | 1 | | | | 0,582 | | |
| 120 | 0501.327.470 | | AXIAL NEEDLE BEARING | 1 | | | 50,8X67,5X4,0 | 0,029 | | |
| 140 | 1090.340.027 | | SNAP RING | 1 | | | | 0,044 | | |
| 160 | 1090.240.057 | | SUN GEAR | 1 | | | KPL. RS3 | 0,000 | | |
| 170 | 0735.300.299 | | AXIAL NEEDLE BEARING | 1 | | | 46,8X85,0X3,8 FA.INA | 0,045 | | |

Parts list

Page 1 from 1

Material number: 1090.024.012

8 HP 45 X HIS SW /

Material-assembly-group-no: 1090.142.809



| Pos. | Material number | Customer material | Name | Quantity | ME | Amend. no. | Techn. Info. | Weight | Rep kit | Alternative material |
|------|-----------------|-------------------|----------------------|----------|----|------------|----------------|--------|---------|----------------------|
| 10 | 1090.242.207 | | OUTPUT SHAFT | 1 | | | | 3,464 | | |
| 20 | 0501.324.816 | | PLUG | 1 | | | | 0,001 | | |
| 26 | 1087.342.073 | | SEALING CAP | 1 | | | | 0,001 | | |
| 30 | 0735.368.310 | | AXIAL NEEDLE BEARING | 1 | | | 27,5x44,5x5,0 | 0,026 | | |
| 80 | 0501.326.442 | | PIN | 4 | | | RS4 | 0,113 | | |
| 90 | 0735.321.677 | | NEEDLE CAGE | 4 | | | 23,0X31,0X25,8 | 0,044 | | |
| 100 | 1090.342.191 | | PLANET GEAR | 4 | | | RS4 | 0,220 | | |
| 110 | 0730.300.989 | | THRUST WASHER | 8 | | | | 0,007 | | |
| 160 | 1090.342.048 | | SNAP RING | 1 | | | | 0,018 | | |
| 180 | 0501.327.840 | | CYLINDER | 1 | | | | 0,236 | | |
| 200 | 1090.342.062 | | RING GEAR | 1 | | | RS4 Z60 | 0,668 | | |
| 220 | 1090.342.080 | | POT | 1 | | | RS1 | 0,701 | | |
| 240 | 1090.342.072 | | SNAP RING | 1 | | | | 0,029 | | |
| 270 | 0734.307.424 | | PISTON RING | 2 | | | | 0,001 | | |

Parts list

Page 1 from 3

Material number: 1090.024.012

8 HP 45 X HIS SW /

Material-assembly-group-no: 1090.150.004



| Pos. | Material number | Customer material | Name | Quantity | ME | Amend. no. | Techn. Info. | Weight | Rep kit | Alternative material |
|------|-----------------|-------------------|---------------|----------|----|--------------|-------------------------------|--------|---------|----------------------|
| 10 | 1087.327.173 | | VALVE HOUSING | 1 | | | | 2,240 | | |
| 30 | 0501.219.672 | | PARKING LOCK | 1 | | | | 0,000 | | |
| 50 | 1068.327.119 | | FIXING PLATE | 1 | | | MV2 | 0,004 | | |
| 70 | 0736.101.356 | | TORX SCREW | 1 | | | M5X12 IN 0736 101 351(1) | 0,004 | | |
| 80 | 0732.300.056 | | COMPRSPRING | 1 | | | | 0,003 | | |
| 90 | 1087.327.111 | | PISTON | 1 | | | | 0,026 | | |
| 100 | 1087.327.112 | | BUSH | 1 | | | | 0,004 | | |
| 110 | 1068.327.006 | | SUPPORT PLATE | 1 | | | | 0,004 | | |
| 140 | 1087.327.116 | | PISTON | 1 | | | | 0,011 | | |
| 150 | 0732.041.337 | | COMPRSPRING | 1 | | | | 0,001 | | |
| 170 | 1043.323.105 | | SUPPORT PLATE | 1 | | | | 0,002 | | |
| 180 | 0732.300.054 | | COMPRSPRING | 1 | | | | 0,001 | | |
| 200 | 1087.327.156 | | PISTON | 1 | | | | 0,012 | | |
| 210 | 1068.327.160 | | PLUG | 1 | | | ENTHALT.IN 1068 327 158(2) | 0,004 | | |
| 220 | 1068.327.021 | | SPRING CLAMP | 1 | | | | 0,005 | | |
| 230 | 1087.327.158 | | PISTON | 1 | | | | 0,008 | | |
| 250 | 1068.327.160 | | PLUG | 1 | | | ENTHALT.IN 1068 327 158(2) | 0,004 | | |
| 270 | 1068.327.021 | | SPRING CLAMP | 1 | | | | 0,005 | | |
| 280 | 1087.327.130 | | PISTON | 1 | | | | 0,007 | | |
| 290 | 0732.042.853 | | COMPRSPRING | 1 | | | HYDR. SCHALTGERAET | 0,003 | | |
| 320 | 1043.323.105 | | SUPPORT PLATE | 1 | | | | 0,002 | | |
| 326 | 0732.042.852 | | COMPRSPRING | 1 | | | HYDR. SCHALTGERAET | 0,003 | | |
| 330 | 1087.327.130 | | PISTON | 1 | | | | 0,007 | | |
| 350 | 1068.327.151 | | PLUG | 1 | | | FUER KLAMMER | 0,003 | | |
| 370 | 1068.327.152 | | CLIP | 1 | | | | 0,002 | | |
| 390 | 1087.327.207 | | PISTON | 1 | | Z00011705310 | | 0,008 | | |

Parts list

Page 2 from 3

Material number: 1090.024.012

8 HP 45 X HIS SW /

Material-assembly-group-no: 1090.150.004



| Pos. | Material number | Customer material | Name | Quantity | ME | Amend. no. | Techn. Info. | Weight | Rep kit | Alternative material |
|------|-----------------|-------------------|--------------------|----------|----|--------------|-----------------------|--------|---------|----------------------|
| 400 | 0732.043.511 | | COMPRSPRING | 1 | | Z00011705310 | | 0,002 | | |
| 410 | 1068.327.151 | | PLUG | 1 | | | FUER KLAMMER | 0,003 | | |
| 420 | 1068.327.152 | | CLIP | 1 | | | | 0,002 | | |
| 440 | 0732.042.853 | | COMPRSPRING | 1 | | | HYDR. SCHALTGERAET | 0,003 | | |
| 450 | 1087.327.130 | | PISTON | 1 | | | | 0,007 | | |
| 460 | 1068.327.151 | | PLUG | 1 | | | FUER KLAMMER | 0,003 | | |
| 470 | 1068.327.152 | | CLIP | 1 | | | | 0,002 | | |
| 490 | 1087.327.159 | | PISTON | 1 | | | | 0,008 | | |
| 510 | 1068.327.151 | | PLUG | 1 | | | FUER KLAMMER | 0,003 | | |
| 520 | 1068.327.152 | | CLIP | 1 | | | | 0,002 | | |
| 530 | 1087.327.159 | | PISTON | 1 | | | | 0,008 | | |
| 550 | 1068.327.151 | | PLUG | 1 | | | FUER KLAMMER | 0,003 | | |
| 560 | 1068.327.152 | | CLIP | 1 | | | | 0,002 | | |
| 590 | 0732.042.853 | | COMPRSPRING | 1 | | | HYDR. SCHALTGERAET | 0,003 | | |
| 600 | 1087.327.130 | | PISTON | 1 | | | | 0,007 | | |
| 610 | 1068.327.151 | | PLUG | 1 | | | FUER KLAMMER | 0,003 | | |
| 620 | 1068.327.152 | | CLIP | 1 | | | | 0,002 | | |
| 640 | 1087.327.157 | | PISTON | 1 | | | | 0,008 | | |
| 660 | 1068.327.151 | | PLUG | 1 | | | FUER KLAMMER | 0,003 | | |
| 670 | 1068.327.152 | | CLIP | 1 | | | | 0,002 | | |
| 690 | 1087.327.157 | | PISTON | 1 | | | | 0,008 | | |
| 710 | 1068.327.151 | | PLUG | 1 | | | FUER KLAMMER | 0,003 | | |
| 720 | 1068.327.152 | | CLIP | 1 | | | | 0,002 | | |
| 730 | 0501.325.143 | | SOLENOID VALVE | 1 | | | | 0,063 | | |
| 740 | 0501.218.797 | | PRESSURE REGULATOR | 1 | | | | 0,088 | | |
| 750 | 0501.218.796 | | PRESSURE REGULATOR | 1 | | | | 0,088 | | |
| 760 | 0501.218.797 | | PRESSURE REGULATOR | 1 | | | | 0,088 | | |
| 770 | 0501.218.797 | | PRESSURE REGULATOR | 1 | | | | 0,088 | | |
| 780 | 0501.218.796 | | PRESSURE REGULATOR | 1 | | | | 0,088 | | |

Parts list

Page 3 from 3

Material number: 1090.024.012

8 HP 45 X HIS SW /

Material-assembly-group-no: 1090.150.004



| Pos. | Material number | Customer material | Name | Quantity | ME | Amend. no. | Techn. Info. | Weight | Rep kit | Alternative material |
|------|-----------------|-------------------|--------------------|----------|----|------------|-----------------------------|--------|---------|----------------------|
| 790 | 0501.218.797 | | PRESSURE REGULATOR | 1 | | | | 0,088 | | |
| 800 | 0501.218.796 | | PRESSURE REGULATOR | 1 | | | | 0,088 | | |
| 810 | 1068.327.146 | | FIXING PLATE | 1 | | | | 0,040 | | |
| 820 | 0736.101.356 | | TORX SCREW | 9 | | | M5X12 IN 0736 101 351(1) | 0,004 | | |
| 830 | 1068.227.010 | | CLIP | 1 | | | KPL. | 0,005 | | |

Parts list

Page 1 from 2

Material number: 1090.024.012

8 HP 45 X HIS SW /

Material-assembly-group-no: 1087.151.028



| Pos. | Material number | Customer material | Name | Quantity | ME | Amend. no. | Techn. Info. | Weight | Rep kit | Alternative material |
|------|-----------------|-------------------|---------------|----------|----|--------------|----------------------------|--------|---------|----------------------|
| 10 | 1087.327.174 | | VALVE PLATE | 1 | | | | 2,020 | | |
| 30 | 1087.327.043 | | PISTON | 1 | | | WD-V | 0,008 | | |
| 40 | 0732.041.921 | | COMPRSPRING | 1 | | | | 0,002 | | |
| 60 | 1068.327.160 | | PLUG | 1 | | | ENTHALT.IN 1068 327 158(2) | 0,004 | | |
| 70 | 1068.327.021 | | SPRING CLAMP | 1 | | | | 0,005 | | |
| 140 | 1085.327.010 | | PISTON | 1 | | | POSITIONS-VENTIL | 0,003 | | |
| 150 | 1085.327.009 | | PISTON | 1 | | | POSITIONS-VENTIL | 0,010 | | |
| 160 | 0732.300.050 | | COMPRSPRING | 1 | | | | 0,002 | | |
| 170 | 1043.323.105 | | SUPPORT PLATE | 1 | | | | 0,002 | | |
| 190 | 1087.327.238 | | PISTON | 1 | | Z00012266810 | | 0,006 | | |
| 200 | 0732.300.159 | | COMPRSPRING | 1 | | Z00012266810 | | 0,002 | | |
| 220 | 1043.323.105 | | SUPPORT PLATE | 1 | | | | 0,002 | | |
| 240 | 1087.327.134 | | PISTON | 1 | | | | 0,006 | | |
| 250 | 0732.041.856 | | COMPRSPRING | 1 | | | | 0,002 | | |
| 270 | 1043.323.105 | | SUPPORT PLATE | 1 | | | | 0,002 | | |
| 280 | 1087.327.130 | | PISTON | 1 | | | | 0,007 | | |
| 310 | 0732.042.853 | | COMPRSPRING | 1 | | | HYDR. SCHALTGERAET | 0,003 | | |
| 320 | 1043.323.105 | | SUPPORT PLATE | 1 | | | | 0,002 | | |
| 330 | 1087.327.130 | | PISTON | 1 | | | | 0,007 | | |
| 350 | 0732.042.853 | | COMPRSPRING | 1 | | | HYDR. SCHALTGERAET | 0,003 | | |
| 360 | 1043.323.105 | | SUPPORT PLATE | 1 | | | | 0,002 | | |
| 690 | 1068.227.022 | | VALVE | 4 | | | | 0,008 | | |
| 710 | 1068.227.061 | | VALVE | 1 | | | KPL. IN 1060 227 018(2) | 0,001 | | |
| 730 | 1087.327.041 | | PISTON | 1 | | | SDB V | 0,001 | | |
| 740 | 0732.300.017 | | COMPRSPRING | 1 | | | | 0,002 | | |
| 760 | 0501.216.254 | | SCREEN FILTER | 1 | | | | 0,001 | | |
| 770 | 1068.327.098 | | BALL | 6 | | | | 0,149 | | |
| 780 | 0501.311.653 | | SCREEN | 1 | | | | 0,002 | | |

Parts list

Page 2 from 2

Material number: 1090.024.012

8 HP 45 X HIS SW /

Material-assembly-group-no: 1087.151.028



| Pos. | Material number | Customer material | Name | Quantity | ME | Amend. no. | Techn. Info. | Weight | Rep kit | Alternative material |
|------|-----------------|-------------------|--------------------|----------|----|------------|-----------------------------|--------|---------|----------------------|
| 790 | 1068.327.143 | | SPHERICAL PIECE | 1 | | | | 0,001 | | |
| 800 | 1068.227.039 | | PISTON | 7 | | | | 0,010 | | |
| 820 | 1087.227.012 | | SUCTION CONNECTOR | 1 | | | KPL. *8HP* OELVERSORGUNG | 0,017 | | |
| 830 | 0501.227.048 | | INTERMEDIATE SHEET | 1 | | | E*E26/1/6*MECH-S1 | 0,271 | | |
| /10 | 1087.327.175 | | INTERMEDIATE SHEET | 1 | | | E*E26/1/6*MECH-S1 | 0,269 | | |
| /20 | 0501.324.233 | | GASKET | 1 | | | SIEBDRUCK | 0,000 | | |
| 840 | 0736.101.352 | | TORX SCREW | 20 | | | | 0,008 | | |

Parts list

Page 1 from 1

Material number: 1090.024.012

8 HP 45 X HIS SW /

Material-assembly-group-no: 1090.170.815



| Pos. | Material number | Customer material | Name | Quantity | ME | Amend. no. | Techn. Info. | Weight | Rep kit | Alternative material |
|------|-----------------|-------------------|----------------------|----------|----|------------|--|--------|---------|----------------------|
| 10 | 1090.370.006 | | PISTON | 1 | | | A | 0,133 | | |
| 30 | 0501.323.593 | | LIP SEALING RING | 1 | | | 116,8X126,8X3,9X2,5 | 0,006 | | |
| 50 | 0501.323.592 | | LIP SEALING RING | 1 | | | | 0,454 | | |
| 70 | 0501.324.786 | | CUP SPRING | 1 | | | | 0,065 | | |
| 80 | 1087.370.014 | | SPLIT RING | 1 | | | A | 0,016 | | |
| 90 | 0501.327.470 | | AXIAL NEEDLE BEARING | 1 | | | 50,8X67,5X4,0 | 0,029 | | |
| 100 | 0501.323.623 | | ANGLE DISC | 1 | | | | 0,012 | | |
| 110 | --- | | SUN GEAR SHAFT | 1 | | | *8HP45 | 0,000 | | |
| 120 | 0501.324.792 | | UNDULATSPRING | 1 | | | | 0,032 | | |
| 130 | 1090.370.002 | | OCLUTCH DISC | 5 | | | A | 0,072 | | |
| 140 | 0501.324.710 | | FRICTION PLATE | 5 | | | | 0,031 | | |
| 150 | 1090.370.003 | | END DISC | 1 | | | | 0,121 | | |
| 160 | --- | | SNAP RING | 1 | | | WTB 1090 370 019 -A= 2,2 - 3,2 (ABSTUFUNG: 0,20MM) | 0,000 | | |
| --- | 1090.370.027 | | SNAP RING | 1 | | | S=3,2 | 0,041 | | |
| --- | 1090.370.026 | | SNAP RING | 1 | | | S=3,0 | 0,039 | | |
| --- | 1090.370.025 | | SNAP RING | 1 | | | S=2,8 | 0,036 | | |
| --- | 1090.370.024 | | SNAP RING | 1 | | | S=2,6 | 0,034 | | |
| --- | 1090.370.023 | | SNAP RING | 1 | | | S=2,4 | 0,031 | | |
| --- | 1090.370.022 | | SNAP RING | 1 | | | S=2,2 | 0,028 | | |
| 220 | 0501.327.470 | | AXIAL NEEDLE BEARING | 1 | | | 50,8X67,5X4,0 | 0,029 | | |

Parts list

Page 1 from 1

Material number: 1090.024.012

8 HP 45 X HIS SW /

Material-assembly-group-no: 1090.171.012



| Pos. | Material number | Customer material | Name | Quantity | ME | Amend. no. | Techn. Info. | Weight | Rep kit | Alternative material |
|------|-----------------|-------------------|--------------------|----------|----|------------|-----------------------------------|--------|---------|----------------------|
| 10 | 1090.271.009 | | CYLINDER | 1 | | | | 0,391 | | |
| 30 | 0501.324.794 | | UNDULATSPRING | 1 | | | | 0,026 | | |
| 40 | 1090.375.019 | | ICLUTCH DISC | 6 | | | A=2,1 | 0,089 | | |
| 50 | 0501.325.962 | | FRICTION PLATE | 6 | | | | 0,078 | | |
| 60 | --- | | ICLUTCH DISC | 1 | | | S=3,00-4,50 (ABSTUFUNG:0,3MM) | 0,000 | | |
| --- | 1090.375.015 | | ICLUTCH DISC | 1 | | | A=4.5 1090 375 007(1) | 0,192 | | |
| --- | 1090.375.014 | | ICLUTCH DISC | 1 | | | A=4.2 1090 375 007(1) | 0,179 | | |
| --- | 1090.375.013 | | ICLUTCH DISC | 1 | | | A=3.9 1090 375 007(1) | 0,166 | | |
| --- | 1090.375.012 | | ICLUTCH DISC | 1 | | | A=3.6 1090 375 007(1) | 0,153 | | |
| --- | 1090.375.011 | | ICLUTCH DISC | 1 | | | A=3.3 1090 375 007(1) | 0,141 | | |
| --- | 1090.375.010 | | ICLUTCH DISC | 1 | | | A=3.0 1090 375 007(1) | 0,128 | | |
| 70 | 0501.326.355 | | CUP SPRING | 1 | | | | 0,053 | | |
| 80 | 0734.313.895 | | ROUND SEALING RING | 1 | | | 38,5X2,65 | 0,001 | | |
| 90 | 0734.300.255 | | ROUND SEALING RING | 1 | | | 41X1,5 | 0,001 | | |
| 100 | 0501.325.337 | | PISTON | 1 | | | | 0,459 | | |
| 110 | 1090.371.011 | | SUPPORT SHIM | 1 | | | | 0,098 | | |
| 120 | 0501.324.413 | | LIP SEALING RING | 1 | | | 81,8X91,8X3,9X2,5 | 0,004 | | |
| 140 | 1087.371.015 | | WIRE RING | 1 | | | | 0,008 | | |

Parts list

Page 1 from 1

Material number: 1090.024.012

8 HP 45 X HIS SW /

Material-assembly-group-no: 1090.172.820



| Pos. | Material number | Customer material | Name | Quantity | ME | Amend. no. | Techn. Info. | Weight | Rep kit | Alternative material |
|------|-----------------|-------------------|----------------------|----------|----|--------------|-------------------------------------|--------|---------|----------------------|
| 10 | 0501.324.796 | | UNDULATSPRING | 1 | | | | 0,048 | | |
| 20 | 1090.372.016 | | OCLUTCH DISC | 5 | | | B/T=1.8 IN 1090 372 015(1) | 0,102 | | |
| 30 | 0501.329.161 | | FRICITION PLATE | 5 | | | | 0,045 | | |
| 40 | --- | | OCLUTCH DISC | 1 | | Z00007685010 | S= 4,60- 5,80(ABSTUFUNG:0,20MM) | 0,000 | | |
| --- | 1090.372.066 | | OCLUTCH DISC | 1 | | | A=5,8 | 0,334 | | |
| --- | 1090.372.065 | | OCLUTCH DISC | 1 | | | A=5,6 | 0,322 | | |
| --- | 1090.372.054 | | OCLUTCH DISC | 1 | | | A=5.4 A=5.4 | 0,311 | | |
| --- | 1090.372.064 | | OCLUTCH DISC | 1 | | | A=5,2 | 0,299 | | |
| --- | 1090.372.063 | | OCLUTCH DISC | 1 | | | A=5,0 | 0,288 | | |
| --- | 1090.372.056 | | OCLUTCH DISC | 1 | | | A=4.8 A=4.8 | 0,276 | | |
| --- | 1090.372.062 | | OCLUTCH DISC | 1 | | | A=4,6 | 0,265 | | |
| 100 | 1090.372.033 | | PISTON | 1 | | | | 0,278 | | |
| 110 | 0501.323.594 | | LIP SEALING RING | 1 | | | | 0,008 | | |
| 120 | 0501.325.521 | | PROFILE SEALING RING | 1 | | | | 0,008 | | |
| 130 | 0501.324.725 | | CYLINDER | 1 | | | | 0,178 | | |
| 140 | 0734.313.914 | | ROUND SEALING RING | 1 | | | 177X2,65 | 0,004 | | |

Parts list

Page 1 from 1

Material number: 1090.024.012

8 HP 45 X HIS SW /

Material-assembly-group-no: 1090.173.808



| Pos. | Material number | Customer material | Name | Quantity | ME | Amend. no. | Techn. Info. | Weight | Rep kit | Alternative material |
|------|-----------------|-------------------|--------------------|----------|----|------------|----------------------------------|--------|---------|----------------------|
| 30 | 1090.273.003 | | PISTON | 1 | | | KPL. | 0,520 | | |
| /10 | 1090.373.018 | | PISTON | 1 | | | | 0,415 | | |
| /20 | 1090.373.010 | | OIL BAFFLE PLATE | 1 | | | D | 0,110 | | |
| 50 | 0734.313.033 | | ROUND SEALING RING | 1 | | | ENTHALT.IN 0734 313 005(1) | 0,001 | | |
| 70 | 0501.324.788 | | CUP SPRING | 1 | | | | 0,060 | | |
| 80 | 1090.373.006 | | OIL DAM | 1 | | | D | 0,127 | | |
| 100 | 0734.313.027 | | ROUND SEALING RING | 1 | | | ENTHALT.IN 0734 313 005(1) | 0,002 | | |
| 120 | 0501.324.795 | | UNDULATSPRING | 1 | | | | 0,024 | | |
| 140 | 1090.373.004 | | OCLUTCH DISC | 4 | | | D | 0,089 | | |
| 160 | 0501.325.445 | | FRICITION PLATE | 4 | | | | 0,039 | | |
| 170 | 1090.373.005 | | OCLUTCH DISC | 1 | | | D ENDLAMELLE GENOPPT | 0,128 | | |
| 180 | --- | | SNAP RING | 1 | | | S= 1,60- 3,00(ABSTUFUNG:0,20MM) | 0,000 | | |
| --- | 0730.514.136 | | SNAP RING | 1 | | | A=3,00 | 0,046 | | |
| --- | 0730.514.135 | | SNAP RING | 1 | | | A=2,80 | 0,043 | | |
| --- | 0730.514.134 | | SNAP RING | 1 | | | A=2,60 | 0,040 | | |
| --- | 0730.514.133 | | SNAP RING | 1 | | | A=2,40 | 0,037 | | |
| --- | 0730.514.132 | | SNAP RING | 1 | | | A=2,20 | 0,034 | | |
| --- | 0730.514.131 | | SNAP RING | 1 | | | A=2,00 | 0,031 | | |
| --- | 0730.514.130 | | SNAP RING | 1 | | | A=1,80 | 0,028 | | |
| --- | 0730.514.129 | | SNAP RING | 1 | | | A=1,60 | 0,025 | | |
| 250 | 1090.373.020 | | POT | 1 | | | | 0,719 | | |

Parts list

Page 1 from 1

Material number: 1090.024.012

8 HP 45 X HIS SW /

Material-assembly-group-no: 1090.175.808



| Pos. | Material number | Customer material | Name | Quantity | ME | Amend. no. | Techn. Info. | Weight | Rep kit | Alternative material |
|------|-----------------|-------------------|----------------------|----------|----|--------------|--------------------------------|--------|---------|----------------------|
| 10 | 1090.375.030 | | HUB | 1 | | | | 0,251 | | |
| 20 | 0734.313.896 | | ROUND SEALING RING | 2 | | | 31,5X2 IN 0734 313 005(0) | 0,001 | | |
| 50 | --- | | CYLINDER | 1 | | | | 0,000 | | |
| --- | 1090.375.022 | | CYLINDER | 1 | | | C | 0,262 | | |
| 60 | 0501.324.794 | | UNDULATSPRING | 1 | | | | 0,026 | | |
| 80 | 1090.375.019 | | ICLUTCH DISC | 6 | | | A=2,1 | 0,089 | | |
| 100 | 0501.325.962 | | FRICTION PLATE | 6 | | | | 0,078 | | |
| 110 | --- | | ICLUTCH DISC | 1 | | | S=3,30-4,80 (ABSTUFUNG:0,3MM) | 0,000 | | |
| --- | 1090.375.016 | | ICLUTCH DISC | 1 | | | A=4.8 1090 375 007(1) | 0,205 | | |
| --- | 1090.375.015 | | ICLUTCH DISC | 1 | | | A=4.5 1090 375 007(1) | 0,192 | | |
| --- | 1090.375.014 | | ICLUTCH DISC | 1 | | | A=4.2 1090 375 007(1) | 0,179 | | |
| --- | 1090.375.013 | | ICLUTCH DISC | 1 | | | A=3.9 1090 375 007(1) | 0,166 | | |
| --- | 1090.375.012 | | ICLUTCH DISC | 1 | | | A=3.6 1090 375 007(1) | 0,153 | | |
| --- | 1090.375.011 | | ICLUTCH DISC | 1 | | | A=3.3 1090 375 007(1) | 0,141 | | |
| 120 | 0501.324.787 | | CUP SPRING | 1 | | | | 0,054 | | |
| 130 | 0734.313.905 | | ROUND SEALING RING | 2 | | | 34,8X2,65 | 0,001 | | |
| 160 | 0501.325.338 | | PISTON | 1 | | | | 0,378 | | |
| 180 | 1090.375.027 | | SUPPORT SHIM | 1 | | | | 0,080 | | |
| 200 | 0501.323.595 | | LIP SEALING RING | 1 | | | 77,1X87,1X3,9X2,5 | 0,010 | | |
| 220 | 1090.375.017 | | SNAP RING | 1 | | | STUETZSCHEIBE | 0,008 | | |
| 300 | 1090.242.194 | | SUN GEAR SHAFT | 1 | | | RS4 | 1,357 | | |
| 330 | 0735.368.310 | | AXIAL NEEDLE BEARING | 1 | | Z00013962610 | 27,5x44,5x5,0 | 0,026 | | |
| 350 | 0735.368.316 | | AXIAL NEEDLE BEARING | 1 | | Z00013962610 | 31,4X48,4X5,0 | 0,028 | | |

Parts list

Page 1 from 1

Material number: 1090.024.012

8 HP 45 X HIS SW /

Material-assembly-group-no: 1090.192.005



| Pos. | Material number | Customer material | Name | Quantity | ME | Amend. no. | Techn. Info. | Weight | Rep kit | Alternative material |
|------|-----------------|-------------------|--------------|----------|----|------------|---|--------|---------|----------------------|
| | 1090.192.005 | | CONSERVATION | 1 | | | KA 0/KI 1*ZFN916* PRUEFST. *8,46DM3 GE/WT | 0,000 | | |

Plant

Page 1 from 1

Material number: 1090.024.012

Plant: 114.97.11-1

PACKING

8 HP 45 X HIS SW /

PACKING

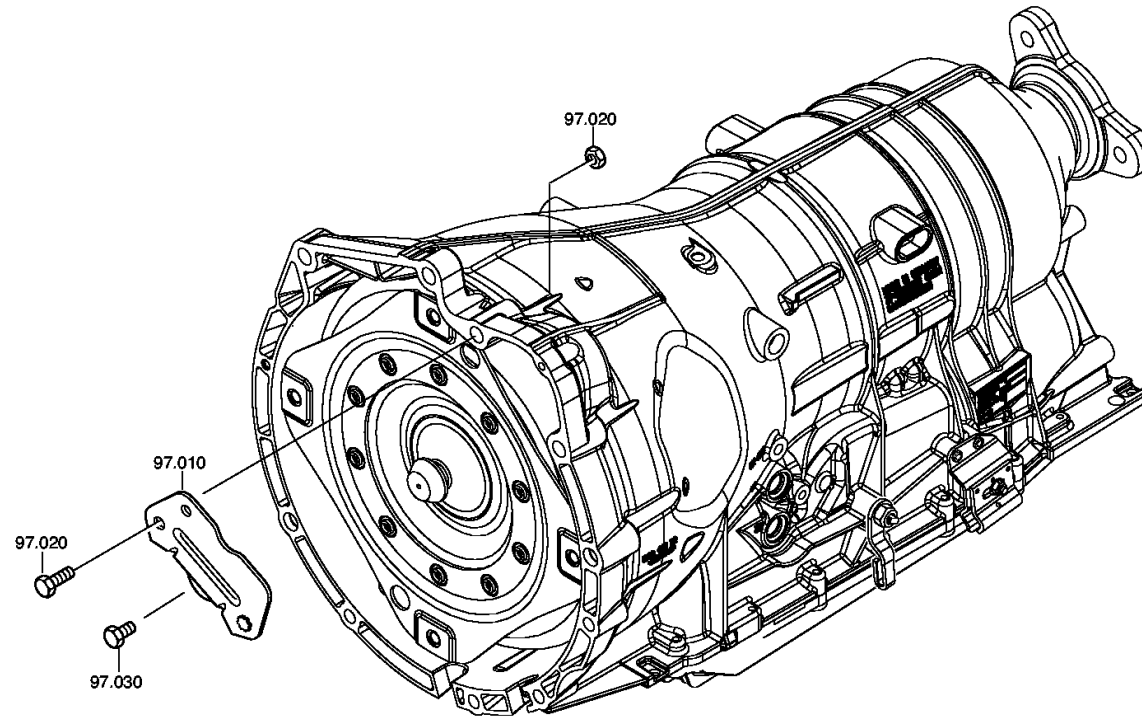


Bildtafel:
Figure: 114.97.11
Figure:
Figura:

Verpackung
Packing
Tole de verrouillage
Lamiera di bloccaggio

* je nach Stücklistenausführung
depending on spec. number
suivant la nomenclature
secondo la distinta base

02-06-12



6 HP 26
BMW M57

Parts list

Page 1 from 1

Material number: 1090.024.012

8 HP 45 X HIS SW /

Plant: 114.97.11-1

Material-assembly-group-no: 1071.197.903



| Pos. | Material number | Customer material | Name | Quantity | ME | Amend. no. | Techn. Info. | Weight | Rep kit | Alternative material |
|------|-----------------|-------------------|----------------|----------|----|------------|--------------|--------|---------|----------------------|
| 10 | 1071.397.038 | | RETAINING CLIP | 1 | | | NG4/6 | 0,452 | | |
| 20 | --- | | BOLT+NUT | 1 | | | M10X55 | 0,000 | | |
| --- | 0636.015.136 | | HEXAGON BOLT | 1 | | | M10X55 | 0,038 | | |
| --- | 0637.006.022 | 0637 006 022 | HEXAGON NUT | 1 | | | M10 | 0,010 | | |
| 30 | --- | | HEXAGON BOLT | 1 | | | M10X16 | 0,000 | | |
| --- | 0636.015.270 | 1000000358 | HEXAGON BOLT | 1 | | | M10X16 | 0,020 | | |

Parts list

Page 1 from 1

Material number: 1090.024.012

8 HP 45 X HIS SW /

Material-assembly-group-no: 6058.008.065



| Pos. | Material number | Customer material | Name | Quantity | ME | Amend. no. | Techn. Info. | Weight | Rep kit | Alternative material |
|------|-----------------|-------------------|----------------|----------|----|--------------|--------------|--------|---------|----------------------|
| | 6058.008.065 | | E-MODUL 8-GANG | 1 | | Z00006410318 | D2-MUSTER | 0,600 | | |