



## Table of Contents

5HP24A Transmission Overview (North American Applications)	
Make / Model / Model Year .....	2
5HP24A Technical Information	
Torque, Gear Ratio & Weight .....	3
Transmission Oil Reference Guide .....	3
5HP24A Lubrications .....	3
5HP24A Technical Literature .....	3
5HP24A General Transmission Oil Filling Procedure .....	4
5HP24A General Differential Oil Filling Procedure .....	6
5HP24A General Transfer Case Oil Filling Procedure .....	7
5HP24A Spare Parts	
How To Use This Catalog .....	8
Gearbox Housing Group .....	9
Input Group .....	11
Oil Sump Group .....	12
Oil Supply Group .....	13
Converter Group .....	14
Parking Lock Group .....	15
Brake Group .....	16
Planetary Drive Groups .....	17
Front Axle Differential Group .....	19
Rear Axle Output Group .....	21
Front Axle Output Group .....	23
Internal Differential Lock Group .....	25
Clutch Pack Groups .....	26
5HP24A Valve Body	
Duct Plate Group .....	32
Valve Housing Groups .....	34
5HP24A Selective Shims, Snap Rings & Kit Content	
5HP24A Selective Shims & Snap Rings .....	39
5HP24A Kit Content .....	45
Miscellaneous	
Quotation / Order Form .....	49
Notes .....	50



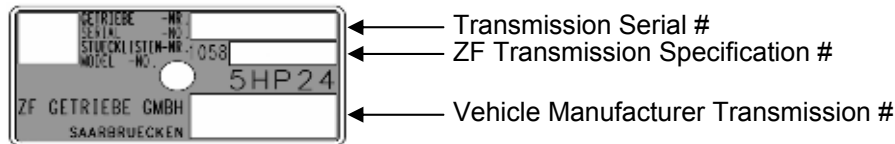
## 5HP24A Transmission Overview (North American Applications)

Make / Model / Model Year – Audi

Make	Model	Style	Model Year	From – Up to	Code	OE Part #	ZF Part #
Audi	A6	Quattro 4.2 liter	1999 – 2000	04/99 – 05/00	ECF	01L 300 041M	1058 020 015
			2002 – 2003	06/01 –	FUL	01L 300 043A	1058 020 031
Audi	S6	Quattro 4.2 liter	2002 – 2003	06/01 –	FBD	01L 300 042L	1058 020 029
Audi	A8	Quattro 4.2 liter	1997	09/96 – 11/96	DPZ	01L 300 041B	1058 020 004
			1997	11/96 – 02/97	DSM	01L 300 041D	1058 020 007
			1997 – 1999	02/97 – 12/98	DTE	01L 300 041G	1058 020 009
			1999 – 2000	05/99 – 05/00	EDG	01L 300 042A	1058 020 014
			2000 – 2001	05/00 – 06/01	FBF	01L 300 042N	1058 020 021
			2000 – 2002	05/00 – 06/01	FBG	01L 300 042P	1058 020 030
			2002 – 2003	07/01 – 09/02	FUN	01L 300 043C	1058 020 033

**Note:** This spare parts catalog includes only transmission specification numbers for North American applications. For all other 5HP24A transmission specification numbers, please contact your preferred ZF passenger car transmission distributor for more information about available spare parts and kits.

**Type Plate:** Located on the bell housing of transmission. Please refer to ZF transmission specification # when searching for spare parts and kits in this catalog (last three digits).





## 5HP24A Technical Information

### Torque, Gear Ratio & Weight

Input Torque	1 <sup>st</sup> Gear	2 <sup>nd</sup> Gear	3 <sup>rd</sup> Gear	4 <sup>th</sup> Gear	5 <sup>th</sup> Gear	Rev Gear	Weight (approximate)	Oil Capacity (approximate)
420 Nm	3.57	2.20	1.51	1.00	0.80	4.10	~142 kg (312 lbs.)	~11 liter (11.7 quart)

### Transmission Oil Reference Guide

Make	Oil Grade	Type Plate (color)	ZF Part #	OE Part #
Audi	ESSO LT 71141	Green	1058 020 004	01L 300 041B
			1058 020 007	01L 300 041D
			1058 020 009	01L 300 041G
			1058 020 014	01L 300 042A
			1058 020 015	01L 300 041M
			1058 020 021	01L 300 042N
			1058 020 029	01L 300 042L
			1058 020 030	01L 300 042P
			1058 020 031	01L 300 043A
			1058 020 033	01L 300 043C

### 5HP24A Lubrications

Amount	ZF Part #	Description	Where used (1058 020 ____)	Notes
10 Liter	0671 090 162	Oil BURMAH SAF AG4 (Canister)	All	Use only in differential and transfer case
20 Liter	0671 090 166	Oil ESSO LT 71141 (Canister)	All	Use only in transmission
205 Liter	0671 090 169	Oil ESSO LT 71141 (Drum)	All	Use only in transmission
10 Liter	S671 600 020	Oil STURACO FM 1992	All	Use only in transfer case
0.050 Liter	V671 600 020	Oil STURACO FM 1992	All	Use only in transfer case

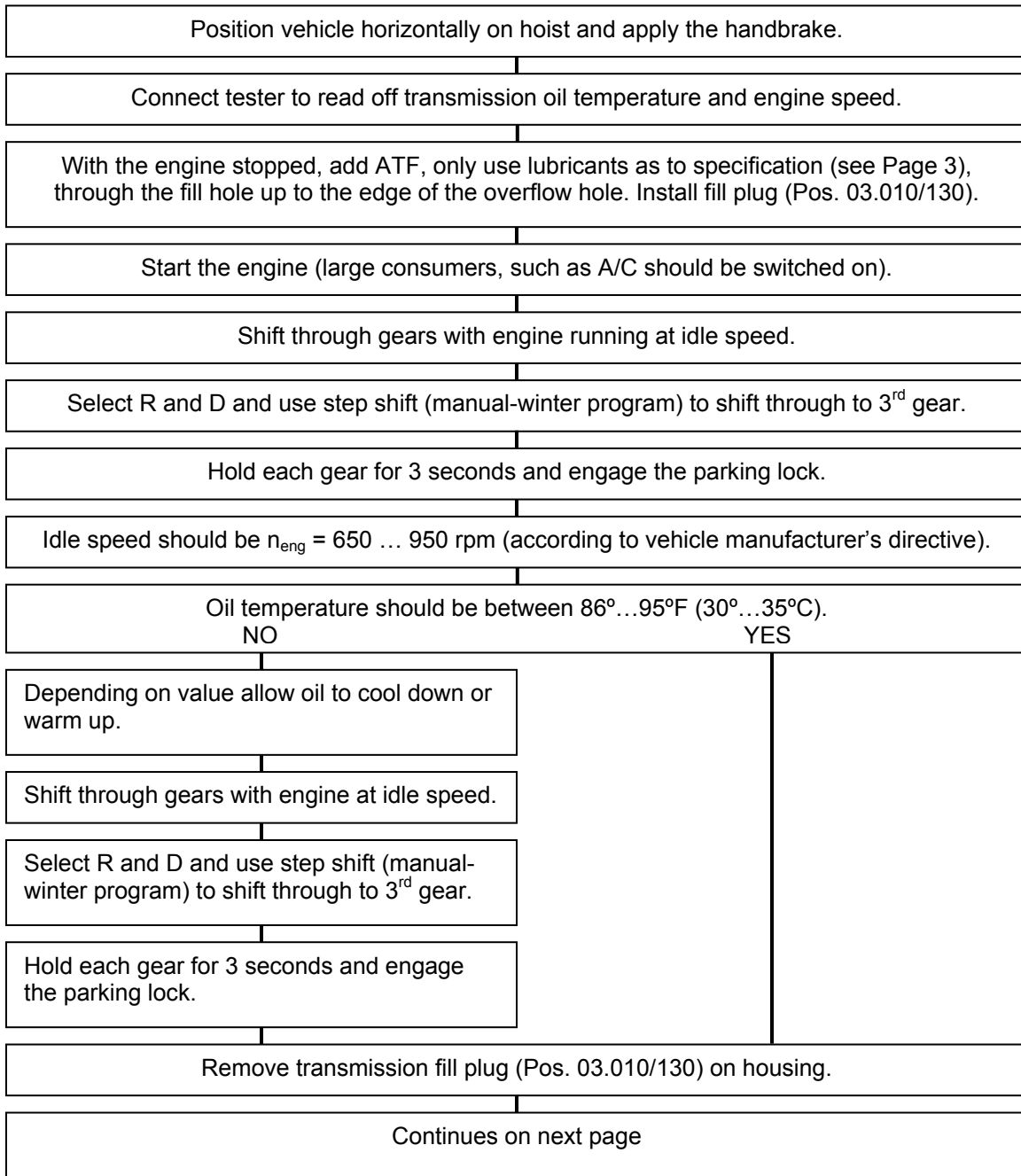
### 5HP24A Technical Literature

Language	ZF Part #	Description	Where used (1058 020 ____)	Notes
English	5HP24FD	5HP24A Functional Description	All	
English	5HP24AREP	5HP24A Repair Manual	All	
Eng/Ger	1058 764 702	5HP24A Wall Chart	All	
English	5HPVBMAN	5-Speed Valve Body Manual	All	



## 5HP24A Technical Information (continued)

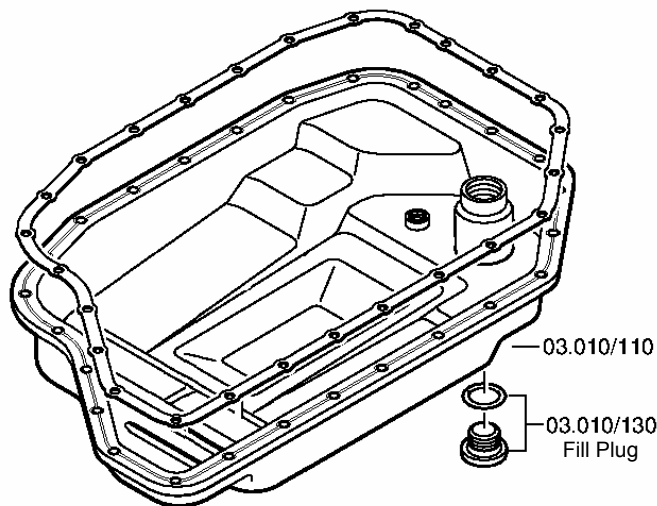
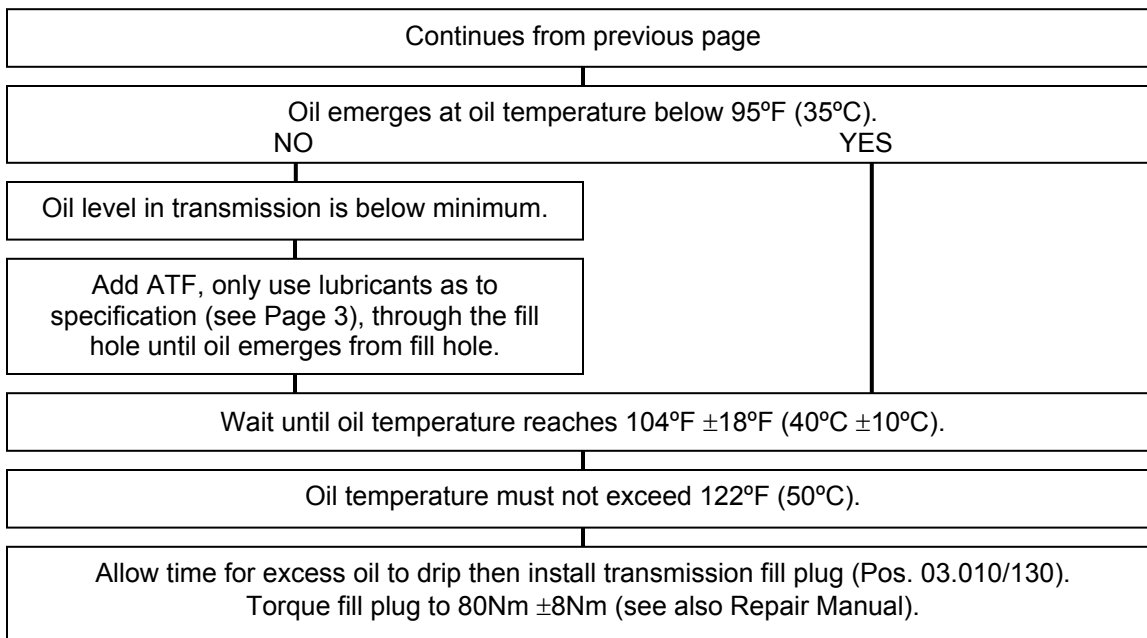
### 5HP24A General Transmission Oil Filling Procedure





## 5HP24A Technical Information (continued)

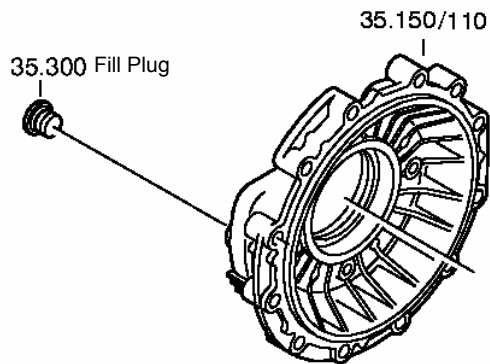
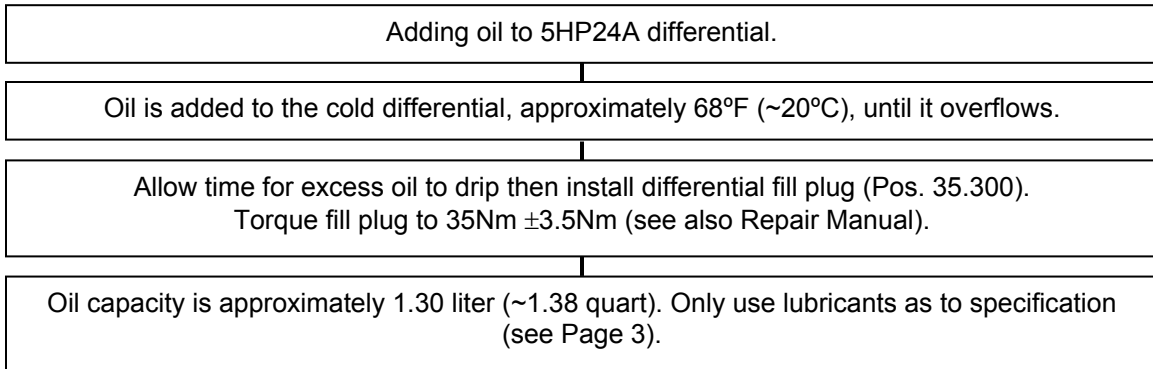
### 5HP24A General Transmission Oil Filling Procedure (continued)





## 5HP24A Technical Information

### 5HP24A General Differential Oil Filling Procedure



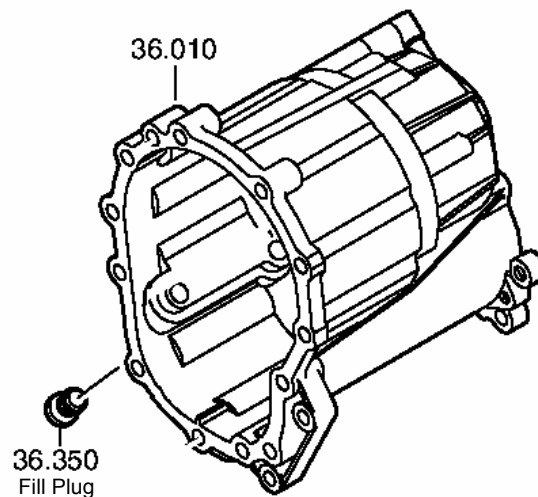


## 5HP24A Technical Information

### 5HP24A General Transfer Case Oil Filling Procedure

Adding oil to 5HP24A transfer case (Parallel Axis Torsen – PAT) with separate oil content.
Oil is added to the cold differential, approximately 68°F (~20°C), until it overflows.
Allow time for excess oil to drip then install transfer case fill plug (Pos. 36.350). Torque fill plug to 35Nm $\pm$ 3.5Nm (see also Repair Manual).
Oil capacity is approximately 0.85 liter (~0.90 quart). Only use lubricants as to specification (see Page 3).

**Note:** The addition of 0.034 liter (~0.036 quart) Sturaco FM 1992 (see Page 3) is only necessary after a transfer case repair or renewal (exchange) of the Torsen differential. After installation in the transfer case, it is added in a vertical position and in a direct axial direction to the Torsen differential.





## How To Use This Catalog

### Table of Contents

Each transmission group of this catalog is listed in the table of contents. This spare parts catalog includes only transmission specification numbers for North American applications.

### Technical Information

All technical information is specific to the transmission models that are referenced in this catalog. Weight and oil capacity information are only approximate and may vary by actual transmission specification. For any technical inquiry, please contact your preferred ZF passenger car transmission distributor for assistance. For a list of technical literature available from ZF or for answers to frequently asked questions about ZF transmissions visit us at [www.zf-group.com](http://www.zf-group.com).

### Spare Parts

Each transmission is divided into groups (e.g. gearbox housing group). The position number (**Pos #**) is used to identify the location of each spare part in the transmission. A position number like 01.010 is either a spare part or an assembly. A position number like 01.010/110 is a subcomponent of an assembly. Please contact your preferred ZF passenger car transmission distributor about availability of assemblies and subcomponents.

The part number (**ZF part #**) is used to identify a specific spare part and is usually ten-digits (kits, lubricants, and technical literature have exceptions). Please use this part number, when ordering ZF spare parts.

The description (**Description**) identifies the spare part.

The quantity (**Qty**) is the amount of spare parts included in one transmission model for a certain position number. The quantity may vary depending on the transmission specification and certain spare parts may be used in multiple positions in the transmission.

This catalog includes only spare parts for North American specifications of a ZF transmission application. The “where used” column (**Where used (10\_ 000 \_\_)**) shows the last three digits of the transmission specification that uses the listed spare part. If the column indicates “All”, then all North American transmission specification use this spare part.

The notes column (**Notes**) gives more information about the spare part (e.g. included in a kit).

### Example:

Pos #	ZF Part #	Description	Qty	Where used (1056 000 __)	Notes
01.010	1056 201 084	Gearbox Housing	1	087/088	
	1056 201 087	Gearbox Housing	1	081	
01.010/110	1056 301 174	Gearbox Housing	1	087/088	
	1056 301 175	Gearbox Housing	1	081	

### Selective Shims, Snap Rings & Kit Content

Each list for selective shims or snap rings is listed in this section of the catalog. Please measure the clearance according to the repair manual and select the required spare part from the table.

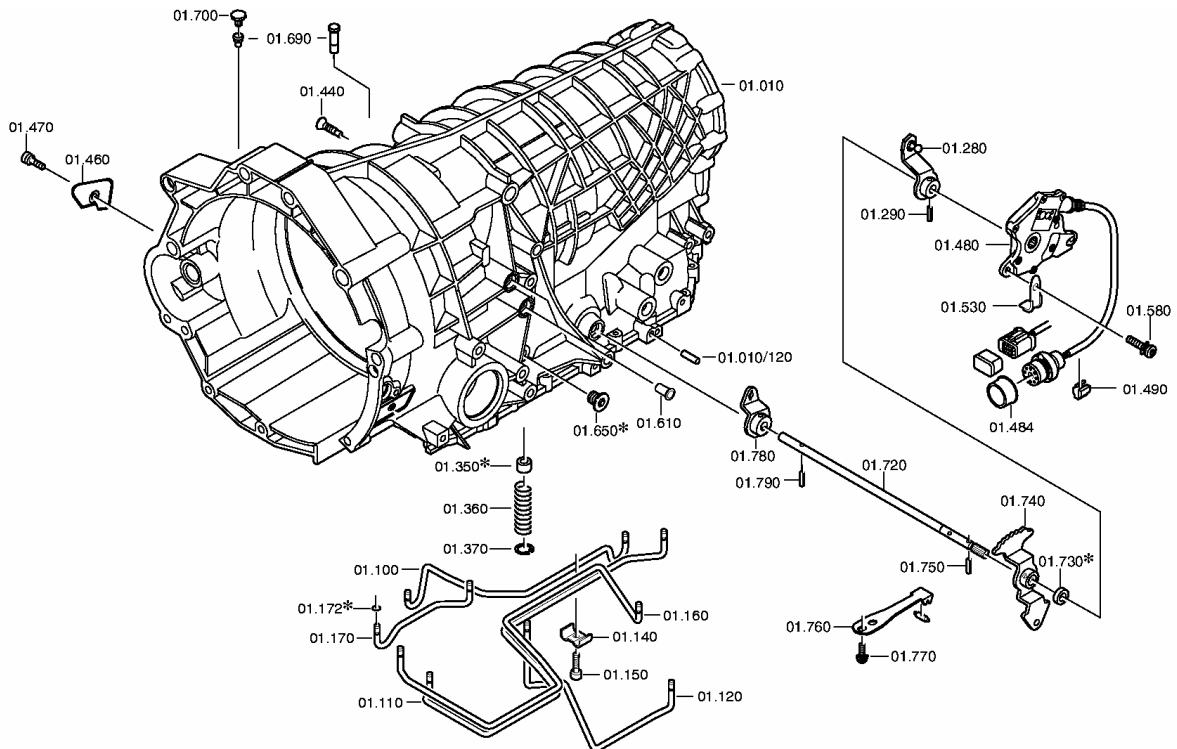
The kit content section shows all available kits for the transmission models that are referenced in this catalog, including the content of each kit.





## 5HP24A Spare Parts - Gearbox Housing Group

Pos #	ZF Part #	Description	Qty	Where used (1058 020 ___)	Notes
01.010	1058 201 074	Gearbox Housing	1	004	
	1058 201 115	Gearbox Housing	1	029	
	1058 201 116	Gearbox Housing	1	007/009/014/021/033	
	1058 201 117	Gearbox Housing	1	015/031	
	1058 201 118	Gearbox Housing	1	030	
01.010/120	0631 306 184	Cylindrical Pin M6x14	1	All	
01.100	0501 315 340	Oil Tube	1	All	
01.110	0501 315 343	Oil Tube	1	All	
01.120	0501 315 341	Oil Tube	1	All	
01.140	1058 301 031	Bracket	1	All	
01.150	0736 101 318	Torx Screw M6x20	1	All	
01.160	0501 315 342	Oil Tube	1	All	
01.170	0501 315 344	Oil Tube	1	All	
01.172	0734 313 060	O-Ring	2	All	* Available in kit 1058 298 023
01.280	1058 206 025	Gear Shift Lever	1	All	
01.290	0501 320 396	Clamping Sleeve	1	All	
01.350	0734 317 227	Sealing Sleeve	2	All	* Available in kit 1058 298 023
01.360	0732 042 090	Compression Spring	2	All	
01.370	0630 502 078	Retaining Ring 12x1	2	All	
01.440	0736 401 065	Counters. Screw M6x20	1	All	
01.460	1043 322 227	Cover	1	007/009/014/015/021/ 029/030/031/033	
01.470	0736 101 345	Torx Screw M6x12	1	007/009/014/015/021/ 029/030/031/033	

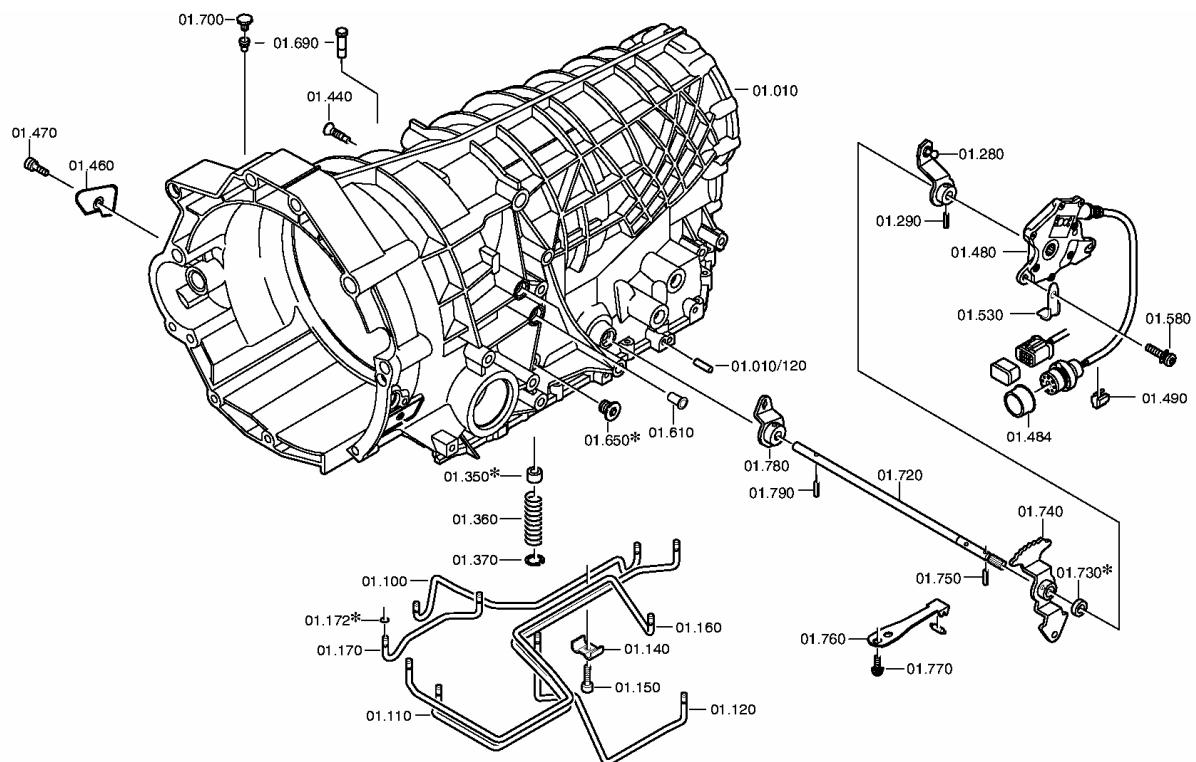


**Note:** Parts marked with \* are only available in kits.



## 5HP24A Spare Parts - Gearbox Housing Group (continued)

Pos #	ZF Part #	Description	Qty	Where used (1058 020 ___)	Notes
01.480	0501 209 763	Position Switch (8-Pin)	1	004/007/009/014/015	
	0501 318 015	Position Switch (10-Pin)	1	021/029/030/031/033	
01.484	0501 318 771	Protection Cap	1	021/029/030/031/033	
	0637 900 038	Plug	1	004/007/009/014/015	
01.490	0501 318 901	Cable Terminal	1	All	
01.530	0501 318 899	Fixing Plate	1	All	
01.580	0736 101 233	Torx Screw M6x15	2	All	
01.610	0501 315 455	Plug	2	All	
01.650	0501 318 572	Screw Plug M10x1	1	All	* Available in kit 1058 298 023
01.690	0501 212 914	Breather	1	004	
	0501 318 900	Breather Tube	1	All (except 004)	
01.700	0501 314 809	Breather Cover	1	All (except 004)	
01.720	1058 306 035	Selector Shaft	1	All	
01.730	0734 319 623	Shaft Seal	1	All	* Available in kit 1058 298 023
01.740	1058 206 027	Detent Disc	1	All	
01.750	0501 320 396	Clamping Sleeve	1	All	
01.760	1058 206 020	Detent Spring	1	All	
01.770	0736 101 240	Torx Screw M6x13	2	All	
01.780	1058 206 022	Driver	1	All	
01.790	0501 320 396	Clamping Sleeve	1	All	

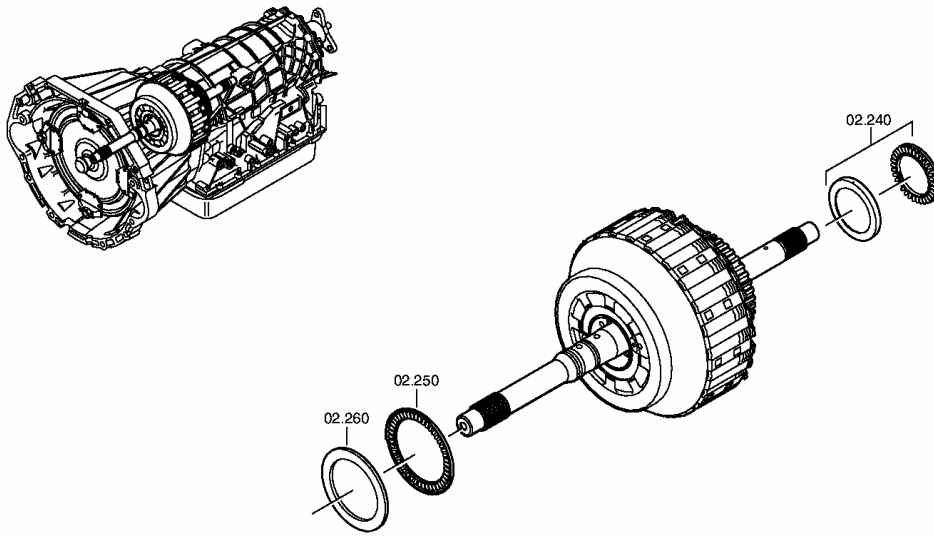


**Note:** Parts marked with \* are only available in kits.



## 5HP24A Spare Parts – Input Group

Pos #	ZF Part #	Description	Qty	Where used (1058 020 ____)	Notes
02.240	1058 202 016	Bearing Set	1	All	
02.250	0735 368 067	Axial Needle Bearing	1	All	
02.260	See Page 39	Intermediate Plate Shim	1	All	Selective Shim

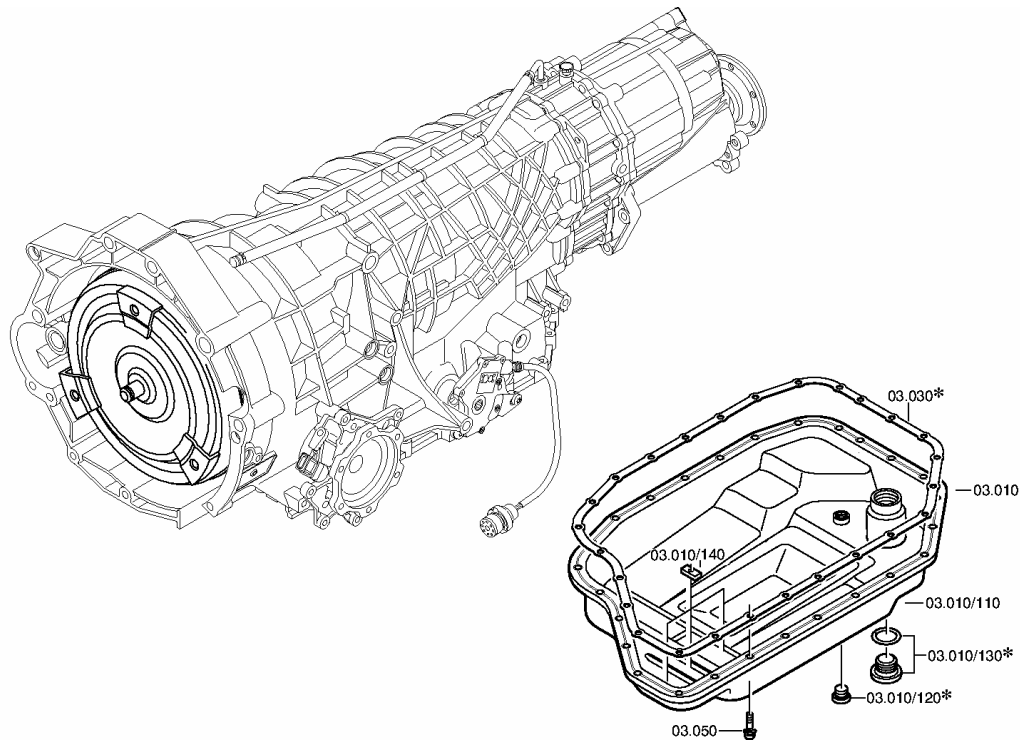


**Note:** Parts marked with \* are only available in kits.



## 5HP24A Spare Parts – Oil Sump Group

Pos #	ZF Part #	Description	Qty	Where used (1058 020 ___)	Notes
03.010	1058 203 020	Oil Sump	1	004/007/009	
	1058 203 027	Oil Sump	1	014/015/021/031/033	
	1058 203 029	Oil Sump	1	029/030	
03.010/110	1058 203 019	Oil Sump	1	004/007/009	
	1058 203 026	Oil Sump	1	014/015/021/031/033	
	1058 203 030	Oil Sump	1	029/030	
03.010/120	0501 318 572	Screw Plug M10x1	1	All	* Available in kit 1058 298 023
03.010/130	0636 302 102	Screw Plug M30x1.5	1	All	* Available in kit 1058 298 023
	0734 313 176	O-Ring	1	All	* Available in kit 5HP24FKA
03.010/140	1043 301 036	Magnet	4	All	
03.030	1058 303 015	Gasket	1	All	* Available in kit 1058 298 023
03.050	0736 101 318	Torx Screw M6x22	26	All	

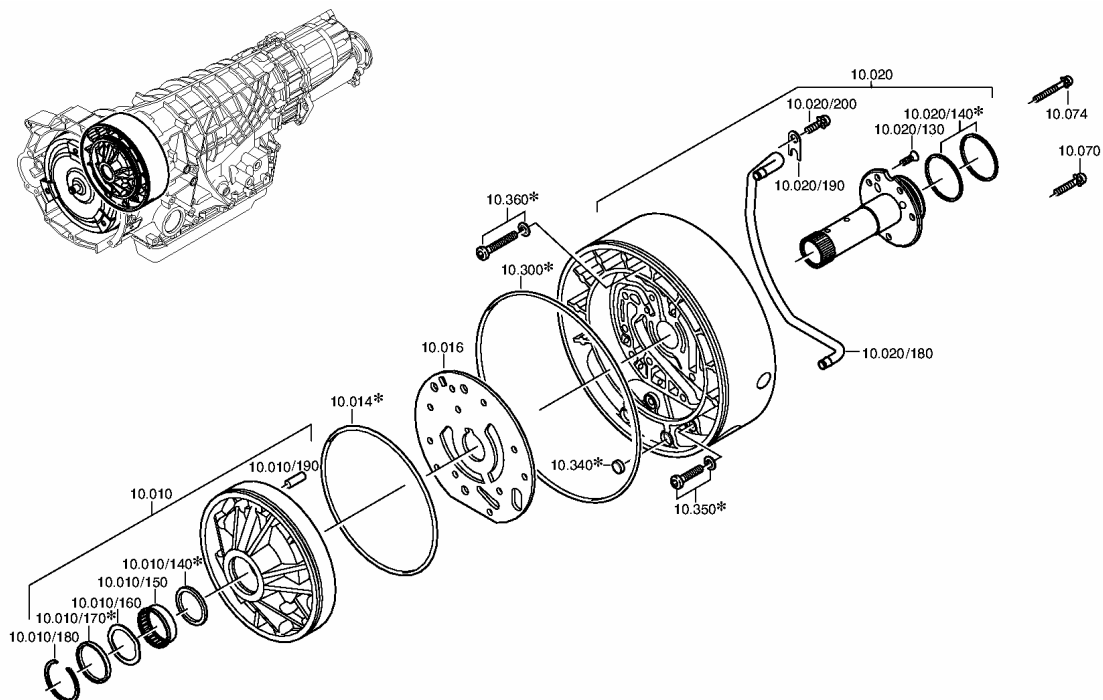


**Note:** Parts marked with \* are only available in kits.



## 5HP24A Spare Parts - Oil Supply Group

Pos #	ZF Part #	Description	Qty	Where used (1058 020 ___)	Notes
10.010	1058 210 062	Pump	1	All	
10.010/140	1055 310 039	Sealing Ring	1	All	* Available in kit 1058 298 023
10.010/150	0735 298 136	Needle Bearing	1	All	
10.010/160	0501 316 234	Washer	1	All	
10.010/170	0750 111 254	Shaft Seal	1	All	* Available in kit 1058 298 023
10.010/180	0730 513 545	Snap Ring	1	All	
10.010/190	1043 319 058	Sleeve	1	All	
10.014	0734 313 178	O-Ring	1	All	* Available in kit 1058 298 023
10.016	1058 310 024	Intermediate Sheet	1	All	
10.020	1058 210 078	Intermediate Plate	1	004/007/009/014/015/ 021	
	1058 210 079	Intermediate Plate	1	029/030/031/033	
10.020/130	0736 101 105	Counters. Screw M6x15	5	All	
10.020/140	0734 401 248	Piston Ring	2	All	* Available in kit 1058 298 023
10.020/180	0501 315 965	Oil Tube	1	All	
10.020/190	1058 310 045	Fixing Plate	2	All	
10.020/200	0736 101 240	Torx Screw M6x13	2	All	
10.070	0736 101 357	Torx Screw M6x35	10	All	
10.074	0736 101 060	Torx Screw M5x50	1	All	
10.300	0734 313 162	O-Ring	1	All	* Available in kit 1058 298 023
10.340	0501 314 585	Protecting Cap	2	All	* Available in kit 1058 298 023
10.350	0736 101 238	Torx Screw M6x30	2	All	
	0750 112 076	Usit Ring	2	All	* Available in kit 1058 298 023
10.360	0736 101 171	Torx Screw M6x50	6	All	
	0750 112 076	Usit Ring	6	All	* Available in kit 1058 298 023

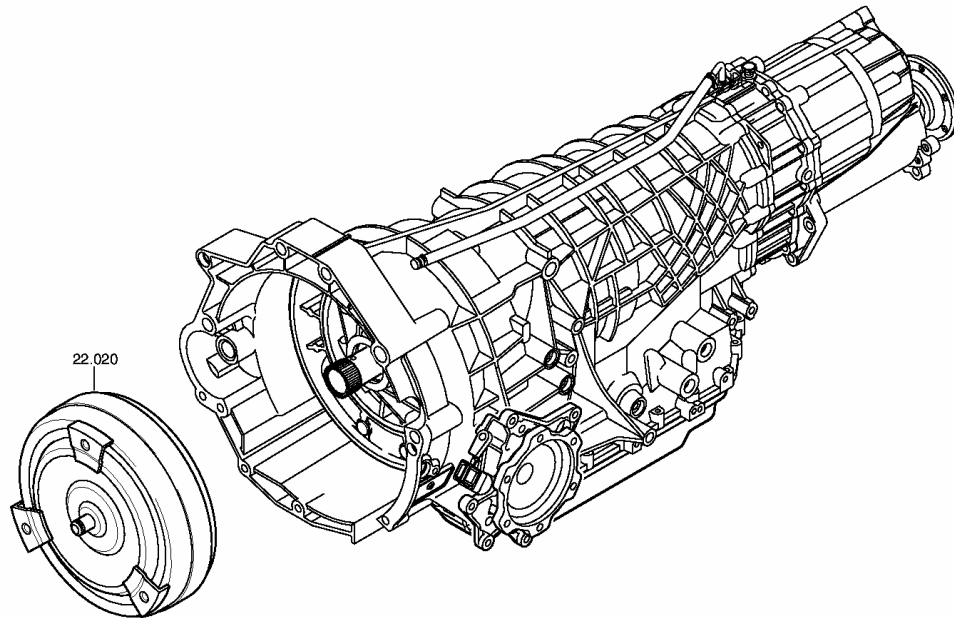


**Note:** Parts marked with \* are only available in kits.



## 5HP24A Spare Parts – Converter Group

Pos #	ZF Part #	Description	Qty	Where used (1058 020 ___)	Notes
22.020	4168 026 394	Torque Converter P35	1	All (except 029/030)	
	4168 026 395	Torque Converter Q35	1	029/030	

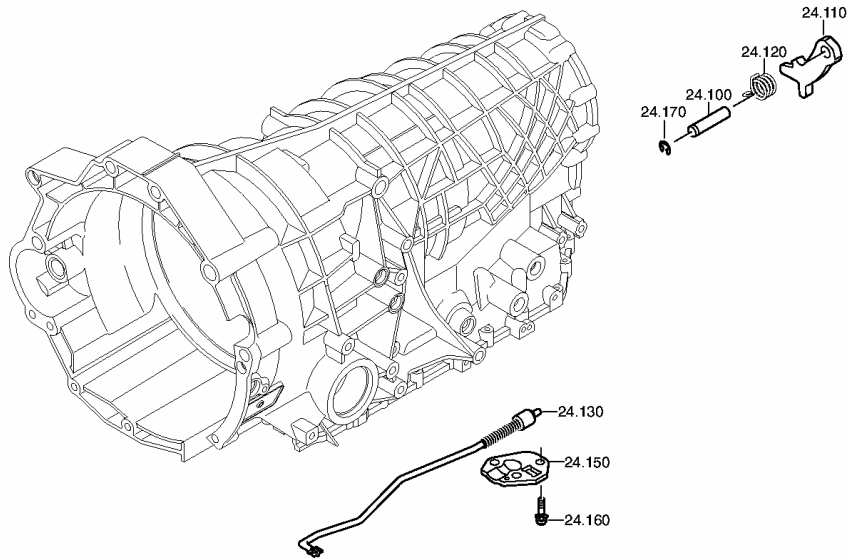


**Note:** Parts marked with \* are only available in kits.



## 5HP24A Spare Parts – Parking Lock Group

Pos #	ZF Part #	Description	Qty	Where used (1058 020 ___)	Notes
24.100	1060 301 017	Pin	1	All	
24.110	1060 324 006	Pawl	1	All	
24.120	1060 324 004	Leg Spring	1	All	
24.130	1058 224 016	Connecting Bar	1	All	
24.150	1060 324 007	Guiding Plate	1	All	
24.160	0736 617 074	Torx Screw M8x30	3	All	
24.170	0630 504 003	Locking Washer	1	All	

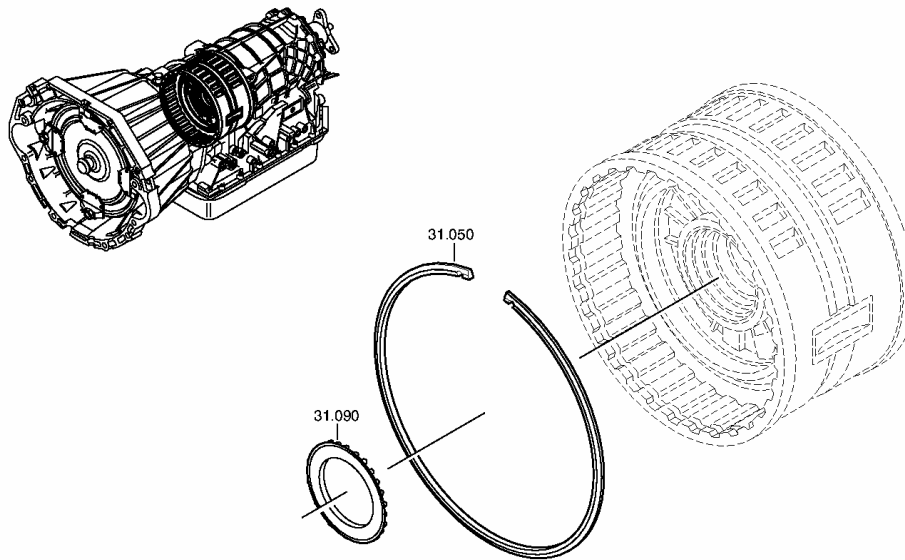


**Note:** Parts marked with \* are only available in kits.



## 5HP24A Spare Parts – Brake Group

Pos #	ZF Part #	Description	Qty	Where used (1058 020 ___)	Notes
31.050	1058 373 023	Snap Ring	1	All	
31.090	0735 368 074	Axial Needle Bearing	1	All	



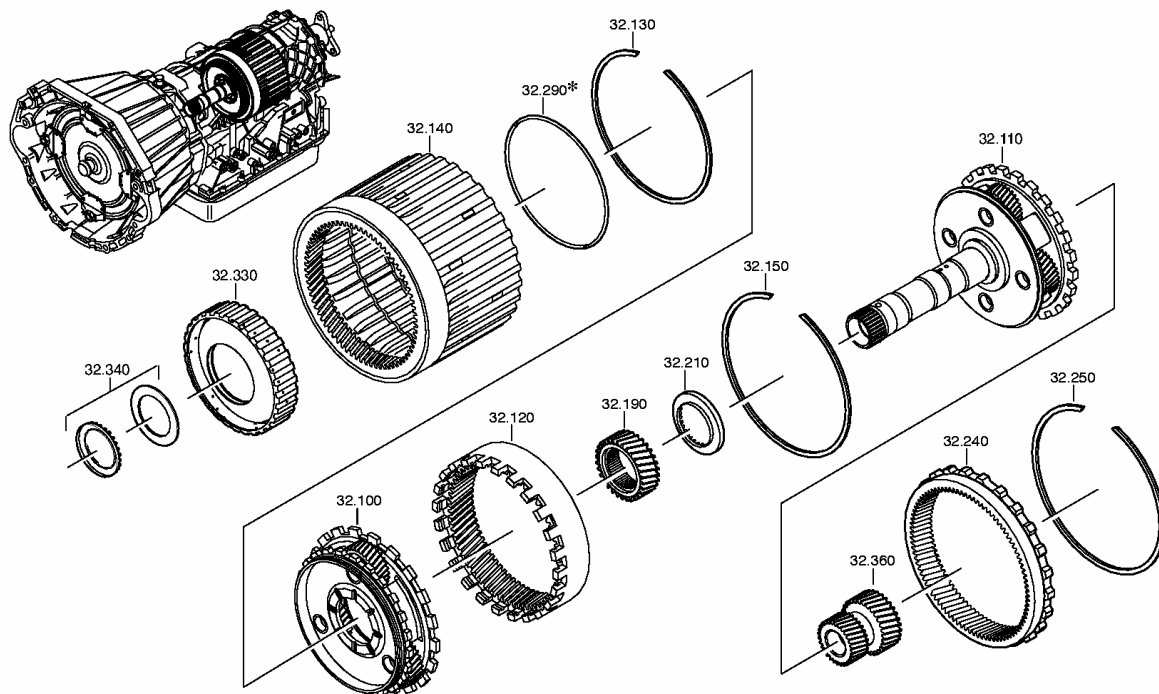
**Note:** Parts marked with \* are only available in kits.





## 5HP24A Spare Parts – Planetary Drive Groups

Pos #	ZF Part #	Description	Qty	Where used (1058 020 ___)	Notes
32.100	1058 232 077	Planet Carrier	1	All	
32.110	1058 232 098	Planet Carrier	1	All	
32.120	1058 332 068	Ring Gear	1	All	
32.130	1058 332 069	Snap Ring	1	All	
32.140	1058 232 058	Ring Gear	1	All	
32.150	1058 332 021	Snap Ring	1	All	
32.190	1058 332 007	Sun Gear	1	All	
32.210	0735 368 064	Axial Needle Bearing	1	All	
32.240	1058 332 054	Ring Gear	1	All	
32.250	1058 332 021	Snap Ring	1	All	
32.290	0734 313 137	O-Ring	1	All	* Available in kit 1058 298 023
32.330	1058 375 019	Disc Carrier	1	All	
32.340	1058 274 001	Bearing Set	1	All	
32.360	1058 332 076	Sun Gear	1	All	

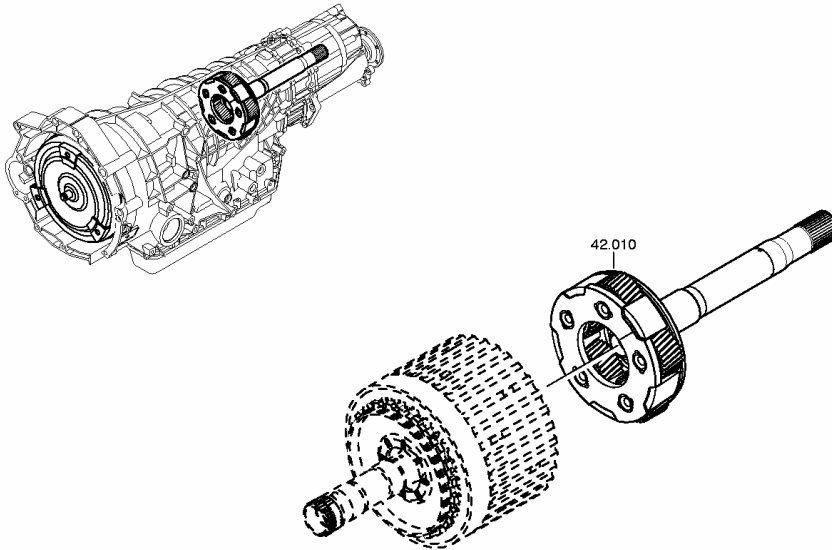


**Note:** Parts marked with \* are only available in kits.



## 5HP24A Spare Parts – Planetary Drive Groups (continued)

Pos #	ZF Part #	Description	Qty	Where used (1058 020 ___)	Notes
42.010	1058 242 010	Planet Carrier	1	All	
42.030	1058 332 075	Oil Collecting Plate	1	All	Not shown in exploded view



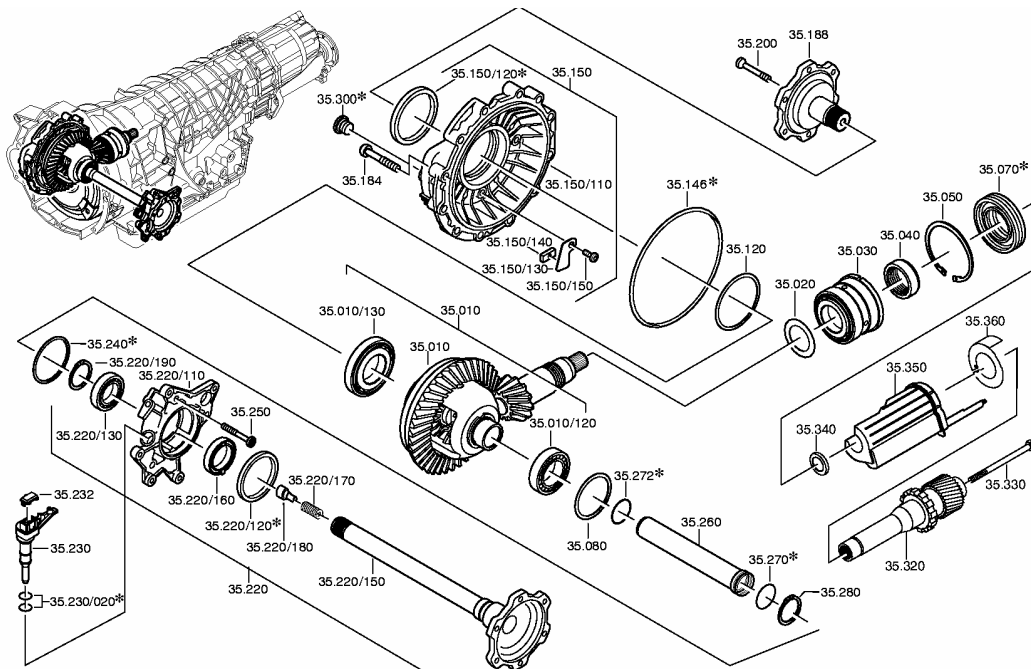
**Note:** Parts marked with \* are only available in kits.





## 5HP24A Spare Parts – Front Axle Differential Group (continued)

Pos #	ZF Part #	Description	Qty	Where used (1058 020 ___)	Notes
35.220/110	1056 335 053	Speedo Cover	1	All	
35.220/120	0734 319 419	Shaft Seal	1	All	* Available in kit 1058 298 023
35.220/130	0635 331 218	Ball Bearing	1	All	
35.220/150	1058 335 042	Flange Shaft	1	004/007/009/014/021/ 030/033	
	1058 335 043	Flange Shaft	1	015/029/031	
35.220/160	0501 315 012	Magnetic Ring	1	All	
35.220/170	0501 308 523	Compression Spring	1	All	
35.220/180	0501 308 528	Tappet	1	All	
35.220/190	0630 501 028	Retaining Ring	1	All	
35.230	0501 208 543	Speed Sensor	1	All	
35.230/020	0501 313 484	O-Ring	2	All	* Available in kit 1058 298 023
35.232	0501 317 696	Cap	1	All	
35.240	0734 317 262	Sealing Ring	1	All	* Available in kit 1058 298 023
35.250	0736 617 061	Torx Screw M8x45	3	All	
35.260	0501 315 346	Pipe	1	All	
35.270	0734 313 207	O-Ring	1	All	* Available in kit 1058 298 023
35.272	0734 313 207	O-Ring	1	All	* Available in kit 1058 298 023
35.280	0630 513 037	Snap Ring	1	All	
35.300	0636 308 025	Screw Plug M18x1.5	1	All	* Available in kit 1058 298 023
35.320	1058 337 037	Side Shaft	1	All (except 029/030)	
	1058 337 038	Side Shaft	1	029/030	
35.330	0636 010 260	Hexagon Screw M10x160	1	All	
35.340	1058 337 028	Washer	1	All	
35.350	0501 211 272	Reservoir	1	029/030	
35.360	1058 337 029	Deflector Plate	1	004	

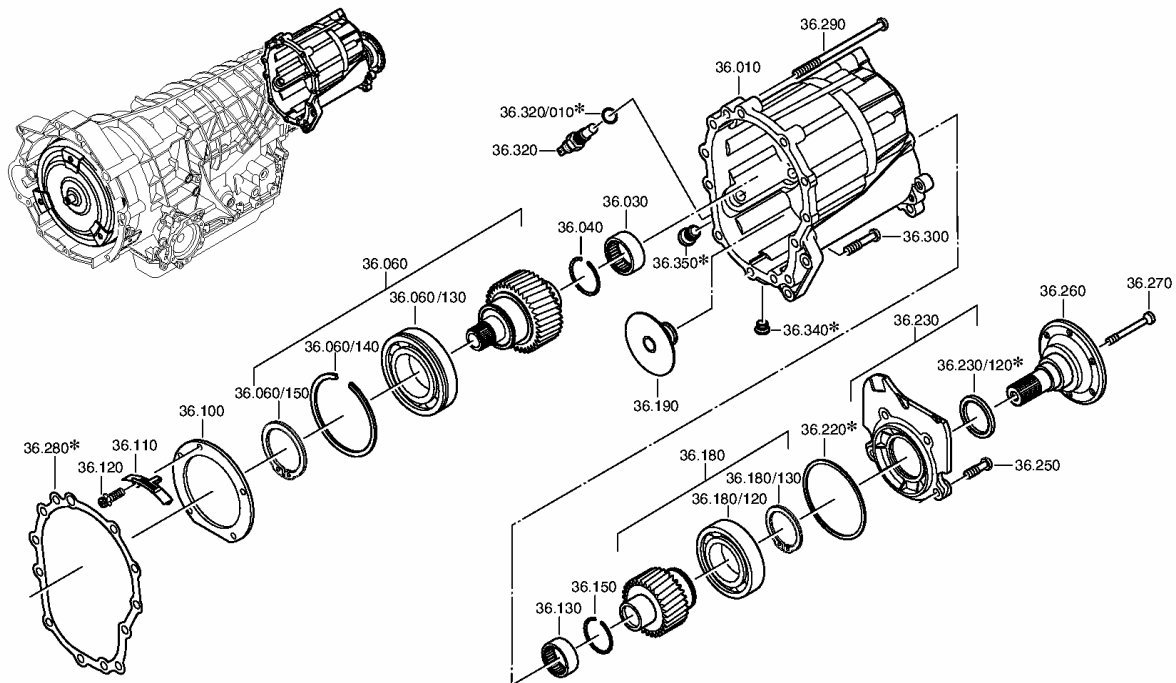


**Note:** Parts marked with \* are only available in kits.



## 5HP24A Spare Parts – Rear Axle Output Group

Pos #	ZF Part #	Description	Qty	Where used (1058 020 ___)	Notes
36.010	1058 336 203	Transfer Case Housing	1	All	
36.030	0735 298 075	Needle Sleeve	1	All	
36.040	0630 513 130	Snap Ring	1	All	
36.060	1058 236 016	Rear Axle Shaft	1	All (except 029/030)	
	1058 236 031	Rear Axle Shaft	1	030	
	1058 236 033	Rear Axle Shaft	1	029	
36.060/130	0735 330 452	Ball Bearing	1	All	
36.060/140	0630 503 014	Snap Ring	1	All	
36.060/150	0630 501 038	Retaining Ring	1	All	
36.100	1058 336 003	Washer	1	All	
36.110	1058 336 004	Baffle Plate	1	All	
36.120	0736 101 051	Torx Screw M6x25	5	All	
36.130	0735 298 206	Needle Sleeve	1	All	
36.150	0630 513 037	Snap Ring	1	All	
36.180	1058 236 030	Output Gear	1	All (except 029/030)	
	1058 236 032	Output Gear	1	030	
	1058 236 034	Output Gear	1	029	

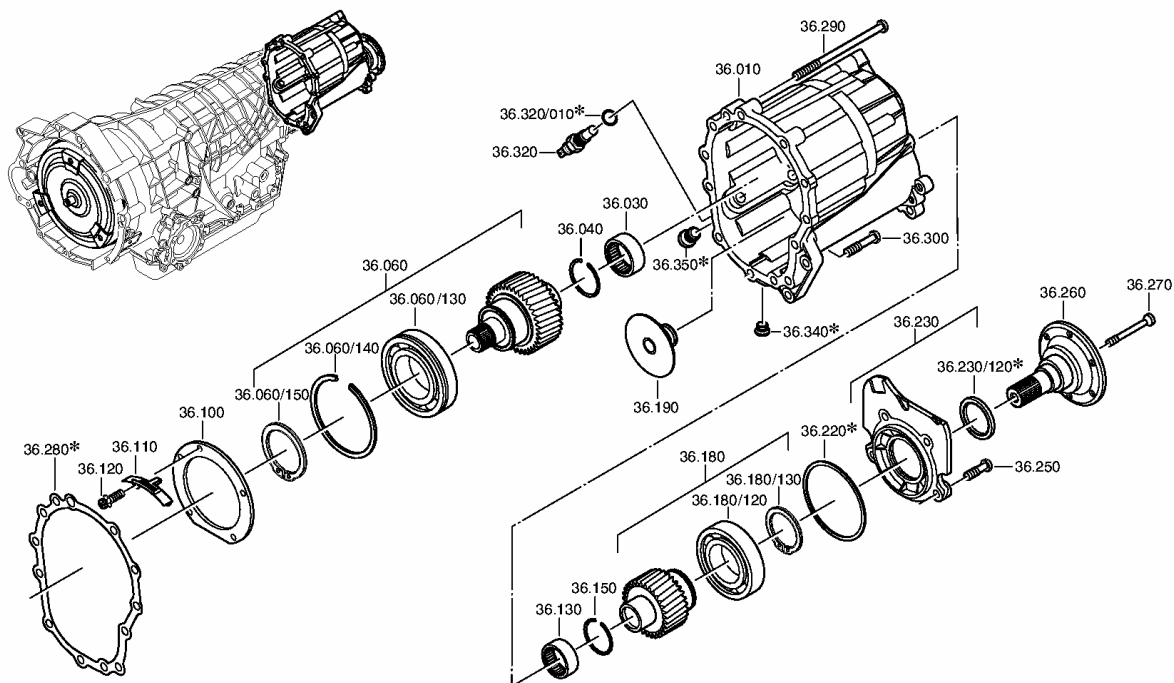


**Note:** Parts marked with \* are only available in kits.



## 5HP24A Spare Parts – Rear Axle Output Group (continued)

Pos #	ZF Part #	Description	Qty	Where used (1058 020 ___)	Notes
36.180/120	0735 330 435	Ball Bearing	1	All	
36.180/130	0630 531 065	Retaining Ring	1	All	
36.190	1058 236 006	Nut	1	All	
36.220	0734 307 291	Sealing Ring	1	All	* Available in kit 1058 298 023
36.230	1060 236 033	Cover	1	All	
36.230/120	0734 319 588	Shaft Seal	1	All	* Available in kit 1058 298 023
36.250	0736 617 074	Torx Screw M8x30	4	All	
36.260	1058 336 076	Output Flange	1	All	
36.270	0736 029 089	Anti-Fatigue Bolt M8	1	All	
36.280	1058 336 021	Gasket	1	All	* Available in kit 1058 298 023
36.290	0736 617 062	Torx Screw M8x120	8	All	
36.300	0736 617 061	Torx Screw M8x45	3	All	
36.320	0501 209 719	Speed Sensor	1	All	
36.320/010	0734 313 125	O-Ring	1	All	* Available in kit 1058 298 023
36.340	0636 308 024	Screw Plug M12x1.5	1	All	* Available in kit 1058 298 023
36.350	0636 308 025	Screw Plug M18x1.5	1	All	* Available in kit 1058 298 023
36.700	0501 315 132	Plug	1	004/007/009/014	Not shown in exploded view



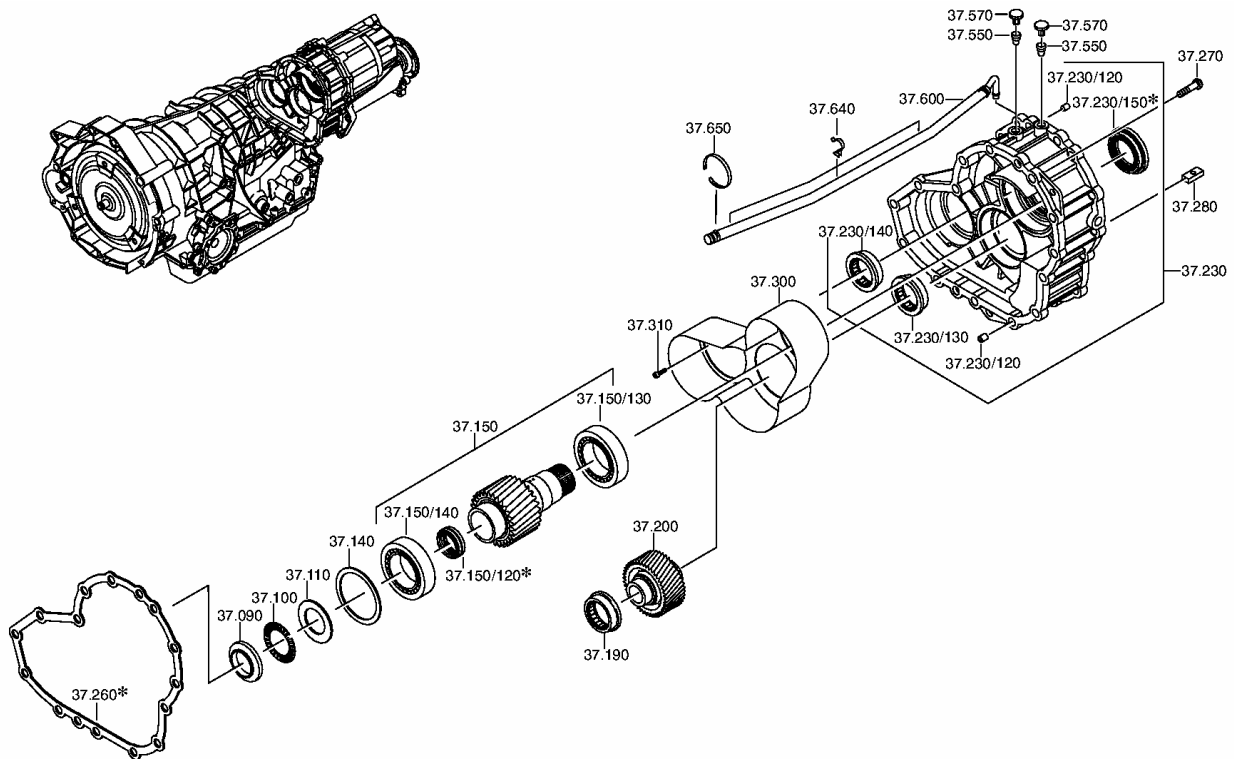
**Note:** Parts marked with \* are only available in kits.





## 5HP24A Spare Parts – Front Axle Output Group

Pos #	ZF Part #	Description	Qty	Where used (1058 020 ___)	Notes
37.090	1058 337 008	Support Shim	1	All	
37.100	0750 115 451	Axial Needle Cage	1	All	
37.110	See Page 42	Output Shim	1	All	Selective Shim
37.140	See Page 42	Output Shaft Gear Shim	1	All	Selective Shim
37.150	1058 237 006	Front Axle Shaft	1	All (except 029/030)	
	1058 237 015	Front Axle Shaft	1	029/030	
37.150/120	0734 319 604	Shaft Seal	1	All	* Available in kit 1058 298 023
37.150/130	0750 117 642	Tapered Roller Bearing	1	All	
37.150/140	0750 117 642	Tapered Roller Bearing	1	All	
37.190	0750 115 450	Roller Sleeve	1	All	
37.200	1058 337 016	Idler Gear	1	All (except 029/030)	
	1058 337 021	Idler Gear	1	029/030	
37.230	1058 237 008	Intermediate Housing	1	004	
37.230	1058 237 017	Intermediate Housing	1	029/030	
	1058 237 018	Intermediate Housing	1	007/009/014/015/021/ 031/033	
37.230/120	0631 306 071	Cylindrical Pin	4	All	

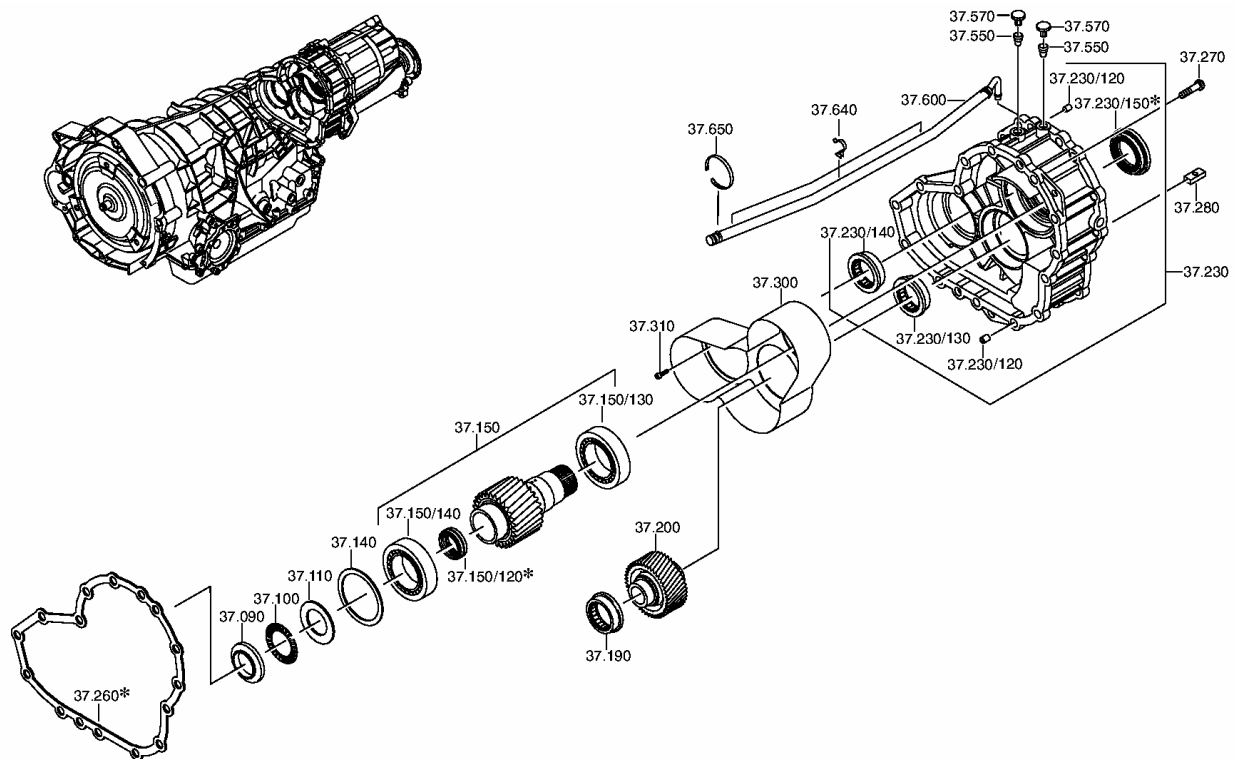


**Note:** Parts marked with \* are only available in kits.



## 5HP24A Spare Parts – Front Axle Output Group (continued)

Pos #	ZF Part #	Description	Qty	Where used (1058 020 ___)	Notes
37.230/130	0750 115 450	Roller Sleeve	1	All	
37.230/140	0750 115 450	Roller Sleeve	1	All	
37.230/150	0734 319 547	Double Seal	1	All	* Available in kit 1058 298 023
37.260	1058 337 009	Gasket	1	All	* Available in kit 1058 298 023
37.270	0736 617 061	Torx Screw M8x45	6	All	
37.280	1043 301 036	Magnet	1	All	
37.300	1058 337 025	Screen Sheet	1	004	
37.310	0736 101 240	Torx Screw M6x13	2	004	
37.550	0501 318 900	Breather Tube	1	004	
37.550	0501 318 900	Breather Tube	2	All (except 004)	
37.570	0501 314 809	Breather Cover	1	004	
37.570	0501 314 809	Breather Cover	2	All (except 004)	
37.600	1058 290 006	Breather	1	004	
37.640	0501 319 031	Cable Terminal	3	004	
37.650	0659 160 053	Cable Clip	1	004	



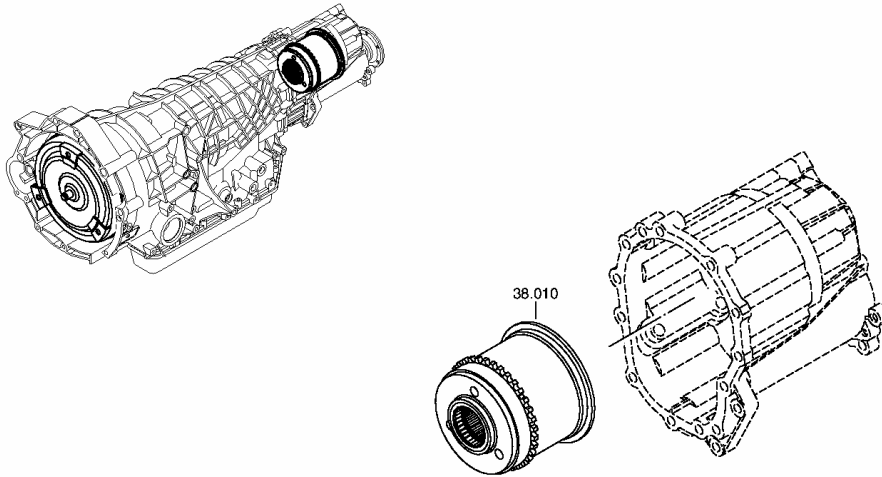
**Note:** Parts marked with \* are only available in kits.





## 5HP24A Spare Parts – Internal Differential Lock Group

Pos #	ZF Part #	Description	Qty	Where used (1058 020 ___)	Notes
38.010	0501 211 935	Differential	1	All	

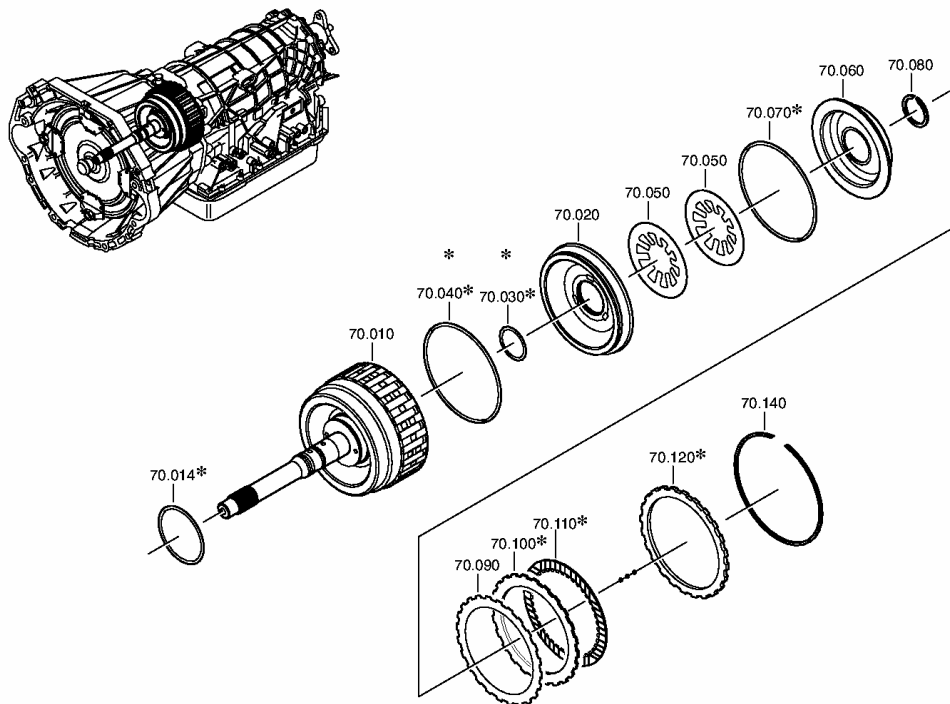


**Note:** Parts marked with \* are only available in kits.



## 5HP24A Spare Parts – Clutch Pack Groups

Pos #	ZF Part #	Description	Qty	Where used (1058 020 ___)	Notes
70.010	1058 270 036	Input Shaft	1	004/007/009	
	1058 270 040	Input Shaft	1	014/015/021/029/030/ 031/033	
70.014	0734 313 151	O-Ring	1	All	* Available in kit 1058 298 023
70.020	1058 370 059	Piston	1	004/007/009	
	1058 370 101	Piston	1	014/015/021/029/030/ 031/033	
70.030	0734 313 148	O-Ring	1	All	* Available in kit 1058 298 023
70.040	0734 313 163	O-Ring	1	All	* Available in kit 1058 298 023
70.050	0501 315 117	Cup Spring	1	004/007/009	
	0501 315 117	Cup Spring	2	014/015/021/029/030/ 031/033	
70.060	1058 370 022	Oil Dam	1	All	
70.070	0734 313 163	O-Ring	1	All	* Available in kit 1058 298 023
70.080	0730 513 920	Snap Ring	1	All	
70.090	0501 315 746	Undulated Spring	1	004/007/009	
	0501 316 760	Undulated Spring	1	014/015/021/029/030/ 031/033	
70.100	1058 370 053	Steel Plate A	6	004/007	* Available in kit 1058 298 016
	1058 370 066	Steel Plate A	6	All (except 004/007)	* Available in kit 1058 298 017
70.110	1058 270 020	Friction Plate A	6	004/007	* Available in kit 1058 298 014
	1058 270 028	Friction Plate A	6	All (except 004/007)	* Available in kit 1058 298 015
70.120	1058 370 057	End Plate A	1	All	* Available in kit 1058 298 016 * Available in kit 1058 298 017
70.140	See Page 43	Clutch A Snap Ring	1	All	Selective Snap Ring

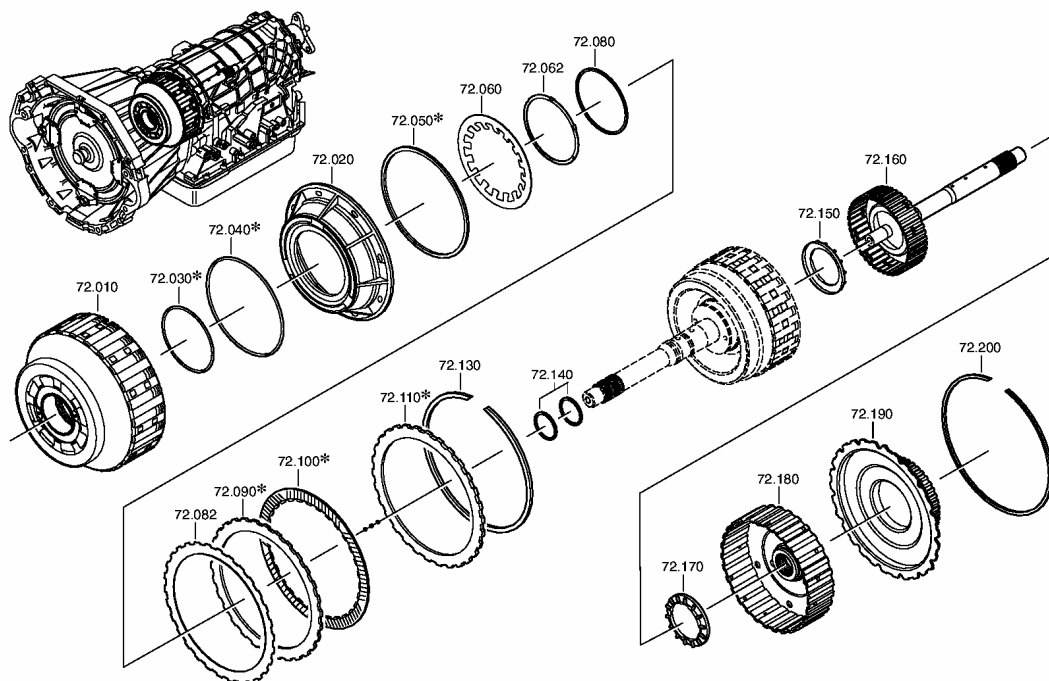


**Note:** Parts marked with \* are only available in kits.



## 5HP24A Spare Parts – Clutch Pack Groups (continued)

Pos #	ZF Part #	Description	Qty	Where used (1058 020 ___)	Notes
72.010	1058 271 042	Cylinder B	1	All	
72.020	1058 371 039	Piston	1	All	
72.030	0734 313 175	O-Ring	1	All	* Available in kit 1058 298 023
72.040	0734 313 007	O-Ring	1	All	* Available in kit 1058 298 023
72.050	0501 315 073	Sealing Ring	1	All	* Available in kit 1058 298 023
72.060	0501 319 155	Cup Spring	1	All	
72.062	1058 371 044	Fixing Washer	1	All	
72.080	1058 371 010	Snap Ring	1	All	
72.082	0501 316 282	Undulated Spring	1	004/007/009	
72.082	0501 316 761	Undulated Spring	1	014/015/021/029/030/ 031/033	
72.090	1058 370 050	Steel Plate B	6	004/007	* Available in kit 1058 298 016
	1058 370 073	Steel Plate B	6	All (except 004/007)	* Available in kit 1058 298 017
72.100	1058 270 025	Friction Plate B	6	004/007	* Available in kit 1058 298 014
	1058 270 029	Friction Plate B	6	All (except 004/007)	* Available in kit 1058 298 015
72.110	1058 370 049	End Plate B	1	004/007	* Available in kit 1058 298 016
	1058 370 076	End Plate B	1	All (except 004/007)	* Available in kit 1058 298 017
72.130	See Page 43	Clutch B Snap Ring	1	All	Selective Snap Ring
72.140	0734 317 256	Piston Ring	2	All	
72.150	0735 368 078	Axial Needle Bearing	1	All	
72.160	1058 202 015	Intermediate Shaft	1	All	
72.170	0735 368 079	Axial Needle Bearing	1	All	
72.180	1058 271 041	Disc Carrier	1	All	
72.190	1058 272 015	Disc Carrier	1	All	
72.200	1058 371 011	Snap Ring	1	All	

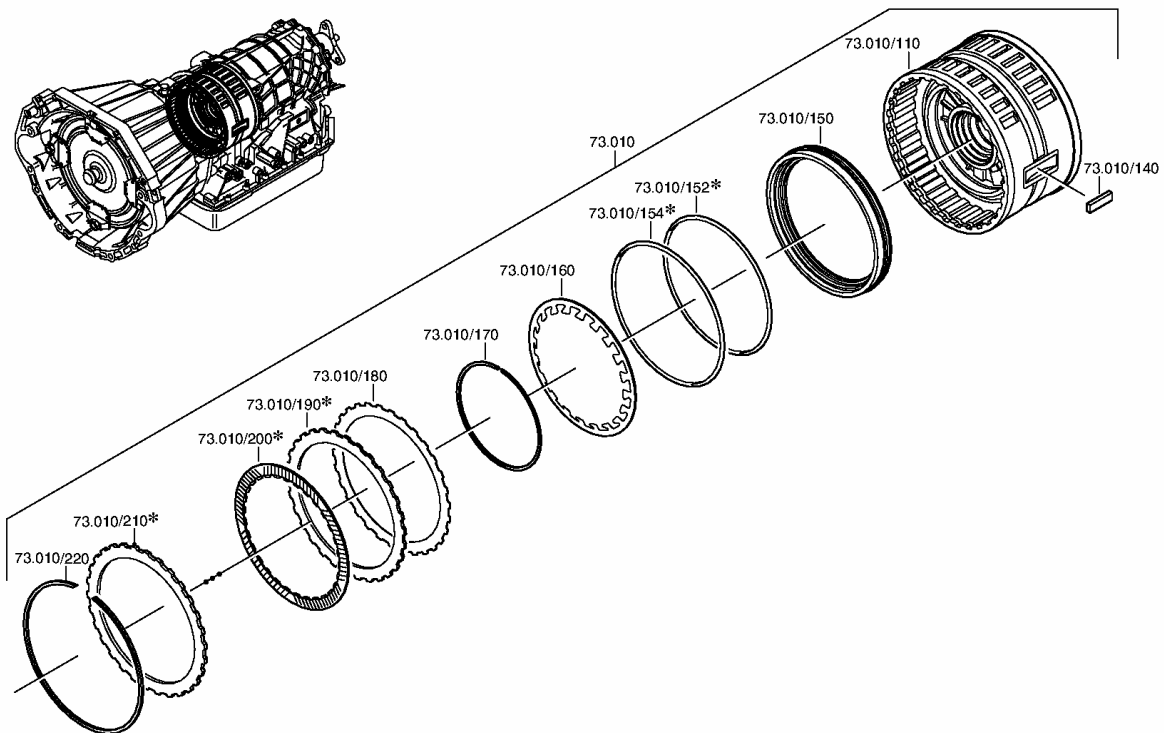


**Note:** Parts marked with \* are only available in kits.



## 5HP24A Spare Parts – Clutch Pack Groups (continued)

Pos #	ZF Part #	Description	Qty	Where used (1058 020 ___)	Notes
73.010	1058 273 025	Cylinder D	1	004/007	
	1058 273 032	Cylinder D	1	009	
	1058 273 035	Cylinder D	1	014/015/021/029/030/ 031/033	
73.010/110	1058 273 028	Cylinder D	1	004/007/009	
	1058 273 033	Cylinder D	1	014/015/021/029/030/ 031/033	
73.010/140	0301 317 016	Fitting Key	2	All	
73.010/150	1058 373 039	Piston	1	All	
73.010/152	0734 313 169	O-Ring	1	All	* Available in kit 1058 298 023
73.010/154	0734 313 180	O-Ring	1	All	* Available in kit 1058 298 023
73.010/160	0501 315 494	Cup Spring	1	All	
73.010/170	1058 373 003	Snap Ring	1	All	
73.010/180	0501 316 282	Undulated Spring	1	004/007/009	
	0501 316 761	Undulated Spring	1	014/015/021/029/030/ 031/033	
73.010/190	1058 370 050	Steel Plate D	4	004/007	* Available in kit 1058 298 016
	1058 370 073	Steel Plate D	4	All (except 004/007)	* Available in kit 1058 298 017
73.010/200	1058 270 025	Friction Plate D	4	004/007	* Available in kit 1058 298 014
	1058 270 029	Friction Plate D	4	All (except 004/007)	* Available in kit 1058 298 015
73.010/210	1058 370 049	End Plate D	1	004/007	* Available in kit 1058 298 016
	1058 370 076	End Plate D	1	All (except 004/007)	* Available in kit 1058 298 017
73.010/220	See Page 43	Clutch D Snap Ring	1	All	Selective Snap Ring

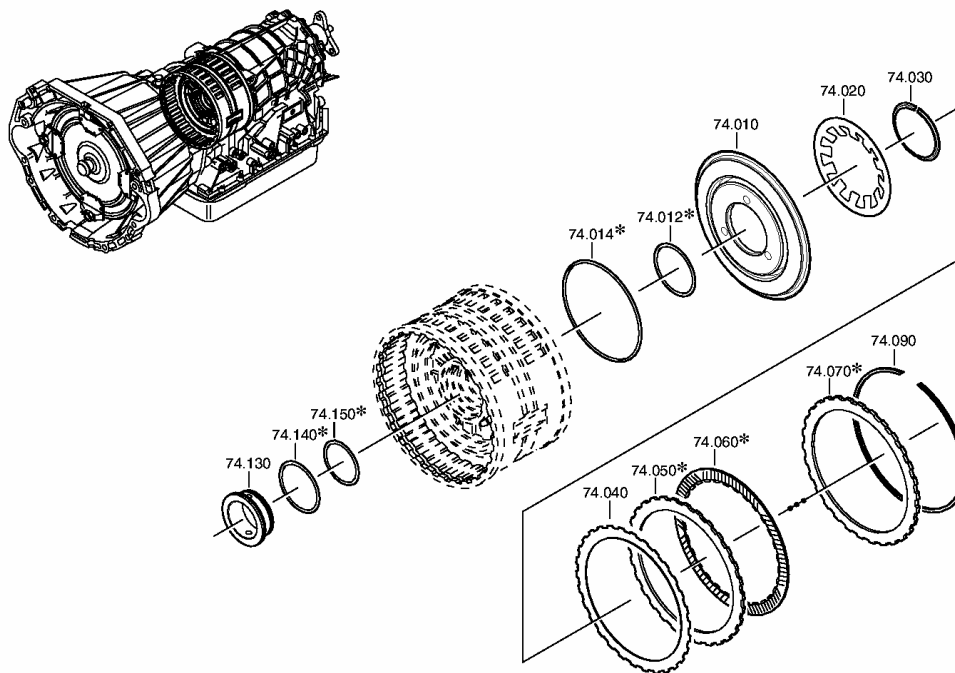


**Note:** Parts marked with \* are only available in kits.



## 5HP24A Spare Parts – Clutch Pack Groups (continued)

Pos #	ZF Part #	Description	Qty	Where used (1058 020 ___)	Notes
74.010	1058 375 020	Piston	1	All	
74.012	0734 313 149	O-Ring	1	All	* Available in kit 1058 298 023
74.014	0734 313 007	O-Ring	1	All	* Available in kit 1058 298 023
74.020	0501 314 708	Cup Spring	1	All	
74.030	1058 375 002	Split Ring	1	All	
74.040	0501 316 761	Undulated Spring	1	014/015/021/029/030/ 031/033	
74.050	1058 370 050	Steel Plate E	5	004/007	* Available in kit 1058 298 016
	1058 370 073	Steel Plate E	5	All (except 004/007)	* Available in kit 1058 298 017
74.060	1058 270 025	Friction Plate E	5	004/007	* Available in kit 1058 298 014
	1058 270 029	Friction Plate E	5	All (except 004/007)	* Available in kit 1058 298 015
74.070	1058 370 049	End Plate E	1	004/007	* Available in kit 1058 298 016
	1058 370 076	End Plate E	1	All (except 004/007)	* Available in kit 1058 298 017
74.090	See Page 43	Clutch E Snap Ring	1	All	Selective Snap Ring
74.130	1058 373 040	Support Bush	1	All	
74.140	0734 313 198	O-Ring	1	All	* Available in kit 1058 298 023
74.150	0734 313 151	O-Ring	1	All	* Available in kit 1058 298 023

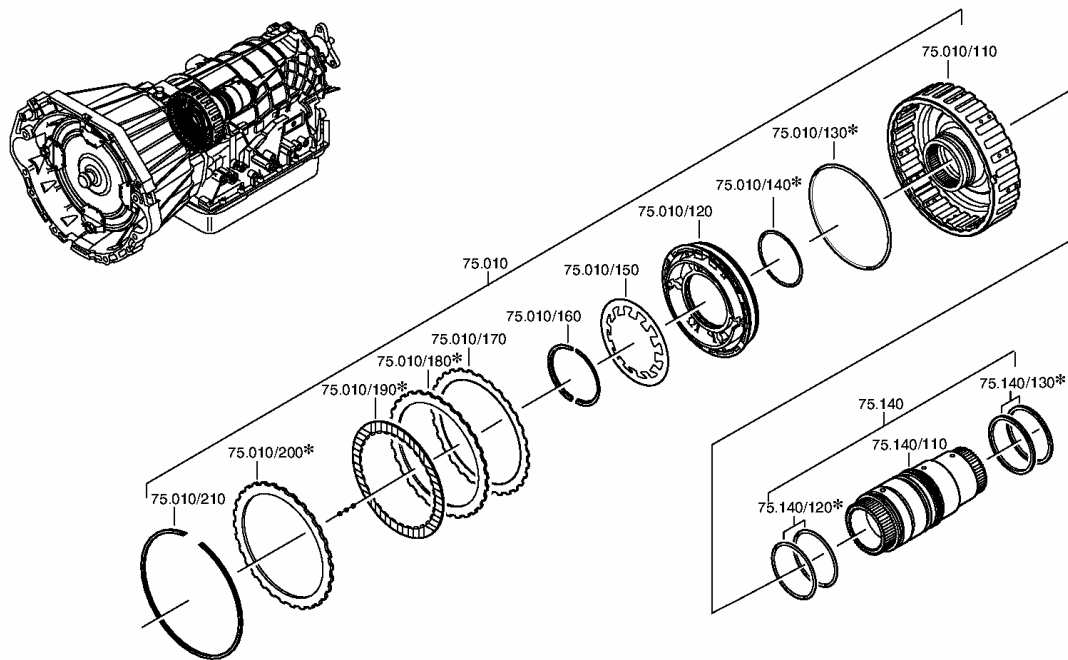


**Note:** Parts marked with \* are only available in kits.



## 5HP24A Spare Parts – Clutch Pack Groups (continued)

Pos #	ZF Part #	Description	Qty	Where used (1058 020 ___)	Notes
75.010	1058 275 005	Cylinder C	1	004/007	
	1058 275 008	Cylinder C	1	009	
	1058 275 009	Cylinder C	1	014/015/021/029/030/ 031/033	
75.010/110	1058 372 019	Cylinder C	1	All	
75.010/120	1058 275 002	Piston	1	All	
75.010/130	0734 313 014	O-Ring	1	All	* Available in kit 1058 298 023
75.010/140	0734 313 025	O-Ring	1	All	* Available in kit 1058 298 023
75.010/150	0501 314 424	Cup Spring	1	All	
75.010/160	1055 376 025	Split Ring	1	All	
75.010/170	0501 315 746	Undulated Spring	1	004/007/009	
	0501 316 760	Undulated Spring	1	014/015/021/029/030/ 031/033	
75.010/180	1058 370 053	Steel Plate C	4	004/007	* Available in kit 1058 298 016
	1058 370 066	Steel Plate C	4	All (except 004/007)	* Available in kit 1058 298 017
75.010/190	1058 270 020	Friction Plate C	4	004/007	* Available in kit 1058 298 014
	1058 270 028	Friction Plate C	4	All (except 004/007)	* Available in kit 1058 298 015
75.010/200	1058 370 052	End Plate C	1	004/007	* Available in kit 1058 298 016
	1058 370 067	End Plate C	1	All (except 004/007)	* Available in kit 1058 298 017
75.010/210	See Page 44	Clutch C Snap Ring	1	All	Selective Snap Ring
75.140	1058 275 007	Sun Gear Shaft	1	All	
75.140/110	1058 202 014	Sun Gear Shaft	1	All	
75.140/120	0301 302 040	O-Ring	2	All	* Available in kit 1058 298 023
75.140/130	0734 317 279	Sealing Ring	2	All	* Available in kit 1058 298 023



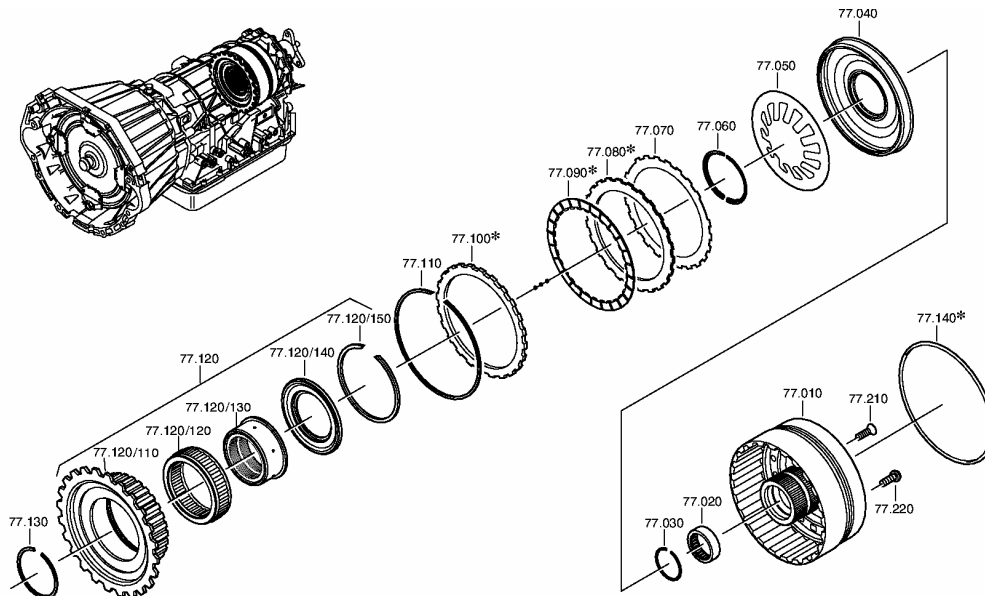
**Note:** Parts marked with \* are only available in kits.





## 5HP24A Spare Parts – Clutch Pack Groups (continued)

Pos #	ZF Part #	Description	Qty	Where used (1058 020 ___)	Notes
77.010	1058 277 005	Cylinder F	1	007	
	1058 277 001	Cylinder F	1	All (except 007)	
77.020	0635 303 058	Needle Sleeve	1	All	
77.030	0630 513 037	Snap Ring	1	All	
77.040	0501 212 967	Piston	1	All	
77.050	0501 313 573	Cup Spring	1	All	
77.060	1055 376 025	Split Ring	1	All	
77.070	1055 370 088	Spring Clutch Disc	1	All	
77.080	1055 374 024	Steel Plate F	6	004/007	* Available in kit 1058 298 016
	1055 374 030	Steel Plate F	6	All (except 004/007)	* Available in kit 1058 298 017
77.090	1055 270 069	Friction Plate F	6	004/007	* Available in kit 1058 298 014
	1055 270 072	Friction Plate F	6	All (except 004/007)	* Available in kit 1058 298 015
77.100	1055 376 052	End Plate F	1	004/007	* Available in kit 1058 298 016
	1055 376 054	End Plate F	1	All (except 004/007)	* Available in kit 1058 298 017
77.110	See Page 44	Clutch F Snap Ring	1	All	Selective Snap Ring
77.120	1058 277 006	Free Wheel	1	All	
77.120/110	1058 277 006	Free Wheel	1	All	
77.120/120	0501 209 988	Free Wheel	1	All	
77.120/130	1055 376 037	Free Wheel Ring	1	All	
77.120/140	1055 376 039	Fixing Washer	1	All	
77.120/150	1055 376 034	Snap Ring	1	All	
77.130	0630 503 028	Snap Ring	1	All	
77.140	0734 313 096	O-Ring	1	All	* Available in kit 1058 298 023
77.210	0736 401 071	Counters. Screw M8x24	2	All (except 004)	
	0736 401 071	Counters. Screw M8x24	12	004	
77.220	0736 101 414	Torx Screw M8x35	10	All	



**Note:** Parts marked with \* are only available in kits.



## 5HP24A Valve Body – Duct Plate Group

Pos #	ZF Part #	Description	Qty	Where used (1058 020 ____)	Notes
27.010	1058 327 086	Duct Plate	1	All	
27.020	1056 327 019	Valve Orifice D=1.0	1	All	
27.024	1056 327 079	Valve Orifice D=2.2	1	All	
27.030	1056 327 094	Valve Orifice D=1.4	1	All	
27.034	1056 327 021	Valve Orifice D=1.5	1	All	
27.040	1056 327 020	Valve Orifice D=1.2	1	All	
27.044	0501 314 645	Rubber Part	1	All	* Available in kit 1058 298 023
	1068 227 039	Piston	1	All	* Available in kit 1058 298 023
27.050	1056 327 019	Valve Orifice D=1.0	1	All	
27.060	1056 327 094	Valve Orifice D=1.4	1	All	
27.070	1056 327 019	Valve Orifice D=1.0	1	All	
27.074	1060 227 019	Valve	1	014/015/021/029/030/ 031/033	
27.086	1043 326 037	Ball	1	All	
27.090	0501 313 177	Screen	1	All	
27.094	1060 227 019	Valve	1	All	
27.100	1058 327 045	Gasket	1	All	* Available in kit 1058 298 023
27.110	1058 327 032	Intermediate Sheet	1	004/007/009	
	1058 327 070	Intermediate Sheet	1	014/015/021/029/030/ 031/033	
27.120	1055 327 049	Ledge	1	All	
27.130	0736 101 065	Torx Screw M5x22	3	All	
27.140	1055 327 050	Ledge	1	All	
27.150	0736 101 065	Torx Screw M5x22	3	All	
27.160	0501 311 086	Speed Sensor	1	All	
27.162	1058 327 011	Spacer Ring	2	All	
27.172	0736 101 064	Torx Screw M5x25	2	All	
27.180	1058 327 035	Intermediate Sheet	1	004/007/009	
	1058 327 066	Intermediate Sheet	1	014/015/021/029/030/ 031/033	
27.190	0631 302 165	Cylindrical Pin	1	All	
27.200	0736 101 092	Torx Screw M5x40	11	All	
27.210	1058 327 023	Guide Sheet	2	All	
27.220	0630 302 103	Spring Washer	2	All	
	0736 101 090	Torx Screw M5x55	2	All	
27.230	0736 101 059	Torx Screw M5x55	10	All	
27.260	1058 227 020	Wiring Harness	1	All	
27.260/116	0501 209 253	O-Ring	2	All	* Available in kit 1058 298 023
27.274	0501 320 279	Cable Terminal	2	All	
27.280	1058 327 043	Fixing Plate	1	All	
27.290	0630 501 025	Retaining Ring	1	All	
27.310	0501 209 749	Filter	1	All	
27.400	0736 101 069	Torx Screw M6x60	15	All	
27.404	0736 101 211	Torx Screw M6x55	1	All	
27.410	0736 101 176	Torx Screw M6x30	5	All	
27.450	0501 005 998	Filter	1	004/007/009	
	0501 006 460	Filter	1	014/015/021/029/030/ 031/033	* Available in kit 5HP24FKA
27.460	0734 313 181	O-Ring	1	All	* Available in kit 1058 298 023 * Available in kit 5HP24FKA

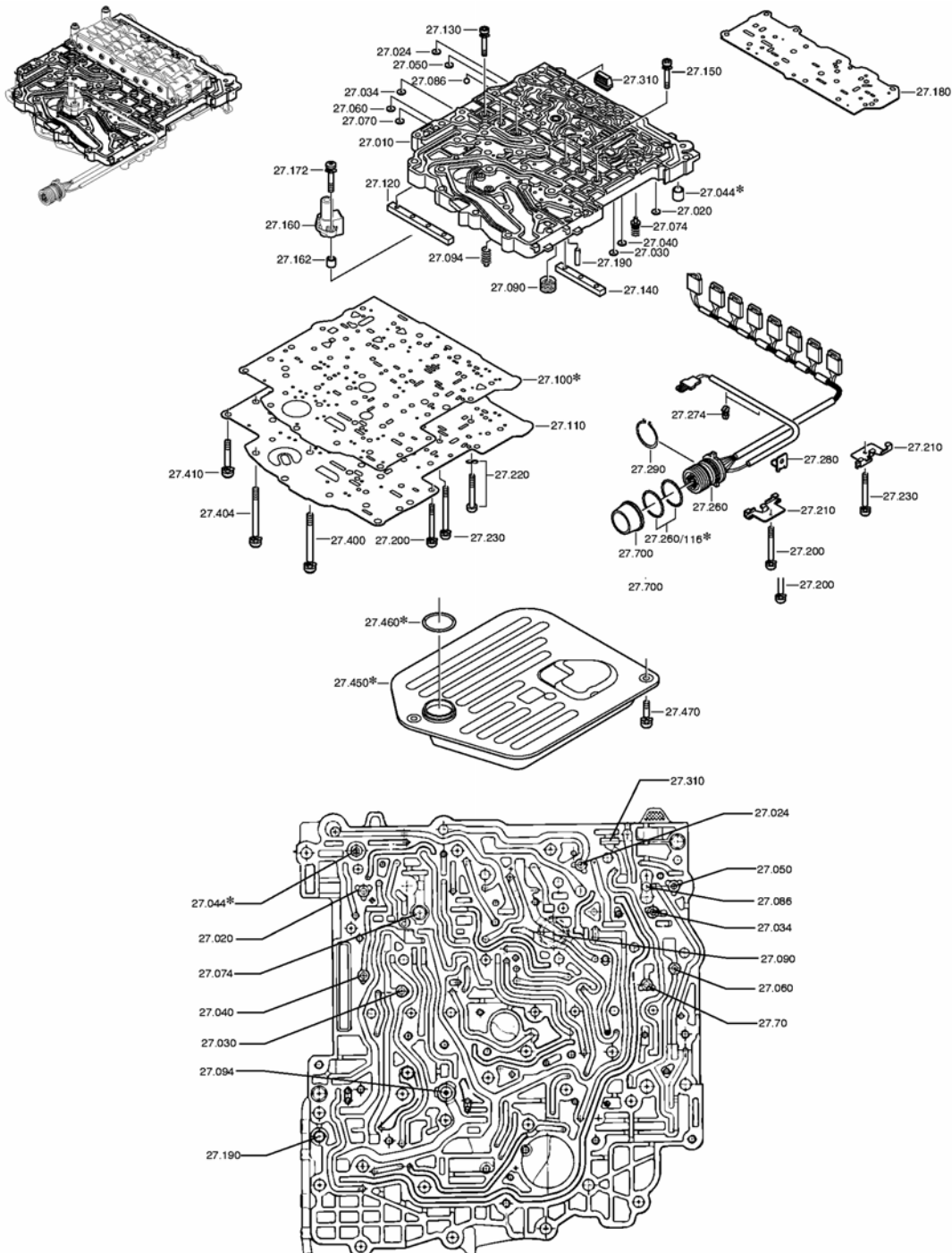
**Note:** Parts marked with \* are only available in kits.





## 5HP24A Valve Body – Duct Plate Group (continued)

Pos #	ZF Part #	Description	Qty	Where used (1058 020 ___)	Notes
27.470	0736 617 064	Torx Screw M5x14	2	All	
27.700	0501 318 717	Protecting Cap	1	All	

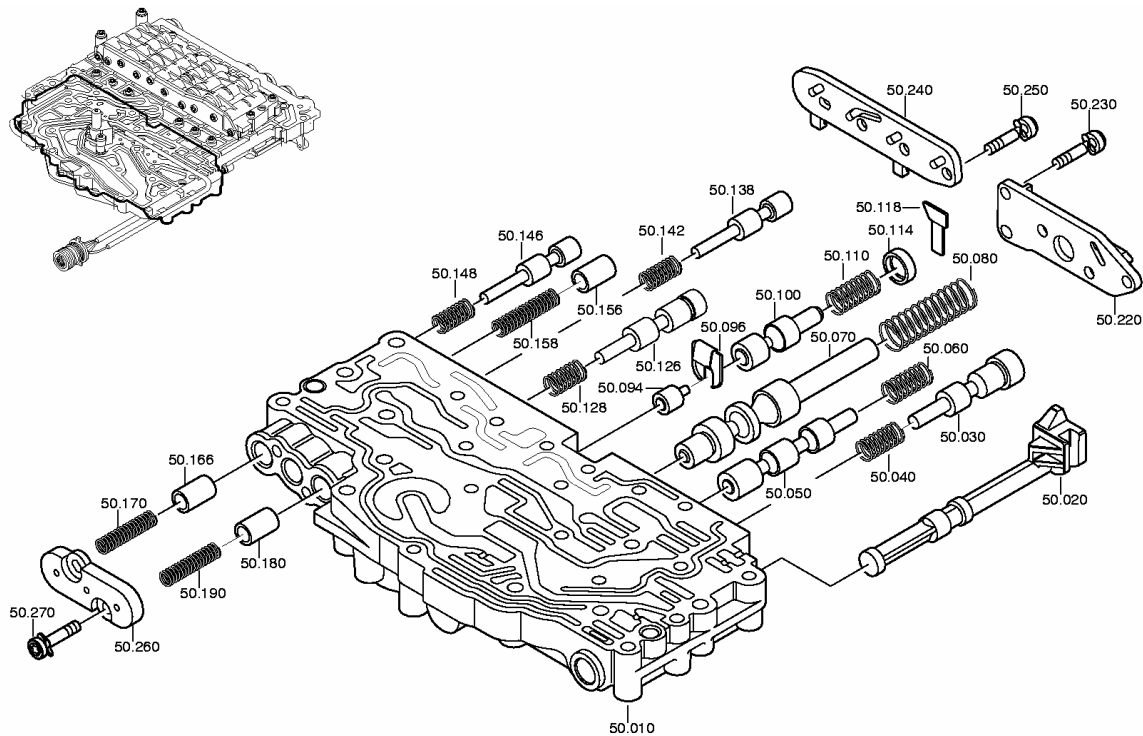


**Note:** Parts marked with \* are only available in kits.



## 5HP24A Valve Body – Valve Housing Groups

Pos #	ZF Part #	Description	Qty	Where used (1058 020 ___)	Notes
50.010	1058 327 022	Valve Housing	1	All	
50.020	1056 327 173	Selector Shift Valve	1	All	
50.030	1058 327 024	Piston	1	All	
50.040	0732 042 504	Compression Spring	1	All	
50.050	1058 327 044	Piston	1	All	
50.060	0732 042 477	Compression Spring	1	All	
50.070	1058 327 030	Piston	1	All	
50.080	0732 042 633	Compression Spring	1	All	
50.094	1055 327 098	Piston	1	All	
50.096	1055 327 064	Stop Plate	1	All	
50.100	1055 327 052	Piston	1	All	
50.110	0732 042 492	Compression Spring	1	All	
50.114	1055 327 101	Sealing Cap	1	All	
50.118	1043 323 105	Support Plate	1	All	
50.126	1055 327 059	Piston	1	All	
50.128	0732 041 523	Compression Spring	1	004/007/009	
	0732 042 123	Compression Spring	1	014/015/021/029/030/ 031/033	

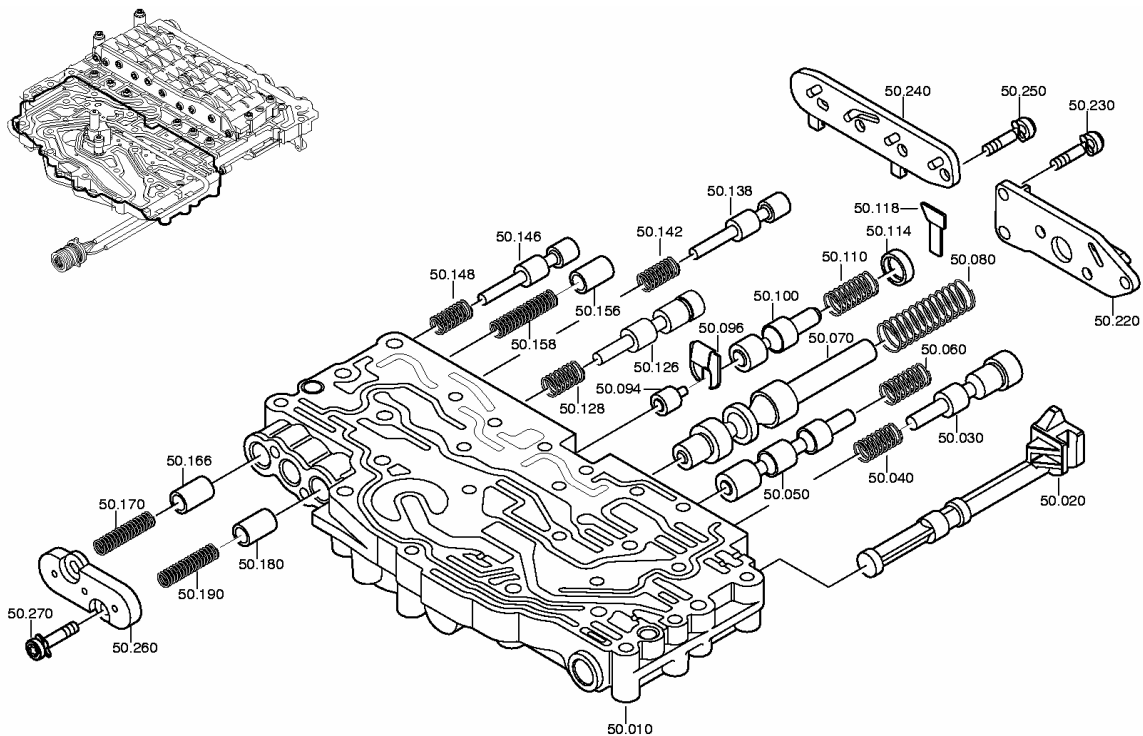


**Note:** Parts marked with \* are only available in kits.



## 5HP24A Valve Body – Valve Housing Groups (continued)

Pos #	ZF Part #	Description	Qty	Where used (1058 020 ___)	Notes
50.138	1043 326 169	Valve Spool	1	All	
50.142	0732 041 526	Compression Spring	1	All	
50.146	1043 326 169	Valve Spool	1	All	
50.148	0732 041 809	Compression Spring	1	All	
50.156	1043 326 289	Piston	1	All	
50.158	0732 042 561	Compression Spring	1	All	
50.166	1043 326 289	Piston	1	All	
50.170	0732 042 561	Compression Spring	1	All	
50.180	1043 326 289	Piston	1	All	
50.190	0732 042 561	Compression Spring	1	All	
50.220	1055 327 043	Cover	1	All	
50.230	0736 101 094	Torx Screw M5x12	5	All	
50.240	1055 327 044	Cover	1	All	
50.250	0736 101 094	Torx Screw M5x12	4	All	
50.260	1058 327 021	Cover	1	All	
50.270	0736 101 094	Torx Screw M5x12	2	All	

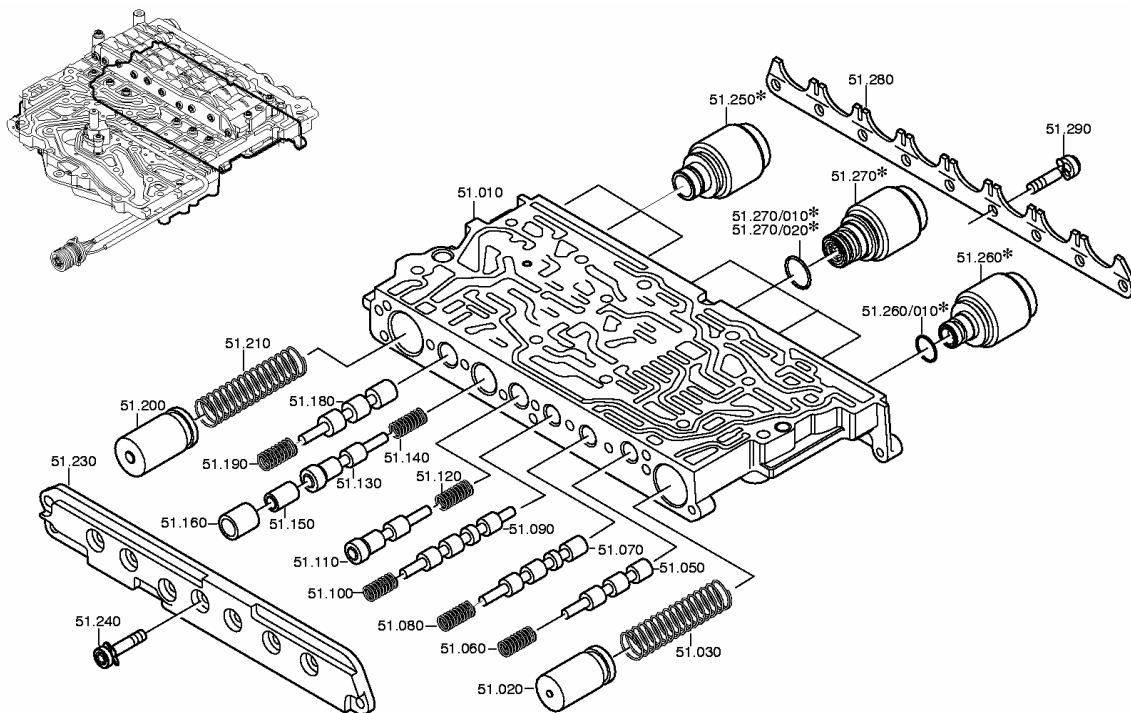


**Note:** Parts marked with \* are only available in kits.



## 5HP24A Valve Body – Valve Housing Groups (continued)

Pos #	ZF Part #	Description	Qty	Where used (1058 020 ___)	Notes
51.010	1058 327 063	Valve Housing	1	All	
51.020	1058 327 017	Damper Piston	1	All	
51.030	0732 041 547	Compression Spring	1	004/007/009	
	0732 042 736	Compression Spring	1	014/015/021/029/030/ 031/033	
51.050	1056 327 028	Piston	1	All	
51.060	0732 041 462	Compression Spring	1	All	
51.070	1056 327 029	Gear Shift Slide	1	All	
51.080	0732 041 462	Compression Spring	1	All	
51.090	1055 327 023	Piston	1	All	
51.100	0732 041 826	Compression Spring	1	All	
51.110	1055 327 059	Piston	1	All	
51.120	0732 042 022	Compression Spring	1	All	
51.130	1055 327 058	Piston	1	All	
51.140	0732 041 462	Compression Spring	1	All	
51.150	1055 327 054	Piston	1	All	
51.160	1055 327 055	Bush	1	All	

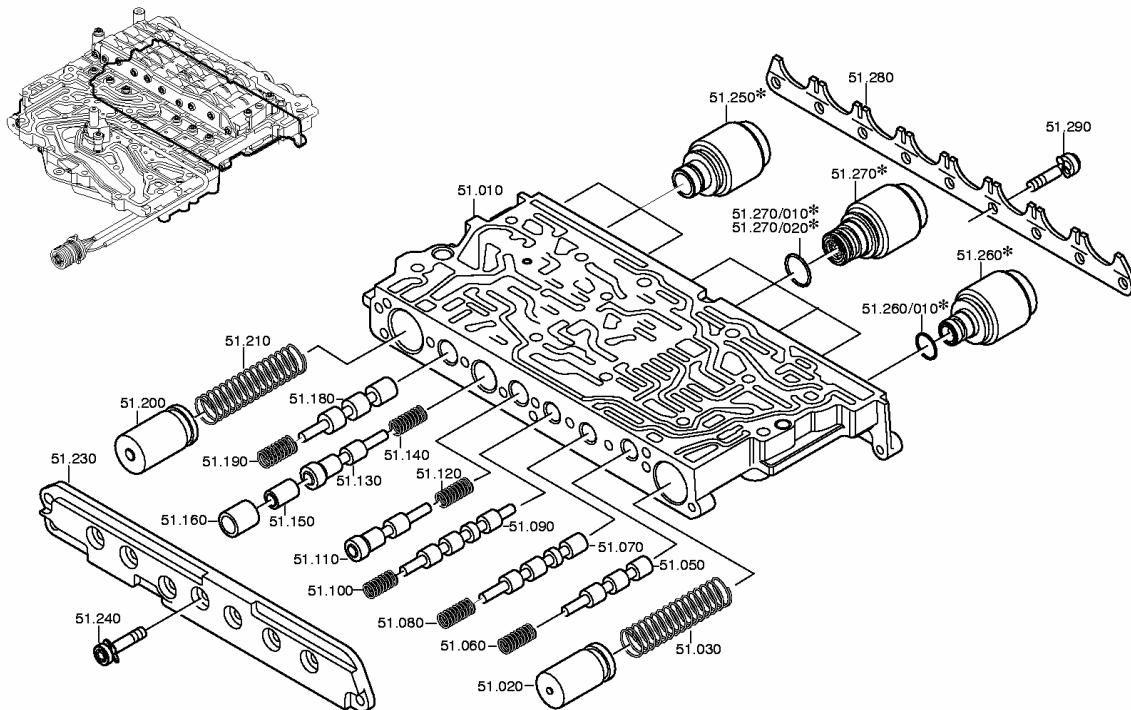


**Note:** Parts marked with \* are only available in kits.



## 5HP24A Valve Body – Valve Housing Groups (continued)

Pos #	ZF Part #	Description	Qty	Where used (1058 020 ___)	Notes
51.180	1056 327 001	Piston	1	All	
51.190	0732 041 606	Compression Spring	1	All	
51.200	1058 327 017	Damper Piston	1	All	
51.210	0732 041 547	Compression Spring	1	All	
51.230	1055 327 046	Cover	1	All	
51.240	0736 101 094	Torx Screw M5x12	10	All	
51.250	0750 132 122	Solenoid Valve	3	All	* Available in kit 1060 298 034
51.260	0501 210 060	Pressure Regulator	1	All	* Available in kit 1060 298 034
51.260/010	0634 316 523	O-Ring	1	All	* Available in kit 1058 298 023 * Available in kit 1060 298 034
51.270	0501 210 061	Pressure Regulator	4	004/007/009	* Available in kit 1060 298 034
	0501 208 542	Pressure Regulator	4	014/015/021/029/030/ 031/033	
51.270/010 51.270/020	0734 313 134	O-Ring	4	All	* Available in kit 1058 298 023 * Available in kit 1060 298 034
51.280	1055 327 051	Fixing Plate	1	All	
51.290	0736 101 094	Torx Screw M5x12	9	All	



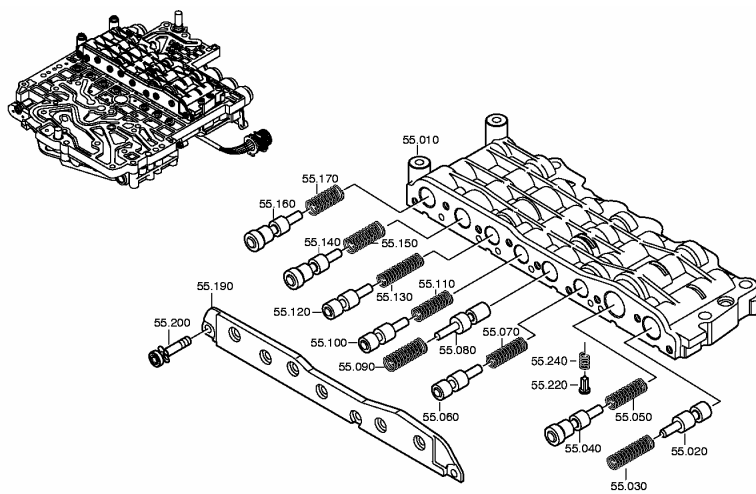
**Note:** Parts marked with \* are only available in kits.





## 5HP24A Valve Body – Valve Housing Groups (continued)

Pos #	ZF Part #	Description	Qty	Where used (1058 020 ___)	Notes
55.010	1058 327 059	Valve Housing	1	004/007/009	
	1058 327 068	Valve Housing	1	014/015/021/029/030/ 031/033	
55.020	1055 327 065	Piston	1	All	
55.030	0732 041 894	Compression Spring	1	004/007/009	
	0732 042 034	Compression Spring	1	014/015/021/029/030/ 031/033	
55.040	1055 327 059	Piston	1	All	
55.050	0732 042 123	Compression Spring	1	All	
55.060	1043 326 169	Valve Spool	1	All	
55.070	0732 041 809	Compression Spring	1	All	
55.080	1055 327 091	Piston	1	All	
55.090	0732 042 382	Compression Spring	1	All	
55.100	1043 326 169	Valve Spool	1	All	
55.110	0732 042 504	Compression Spring	1	All	
55.120	1043 326 169	Valve Spool	1	All	
55.130	0732 041 809	Compression Spring	1	All	
55.140	1019 327 012	Piston	1	014/015/021/029/030/ 031/033	
	1055 327 059	Piston	1	004/007/009	
55.150	0732 041 462	Compression Spring	1	014/015/021/029/030/ 031/033	
	0732 041 667	Compression Spring	1	004/007/009	
55.160	1055 327 059	Piston	1	All	
55.170	0732 041 526	Compression Spring	1	All	
55.190	1055 327 047	Cover	1	All	
55.200	0736 101 094	Torx Screw M5x12	9	All	
55.220	1058 327 038	Valve	1	All	
55.240	0732 042 676	Compression Spring	1	All	



**Note:** Parts marked with \* are only available in kits.



## 5HP24A Selective Shims & Snap Rings

### 5HP24A Selective Shim

Pos #	Select. Parts	Description	Qty	Where used (1058 020 ___)
<b>02.260</b>		<b>Intermediate Plate Shim</b>	<b>1</b>	<b>All</b>
	0730 109 662	Shim A=1.40		
	0730 109 663	Shim A=1.60		
	0730 109 664	Shim A=1.80		
	0730 109 665	Shim A=2.00		
	0730 109 666	Shim A=2.20		
	0730 109 667	Shim A=2.40		
	0730 109 668	Shim A=2.60		
	0730 109 669	Shim A=2.80		
	0730 109 670	Shim A=3.00		

### 5HP24A Selective Shim

Pos #	Select. Parts	Description	Qty	Where used (1058 020 ___)
<b>35.020</b>		<b>Pinion Bearing Shim</b>	<b>1</b>	<b>004/007/009/014/015/021/029/031/033</b>
	0730 106 428	Shim A=0.80		
	0730 106 429	Shim A=0.85		
	0730 106 430	Shim A=0.90		
	0730 106 431	Shim A=0.95		
	0730 106 432	Shim A=1.00		
	0730 106 433	Shim A=1.05		
	0730 106 434	Shim A=1.10		
	0730 106 435	Shim A=1.15		
	0730 106 436	Shim A=1.20		
	0730 106 437	Shim A=1.25		
	0730 106 438	Shim A=1.30		
	0730 106 439	Shim A=1.35		
	0730 106 440	Shim A=1.40		
	0730 106 441	Shim A=1.45		
	0730 106 442	Shim A=1.50		
	0730 106 443	Shim A=1.55		
	0730 106 444	Shim A=1.60		
	0730 106 445	Shim A=1.65		
	0730 106 446	Shim A=1.70		
	0730 106 447	Shim A=1.75		
	0730 106 448	Shim A=1.80		
	0730 106 449	Shim A=1.85		
	0730 106 450	Shim A=1.90		
	0730 106 451	Shim A=1.95		
	0730 106 452	Shim A=2.00		
	0730 106 453	Shim A=2.05		
	0730 106 454	Shim A=2.10		
	0730 106 455	Shim A=2.15		
	0730 106 456	Shim A=2.20		



## 5HP24A Selective Shims & Snap Rings (continued)

### 5HP24A Selective Shim

Pos #	Select. Parts	Description	Qty	Where used (1058 020 ___)
<b>35.020</b>		<b>Pinion Bearing Shim</b>	<b>1</b>	<b>030</b>
	0730 007 517	Shim A=0.97		
	0730 007 518	Shim A=1.00		
	0730 007 519	Shim A=1.03		
	0730 007 520	Shim A=1.06		
	0730 007 521	Shim A=1.09		
	0730 007 522	Shim A=1.12		
	0730 007 523	Shim A=1.15		
	0730 007 524	Shim A=1.18		
	0730 007 525	Shim A=1.21		
	0730 007 526	Shim A=1.24		
	0730 007 527	Shim A=1.27		
	0730 007 528	Shim A=1.30		
	0730 007 529	Shim A=1.33		
	0730 007 530	Shim A=1.36		
	0730 007 531	Shim A=1.39		
	0730 007 532	Shim A=1.42		
	0730 007 533	Shim A=1.45		
	0730 007 534	Shim A=1.48		
	0730 007 535	Shim A=1.51		
	0730 007 536	Shim A=1.54		
	0730 007 537	Shim A=1.57		
	0730 007 538	Shim A=1.60		
	0730 007 539	Shim A=1.63		
	0730 007 540	Shim A=1.66		
	0730 007 541	Shim A=1.69		
	0730 007 542	Shim A=1.72		
0730 007 543	Shim A=1.75			
0730 007 544	Shim A=1.78			
0730 007 545	Shim A=1.81			
0730 007 546	Shim A=1.84			
0730 007 547	Shim A=1.87			

### 5HP24A Selective Shim

Pos #	Select. Parts	Description	Qty	Where used (1058 020 ___)
<b>35.080</b>		<b>Diff. Bearing Shim</b>	<b>1</b>	<b>All</b>
	0730 005 451	Shim A=1.00		
	0730 005 452	Shim A=1.05		
	0730 005 453	Shim A=1.10		
	0730 005 454	Shim A=1.15		
	0730 005 455	Shim A=1.20		
	0730 005 456	Shim A=1.25		
	0730 005 457	Shim A=1.30		
	0730 005 458	Shim A=1.35		
	0730 005 459	Shim A=1.40		
	0730 005 460	Shim A=1.45		
	0730 005 461	Shim A=1.50		
	0730 005 462	Shim A=1.55		





## 5HP24A Selective Shims & Snap Rings (continued)

### 5HP24A Selective Shim (continued)

Pos #	Select. Parts	Description	Qty	Where used (1058 020 ___)
<b>35.080</b>		<b>Diff. Bearing Shim</b>	<b>1</b>	<b>All</b>
	0730 007 549	Shim A=1.60		
	0730 007 550	Shim A=1.65		
	0730 007 551	Shim A=1.70		
	0730 007 552	Shim A=1.75		
	0730 007 553	Shim A=1.80		
	0730 007 554	Shim A=1.85		
	0730 007 555	Shim A=1.90		
	0730 007 556	Shim A=1.95		
	0730 009 638	Shim A=1.02		
	0730 009 639	Shim A=1.07		
	0730 009 640	Shim A=1.12		
	0730 009 641	Shim A=1.17		
	0730 009 642	Shim A=1.22		
	0730 009 643	Shim A=1.27		
	0730 009 644	Shim A=1.32		
	0730 009 645	Shim A=1.37		
	0730 009 646	Shim A=1.42		
	0730 009 647	Shim A=1.47		
	0730 009 648	Shim A=1.52		
	0730 009 649	Shim A=1.57		
	0730 009 650	Shim A=1.62		
	0730 009 651	Shim A=1.67		
	0730 009 652	Shim A=1.72		
	0730 009 653	Shim A=1.77		
	0730 009 654	Shim A=1.82		
0730 009 655	Shim A=1.87			
0730 009 656	Shim A=1.92			

### 5HP24A Selective Shim

Pos #	Select. Parts	Description	Qty	Where used (1058 020 ___)
<b>35.120</b>		<b>Diff. Cover Shim</b>	<b>1</b>	<b>All</b>
	0730 005 962	Shim A=1.00		
	0730 005 963	Shim A=1.05		
	0730 005 964	Shim A=1.10		
	0730 005 965	Shim A=1.15		
	0730 005 966	Shim A=1.20		
	0730 005 967	Shim A=1.25		
	0730 005 968	Shim A=1.30		
	0730 005 969	Shim A=1.35		
	0730 005 970	Shim A=1.40		
	0730 005 971	Shim A=1.45		
	0730 005 972	Shim A=1.50		
	0730 005 973	Shim A=1.55		
	0730 005 974	Shim A=1.60		
	0730 005 975	Shim A=1.65		
	0730 005 976	Shim A=1.70		
	0730 005 977	Shim A=1.75		



## 5HP24A Selective Shims & Snap Rings (continued)

### 5HP24A Selective Shim (continued)

Pos #	Select. Parts	Description	Qty	Where used (1058 020 ___)
<b>35.120</b>		<b>Diff. Cover Shim</b>	<b>1</b>	<b>All</b>
	0730 005 978	Shim A=1.80		
	0730 005 979	Shim A=1.85		
	0730 005 980	Shim A=1.90		
	0730 009 657	Shim A=1.02		
	0730 009 658	Shim A=1.07		
	0730 009 659	Shim A=1.12		
	0730 009 660	Shim A=1.17		
	0730 009 661	Shim A=1.22		
	0730 009 662	Shim A=1.27		
	0730 009 663	Shim A=1.32		
	0730 009 664	Shim A=1.37		
	0730 009 665	Shim A=1.42		
	0730 009 666	Shim A=1.47		
	0730 009 667	Shim A=1.52		
	0730 009 668	Shim A=1.57		
	0730 009 669	Shim A=1.62		
0730 009 670	Shim A=1.67			
0730 009 671	Shim A=1.72			
0730 009 672	Shim A=1.77			
0730 009 673	Shim A=1.82			
0730 009 674	Shim A=1.87			

### 5HP24A Selective Shim

Pos #	Select. Parts	Description	Qty	Where used (1058 020 ___)
<b>37.110</b>		<b>Output Shim</b>	<b>1</b>	<b>All</b>
	0730 109 313	Shim A=3.20		
	0730 109 314	Shim A=3.40		
	0730 109 315	Shim A=3.60		
	0730 109 316	Shim A=3.80		
	0730 109 317	Shim A=4.00		
	0730 109 318	Shim A=4.20		
	0730 109 319	Shim A=4.40		
	0730 109 320	Shim A=4.60		

### 5HP24A Selective Shim

Pos #	Select. Parts	Description	Qty	Where used (1058 020 ___)
<b>37.140</b>		<b>Output Shaft Gear Shim</b>	<b>1</b>	<b>All</b>
	0730 009 178	Shim A=1.00		
	0730 009 177	Shim A=1.05		
	0730 008 225	Shim A=1.10		
	0730 008 226	Shim A=1.15		
	0730 008 227	Shim A=1.20		
	0730 008 228	Shim A=1.25		
	0730 008 229	Shim A=1.30		
	0730 008 230	Shim A=1.35		
	0730 008 231	Shim A=1.40		



## 5HP24A Selective Shims & Snap Rings (continued)

### 5HP24A Selective Shim (continued)

Pos #	Select. Parts	Description	Qty	Where used (1058 020 ___)
<b>37.140</b>		<b>Output Shaft Gear Shim</b>	<b>1</b>	<b>All</b>
	0730 008 232	Shim A=1.45		
	0730 008 233	Shim A=1.50		
	0730 008 234	Shim A=1.55		
	0730 008 235	Shim A=1.60		
	0730 008 236	Shim A=1.65		

### 5HP24A Selective Snap Ring

Pos #	Select. Parts	Description	Qty	Where used (1058 020 ___)
<b>70.140</b>		<b>Clutch A Snap Ring</b>	<b>1</b>	<b>All</b>
	1058 370 023	Snap Ring A=1.80		
	1058 370 024	Snap Ring A=2.00		
	1058 370 021	Snap Ring A=2.20		
	1058 370 011	Snap Ring A=2.40		
	1058 370 012	Snap Ring A=2.60		
	1058 370 013	Snap Ring A=2.80		
	1058 370 014	Snap Ring A=3.00		
	1058 370 015	Snap Ring A=3.20		
	1058 370 016	Snap Ring A=3.40		
	1058 370 017	Snap Ring A=3.60		

### 5HP24A Selective Snap Ring

Pos #	Select. Parts	Description	Qty	Where used (1058 020 ___)
<b>72.130</b> <b>73.010/220</b> <b>74.090</b>		<b>Clutch B Snap Ring</b>	<b>1</b>	<b>All</b>
		<b>Clutch D Snap Ring</b>		
		<b>Clutch E Snap Ring</b>		
	1058 371 024	Snap Ring A=2.20		
	1058 371 021	Snap Ring A=2.40		
	1058 371 011	Snap Ring A=2.60		
	1058 371 012	Snap Ring A=2.80		
	1058 371 013	Snap Ring A=3.00		
	1058 371 014	Snap Ring A=3.20		
	1058 371 015	Snap Ring A=3.40		
	1058 371 016	Snap Ring A=3.60		
	1058 371 017	Snap Ring A=3.80		
	1058 371 018	Snap Ring A=4.00		
	1058 371 019	Snap Ring A=4.20		
	1058 371 020	Snap Ring A=4.40		
	1058 371 036	Snap Ring A=4.60		



## 5HP24A Selective Shims & Snap Rings (continued)

### 5HP24A Selective Snap Ring

Pos #	Select. Parts	Description	Qty	Where used (1058 020 ___)
<b>75.010/210</b>		<b>Clutch C Snap Ring</b>	<b>1</b>	<b>All</b>
	0730 513 591	Snap Ring A=2.20		
	0730 513 592	Snap Ring A=2.40		
	0730 513 593	Snap Ring A=2.60		
	0730 513 594	Snap Ring A=2.80		
	0730 513 595	Snap Ring A=3.00		
	0730 513 596	Snap Ring A=3.20		
	0730 513 597	Snap Ring A=3.40		

### 5HP24A Selective Snap Ring

Pos #	Select. Parts	Description	Qty	Where used (1058 020 ___)
<b>77.110</b>		<b>Clutch F Snap Ring</b>	<b>1</b>	<b>All</b>
	1055 370 007	Snap Ring A=2.60		
	1055 370 010	Snap Ring A=3.00		
	1055 370 011	Snap Ring A=3.40		
	1055 370 014	Snap Ring A=3.80		



## 5HP24A Kit Content

### 5HP24A Fiber Clutch Kit – 1058 298 014

Pos #	ZF Part #	Description	Qty	Where used (1058 020 ___)	Notes
70.110	1058 270 020	Friction Plate A	6	004/007	
72.100	1058 270 025	Friction Plate B	6	004/007	
73.010/200	1058 270 025	Friction Plate D	4	004/007	
74.060	1058 270 025	Friction Plate E	5	004/007	
75.010/190	1058 270 020	Friction Plate C	4	004/007	
77.090	1055 270 069	Friction Plate F	6	004/007	

### 5HP24A Fiber Clutch Kit – 1058 298 015

Pos #	ZF Part #	Description	Qty	Where used (1058 020 ___)	Notes
70.110	1058 270 028	Friction Plate A	6	All (except 004/007)	
72.100	1058 270 029	Friction Plate B	6	All (except 004/007)	
73.010/200	1058 270 029	Friction Plate D	5	All (except 004/007)	009/014/015/021/029/030/031/ 033 use 4 pieces
74.060	1058 270 029	Friction Plate E	5	All (except 004/007)	
75.010/190	1058 270 028	Friction Plate C	4	All (except 004/007)	
77.090	1055 270 072	Friction Plate F	6	All (except 004/007)	

### 5HP24A Steel Kit – 1058 298 016

Pos #	ZF Part #	Description	Qty	Where used (1058 020 ___)	Notes
70.100	1058 370 053	Steel Plate A	6	004/007	
70.120	1058 370 057	End Plate A	1	All	
72.090	1058 370 050	Steel Plate B	6	004/007	
72.110	1058 370 049	End Plate B	1	004/007	
73.010/190	1058 370 050	Steel Plate D	4	004/007	
73.010/210	1058 370 049	End Plate D	1	004/007	
74.050	1058 370 050	Steel Plate E	5	004/007	
74.070	1058 370 049	End Plate E	1	004/007	
75.010/180	1058 370 053	Steel Plate C	4	004/007	
75.010/200	1058 370 052	End Plate C	1	004/007	
77.080	1055 374 024	Steel Plate F	6	004/007	
77.100	1055 376 052	End Plate F	1	004/007	

**Note:** Above listed parts are not sold individually.



## 5HP24A Kit Content (continued)

### 5HP24A Steel Kit – 1058 298 017

Pos #	ZF Part #	Description	Qty	Where used (1058 020 ___)	Notes
70.100	1058 370 066	Steel Plate A	6	All (except 004/007)	
70.120	1058 370 057	End Plate A	1	All	
72.090	1058 370 073	Steel Plate B	6	All (except 004/007)	
72.110	1058 370 076	End Plate B	1	All (except 004/007)	
73.010/190	1058 370 073	Steel Plate D	5	All (except 004/007)	
73.010/210	1058 370 076	End Plate D	1	All (except 004/007)	
74.050	1058 370 073	Steel Plate E	5	All (except 004/007)	
74.070	1058 370 076	End Plate E	1	All (except 004/007)	
75.010/180	1058 370 066	Steel Plate C	4	All (except 004/007)	
75.010/200	1058 370 067	End Plate C	1	All (except 004/007)	
77.080	1055 374 030	Steel Plate F	6	All (except 004/007)	
77.100	1055 376 054	End Plate F	1	All (except 004/007)	

### 5HP24A Overhaul Kit – 1058 298 023

Pos #	ZF Part #	Description	Qty	Where used (1058 020 ___)	Notes
01.172	0734 313 060	O-Ring	2	All	
01.350	0734 317 227	Sealing Sleeve	2	All	
01.650	0501 318 572	Screw Plug M10x1	1	All	
01.730	0734 319 623	Shaft Seal	1	All	
03.010/120	0501 318 572	Screw Plug M10x1	1	All	
03.010/130	0734 313 176	O-Ring	1	All	
03.030	1058 303 015	Gasket	1	All	
10.010/140	1055 310 039	Sealing Ring	1	All	
10.010/170	0750 111 254	Shaft Seal	1	All	
10.014	0734 313 178	O-Ring	1	All	
10.020/140	0734 401 248	Piston Ring	2	All	
10.300	0734 313 162	O-Ring	1	All	
10.340	0501 314 585	Protection Cap	2	All	
10.350	0750 112 076	Usit Ring	2	All	
10.360	0750 112 076	Usit Ring	6	All	
27.044	0501 314 645	Rubber Part	1	All	Early valve body
	1068 227 039	Piston	1	All	Late valve body
27.100	1058 327 045	Gasket	1	All	
27.260/116	0501 209 253	O-Ring	2	All	
27.460	0734 313 181	O-Ring	1	All	
32.290	0734 313 137	O-Ring	1	All	
35.070	0734 319 529	Shaft Seal	1	All	
35.146	0734 313 155	O-Ring	1	All	
35.150/120	0734 310 342	Shaft Seal	1	All	
35.220/120	0734 319 419	Shaft Seal	1	All	
35.230/020	0501 313 484	O-Ring	2	All	
35.240	0734 317 262	Sealing Ring	1	All	
35.270	0734 313 207	O-Ring	1	All	

**Note:** Above listed parts are not sold individually.



## 5HP24A Kit Content (continued)

### 5HP24A Overhaul Kit – 1058 298 023 (continued)

Pos #	ZF Part #	Description	Qty	Where used (1058 020 ___)	Notes
35.272	0734 313 207	O-Ring	1	All	
35.300	0636 308 025	Screw Plug M18x1.5	1	All	
36.220	0734 307 291	Sealing Ring	1	All	
36.230/120	0734 319 588	Shaft Seal	1	All	
36.280	1058 336 021	Gasket	1	All	
36.320/010	0734 313 125	O-Ring	1	All	
36.340	0636 308 024	Screw Plug M12x1.5	1	All	
36.350	0636 308 025	Screw Plug M18x1.5	1	All	
37.150/120	0734 319 604	Shaft Seal	1	All	
37.230/150	0734 319 547	Double Seal	1	All	
37.260	1058 337 009	Gasket	1	All	
51.260/010	0634 316 523	O-Ring	1	All	
51.270/010 51.270/020	0734 313 134	O-Ring	4	All	
70.014	0734 313 151	O-Ring	1	All	
70.030	0734 313 148	O-Ring	1	All	
70.040	0734 313 163	O-Ring	1	All	
70.070	0734 313 163	O-Ring	1	All	
72.030	0734 313 175	O-Ring	1	All	
72.040	0734 313 007	O-Ring	1	All	
72.050	0501 315 073	Sealing Ring	1	All	
72.140	0734 317 256	Piston Ring	2	All	
73.010/152	0734 313 169	O-Ring	1	All	
73.010/154	0734 313 180	O-Ring	1	All	
74.012	0734 313 149	O-Ring	1	All	
74.014	0734 313 007	O-Ring	1	All	
74.140	0734 313 198	O-Ring	1	All	
74.150	0734 313 151	O-Ring	1	All	
75.010/130	0734 313 009	O-Ring	1	All	
75.010/140	0734 313 025	O-Ring	1	All	
75.140/120	0301 302 040	O-Ring	2	All	
75.140/130	0734 317 279	Sealing Ring	2	All	
77.140	0734 313 096	O-Ring	1	All	

### 5HP24A Solenoid Kit – 1060 298 034

Pos #	ZF Part #	Description	Qty	Where used (1058 020 ___)	Notes
51.250	0750 132 122	Solenoid Valve	3	All	
51.260	0501 210 060	Pressure Regulator	1	All	
51.260/010	0634 316 523	O-Ring	1	All	
51.270	0501 208 542	Pressure Regulator	4	014/015/021/029/030/ 031/033	
51.270/010 51.270/020	0734 313 134	O-Ring	4	All	

**Note:** Above listed parts are not sold individually.





## 5HP24A Kit Content (continued)

### 5HP24A Filter Kit – 5HP24FKA

Pos #	ZF Part #	Description	Qty	Where used (1058 020 ____)	Notes
03.010/130	0734 313 176	O-Ring	1	All	
03.030	1058 303 015	Gasket	1	All	
27.450	0501 006 460	Filter	1	014/015/021/029/030/ 031/033	
27.460	0734 313 181	O-Ring	1	All	

**Note:** Above listed parts are not sold individually.



## Quotation / Order Form

**FAX FORM TO YOUR PREFERRED ZF PASSENGER CAR TRANSMISSION DISTRIBUTOR**

Purchase Order Date: \_\_\_\_\_ Purchase Order #: \_\_\_\_\_

### Customer Information

Company Name: \_\_\_\_\_ Contact: \_\_\_\_\_  
 Street: \_\_\_\_\_ City, State & Zip: \_\_\_\_\_  
 Phone #: \_\_\_\_\_ Fax #: \_\_\_\_\_  
 Email: \_\_\_\_\_ Customer #: \_\_\_\_\_

### Shipping Information

Ship To: \_\_\_\_\_ Attention: \_\_\_\_\_  
 Street: \_\_\_\_\_ City, State & Zip: \_\_\_\_\_  
 Request Date: \_\_\_\_\_ Ship via: \_\_\_\_\_

### Vehicle Information

Make: \_\_\_\_\_ Model: \_\_\_\_\_  
 Model Year: \_\_\_\_\_ Transmission Spec: \_\_\_\_\_

### Order Information

Line	Qty	Pos. #	ZF Part #	Description / Cust. Ref. No.
1				
2				
3				
4				
5				
6				
7				
8				
9				
10				
11				
12				
13				
14				
15				
16				
17				
18				
19				
20				

Signature: \_\_\_\_\_ Date: \_\_\_\_\_



**Notes**



## Warranty Information

Warranty coverage for ZF passenger car transmission spare parts and kits covers the first 12 months after installation in the vehicle, or 24 months after purchase from ZF Industries, Inc.

Warranty of the product is limited to replacement or repair, if found to be defective in ZF material or workmanship, and specifically does not cover removal, reinstallation, or any costs incidental to the repair of the vehicle, or any kind of consequential damages.

All warranty and/or non-warranty returns must be approved.

## Disclaimer

The specifications and information shown in this catalog have been compiled from accepted and reliable sources and is believed to be accurate at the time of publication. While ZF Industries, Inc. believes this information is correct, no guarantee or warranty is made as to the accuracy of the information and ZF Industries, Inc. cannot and does not accept or assume any responsibilities for errors, omissions, or consequential harm or damages. Replacement parts should not be used when they do not appear to fit. ZF Industries, Inc. disclaims all liability and responsibility for any harm resulting from any such modifications.

## Copyright

Printed in USA – Copyright © 2003 ZF Industries, Inc.

No part of this publication may be reproduced, stored in a retrieval system, or transmitted, in any form or by any means, electronic, mechanical, photocopying, recording, or otherwise, without prior written permission of ZF Industries, Inc.